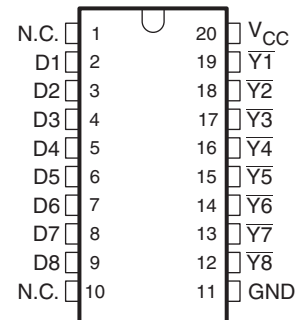


8-BIT DMOS SINK DRIVER

FEATURES

- DMOS Process
- High Voltage Output ($V_{ds} = 30\text{ V}$)
- Output Current on Each Channel ($I_{ds}\text{ Max} = 200\text{ mA}$)
- Latch-Up Performance Exceeds 250 mA Per JEDEC Standard JESD-17
- ESD Protection Exceeds JESD 22
 - 2000-V Human Body Model (A114-A)
 - 200-V Machine Model (A115-A)
 - 1000-V Charged Device Model (C101)
- LED Driver Application
- Output Clamp Diode (Parasitic)

**N OR PW PACKAGE
(TOP VIEW)**


N.C. – Not internally connected

APPLICATIONS

- Lamp and Display (LED)
- Hammer
- Relay

DESCRIPTION

The TLC59211 is an 8-bit LED and solenoid driver designed for 5-V V_{CC} operation.

The TLC59211 is characterized for operation from -40°C to 85°C .

ORDERING INFORMATION⁽¹⁾

T_A	PACKAGE ⁽²⁾		ORDERABLE PART NUMBER	TOP-SIDE MARKING
-40°C to 85°C	PDIP – N	Reel of 1000	TLC59211IN	Y59211
	TSSOP – PW	Reel of 2000	TLC59211IPWR	Y59211

(1) For the most current package and ordering information, see the Package Option Addendum at the end of this document, or see the TI web site at www.ti.com.

(2) Package drawings, thermal data, and symbolization are available at www.ti.com/packaging.

FUNCTION TABLE (EACH LATCH)⁽¹⁾

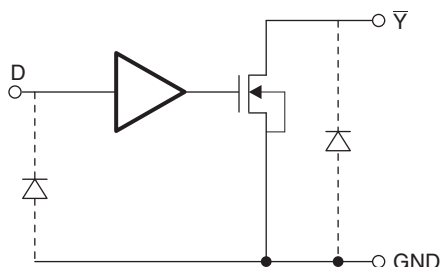
INPUTS	OUTPUT \bar{Y}
D	
L	H*
H	L

- (1) L: Low-level
H: High-level
H*: with pullup resistor

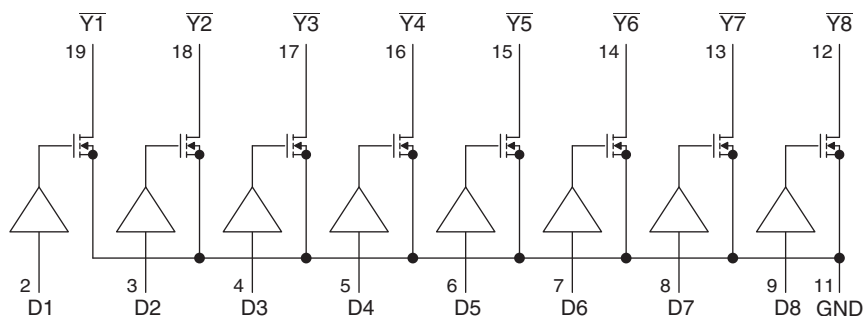


Please be aware that an important notice concerning availability, standard warranty, and use in critical applications of Texas Instruments semiconductor products and disclaimers thereto appears at the end of this data sheet.

OUTPUT SCHEMATIC



LOGIC SYMBOL ⁽¹⁾



(1) This symbol is in accordance with ANSI/IEEE Standard 91-1984 and IEC Publication 617-12.

ABSOLUTE MAXIMUM RATINGS ⁽¹⁾

over operating free-air temperature range (unless otherwise noted)

		MIN	MAX	UNIT		
V_{CC}	Supply voltage range	-0.5	7	V		
D	Input voltage range	-0.5	7	V		
V_{ds}	Output voltage range	H output		-0.5	32	V
I_{ds}	Output current range	1 bit for output low			200	mA
I_{IK}	Input clamp current	$V_I < 0$ V			-20	mA
θ_{JA}	Package thermal impedance ⁽²⁾	N package			69	°C/W
		PW package			83	
Operating free-air temperature range		-40	85			°C
T_{stg}	Storage temperature range	-65	150			°C

- (1) Stresses beyond those listed under "absolute maximum ratings" may cause permanent damage to the device. These are stress ratings only, and functional operation of the device at these or any other conditions beyond those indicated under "recommended operating conditions" is not implied. Exposure to absolute-maximum-rated conditions for extended periods may affect device reliability.
- (2) The package thermal impedance is calculated in accordance with JESD 51-7.

RECOMMENDED OPERATING CONDITIONS

 $V_{CC} = 3\text{ V to }5.5\text{ V}$

		CONDITIONS	MIN	MAX	UNIT	
V_{CC}	Supply voltage		3	5.5	V	
V_{IH}	High-level input voltage		$V_{CC} \times 0.7$	V_{CC}	V	
V_{IL}	Low-level input voltage		0	$V_{CC} \times 0.3$	V	
V_{ds}	Output voltage			30	V	
I_{ds}	Output current	N package	Duty cycle < 42%		200	mA
			Duty cycle < 100%		130	
		PW package	Duty cycle < 24%		200	
			Duty cycle < 100%		95	
T_A	Operating free-air temperature		-40	85	°C	

ELECTRICAL CHARACTERISTICS

 over recommended operating free-air temperature range, $V_{CC} = 4.5\text{ V to }5.5\text{ V}$, $T_A = -40^\circ\text{C to }85^\circ\text{C}$ (unless otherwise noted)

PARAMETER	TEST CONDITIONS	MIN	TYP	MAX	UNIT
V_{t+}	Positive-going input threshold D, $\overline{\text{CLR}}$, CLK			3.5	V
V_{t-}	Negative-going input threshold D, $\overline{\text{CLR}}$, CLK	1.5			V
V_t	Hysteresis D, $\overline{\text{CLR}}$, CLK	0.5		2	V
I_{IH}	High-level input current $V_{CC} = 5.5\text{ V}$, $V_I = 5.5\text{ V}$		0	1	μA
I_{IL}	Low-level input current $V_{CC} = 5.5\text{ V}$, $V_I = 0\text{ V}$		0	-1	μA
I_{OZ}	Leakage current $V_{ds} = 30\text{ V}$			5	μA
I_{off}	Leakage current $V_I = 0\text{ to }5\text{ V}$, $V_O = 0\text{ to }30\text{ V}$, $V_{CC} = 0$		0	5	μA
I_{CC}	Supply current $V_I = 0\text{ to }5\text{ V}$, $V_O = 0\text{ to }30\text{ V}$, $V_{CC} = 0$	Output = all OFF	0	5	μA
		Output = all ON	0	5	
V_{OL}	Low-level output voltage $V_{CC} = 4.5\text{ V}$, $I_O = 100\text{ mA}$		0.2	0.35	V
		$V_{CC} = 4.5\text{ V}$, $I_O = 200\text{ mA}$	0.5	0.7	V
r_{ON}	ON-state resistance $V_{CC} = 4.5\text{ V}$, $I_O = 100\text{ mA}$		2	3.5	Ω
C_i	Input capacitance $V_I = V_{CC}\text{ or GND}$		5		pF

SWITCHING CHARACTERISTICS

 over operating free-air temperature range, $V_{CC} = 4.5\text{ V to }5.5\text{ V}$, $T_A = -40^\circ\text{C to }85^\circ\text{C}$ (unless otherwise noted)

PARAMETER	TEST CONDITIONS	LOAD CAPACITANCE	$T_A = 25^\circ\text{C}$			$T_A = -40^\circ\text{C to }85^\circ\text{C}$		UNIT
			MIN	TYP	MAX	MIN	MAX	
t_{TLH}	Output = low to high	$C_L = 30\text{ pF}$, $R_L = 240\ \Omega$, 24-V pullup		180	220		260	ns
t_{THL}	Output = high to low	$C_L = 30\text{ pF}$, $R_L = 240\ \Omega$, 24-V pullup		290	430		460	ns
t_{PLH}	Output = low to high	$C_L = 30\text{ pF}$, $R_L = 240\ \Omega$, 24-V pullup		320	470		510	ns
t_{PHL}	Output = high to low	$C_L = 30\text{ pF}$, $R_L = 240\ \Omega$, 24-V pullup		320	470		510	ns

ELECTRICAL CHARACTERISTICS

over recommended operating free-air temperature range, $V_{CC} = 3\text{ V to }3.6\text{ V}$, $T_A = -40^\circ\text{C to }85^\circ\text{C}$ (unless otherwise noted)

PARAMETER		TEST CONDITIONS	MIN	TYP	MAX	UNIT	
V_{t+}	Positive-going input threshold	D			2.52	V	
V_{t-}	Negative-going input threshold	D	0.9			V	
V_t	Hysteresis	D	0.33		1.32	V	
I_{IH}	High-level input current	$V_{CC} = 3.6\text{ V}$, $V_I = 3.6\text{ V}$		0	1	μA	
I_{IL}	Low-level input current	$V_{CC} = 3.6\text{ V}$, $V_I = 0\text{ V}$		0	-1	μA	
I_{OZ}	Leakage current	$V_{ds} = 30\text{ V}$			5	μA	
I_{off}	Leakage current	$V_I = 0\text{ to }3.6\text{ V}$, $V_O = 0\text{ to }30\text{ V}$, $V_{CC} = 0$		0	5	μA	
I_{CC}	Supply current	$V_I = 0\text{ to }3.6\text{ V}$, $V_{CC} = 3.6\text{ V}$	Output = all OFF		0	5	μA
			Output = all ON		0	5	
V_{OL}	Low-level output voltage	$V_{CC} = 3\text{ V}$, $I_{OL} = 100\text{ mA}$			0.35	0.7	V
							V
r_{ON}	ON-state resistance	$V_{CC} = 3\text{ V}$, $I_O = 100\text{ mA}$		3.5	7	Ω	
C_i	Input capacitance	$V_I = V_{CC}\text{ or GND}$		5		pF	

SWITCHING CHARACTERISTICS

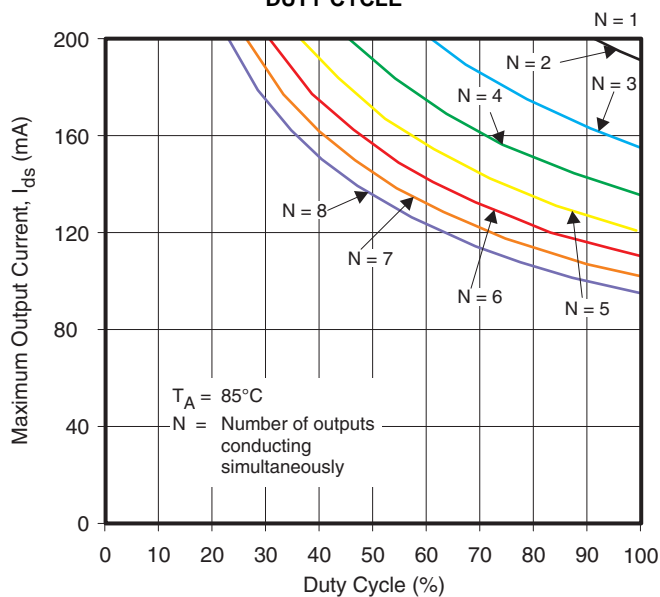
over operating free-air temperature range, $V_{CC} = 3\text{ V to }3.6\text{ V}$, $T_A = -40^\circ\text{C to }85^\circ\text{C}$ (unless otherwise noted)

PARAMETER	TEST CONDITIONS	LOAD CAPACITANCE	$T_A = 25^\circ\text{C}$			$T_A = -40^\circ\text{C to }85^\circ\text{C}$		UNIT
			MIN	TYP	MAX	MIN	MAX	
t_{TLH}	Output = low to high	$C_L = 30\text{ pF}$, $R_L = 240\ \Omega$, 24-V pullup		200	450		450	ns
t_{THL}	Output = high to low	$C_L = 30\text{ pF}$, $R_L = 240\ \Omega$, 24-V pullup		300	450		480	ns
t_{PLH}	Output = low to high	$C_L = 30\text{ pF}$, $R_L = 240\ \Omega$, 24-V pullup		450	650		800	ns
t_{PHL}	Output = high to low	$C_L = 30\text{ pF}$, $R_L = 240\ \Omega$, 24-V pullup		450	650		800	ns

THERMAL INFORMATION

MAXIMUM OUTPUT CURRENT

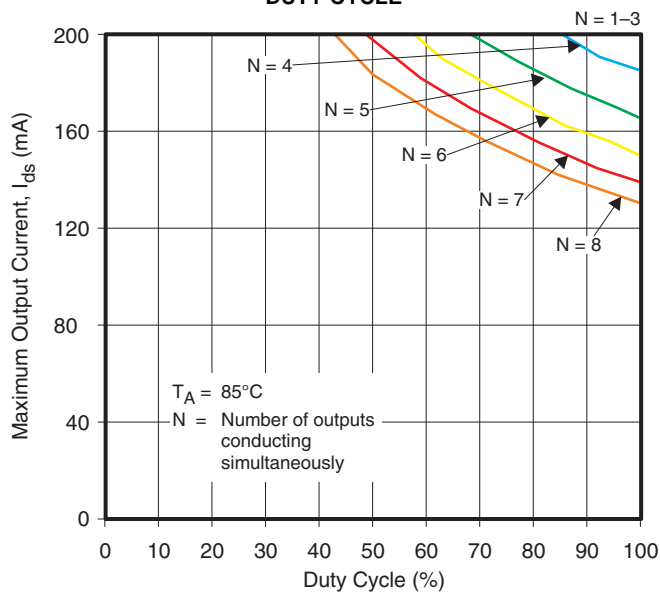
vs
DUTY CYCLE



TSSOP (PW) PACKAGE

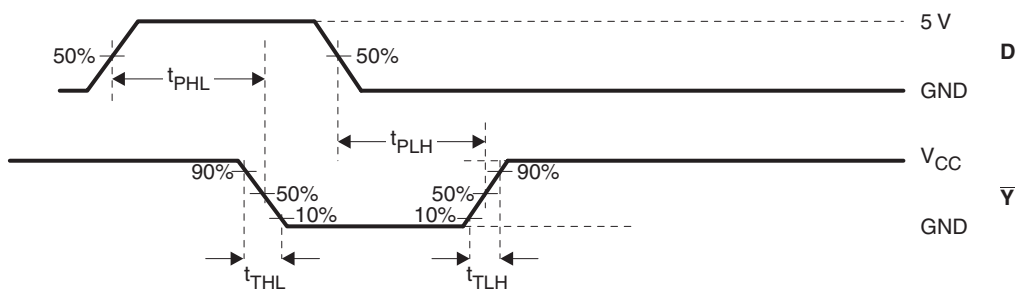
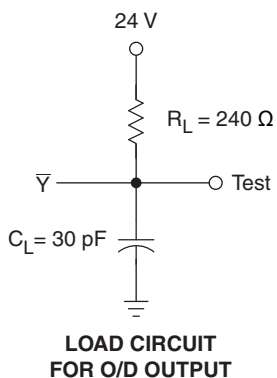
MAXIMUM OUTPUT CURRENT

vs
DUTY CYCLE



DIP (N) PACKAGE

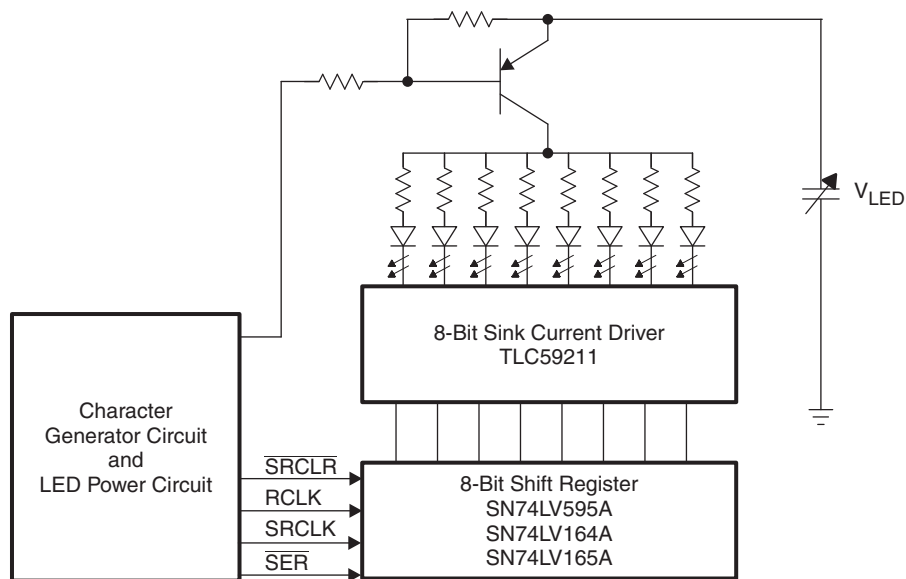
PARAMETER MEASUREMENT INFORMATION



- A. C_L includes probe and jig capacitance.
- B. Waveform 1 is for an output with internal conditions such that the output is low except when disabled by the output control. Waveform 2 is for an output with internal conditions such that the output is high except when disabled by the output control.
- C. All input pulses are supplied by generators having the following characteristics: $PRR \leq 1$ MHz, $Z_O = 50 \Omega$, $t_r \leq 3$ ns, and $t_f \leq 3$ ns.
- D. The outputs are measured one at a time with one transition per measurement.
- E. t_{PLH} and t_{PHL} are the same as t_{pd} .

Figure 1. Test Circuit and Voltage Waveforms

APPLICATION INFORMATION



PACKAGING INFORMATION

Orderable Device	Status ⁽¹⁾	Package Type	Package Drawing	Pins	Package Qty	Eco Plan ⁽²⁾	Lead/Ball Finish	MSL Peak Temp ⁽³⁾
TLC59211IN	ACTIVE	PDIP	N	20	20	Pb-Free (RoHS)	CU NIPDAU	N / A for Pkg Type
TLC59211IPWR	ACTIVE	TSSOP	PW	20	2000	Green (RoHS & no Sb/Br)	CU NIPDAU	Level-1-260C-UNLIM

⁽¹⁾ The marketing status values are defined as follows:

ACTIVE: Product device recommended for new designs.

LIFEBUY: TI has announced that the device will be discontinued, and a lifetime-buy period is in effect.

NRND: Not recommended for new designs. Device is in production to support existing customers, but TI does not recommend using this part in a new design.

PREVIEW: Device has been announced but is not in production. Samples may or may not be available.

OBsolete: TI has discontinued the production of the device.

⁽²⁾ Eco Plan - The planned eco-friendly classification: Pb-Free (RoHS), Pb-Free (RoHS Exempt), or Green (RoHS & no Sb/Br) - please check <http://www.ti.com/productcontent> for the latest availability information and additional product content details.

TBD: The Pb-Free/Green conversion plan has not been defined.

Pb-Free (RoHS): TI's terms "Lead-Free" or "Pb-Free" mean semiconductor products that are compatible with the current RoHS requirements for all 6 substances, including the requirement that lead not exceed 0.1% by weight in homogeneous materials. Where designed to be soldered at high temperatures, TI Pb-Free products are suitable for use in specified lead-free processes.

Pb-Free (RoHS Exempt): This component has a RoHS exemption for either 1) lead-based flip-chip solder bumps used between the die and package, or 2) lead-based die adhesive used between the die and leadframe. The component is otherwise considered Pb-Free (RoHS compatible) as defined above.

Green (RoHS & no Sb/Br): TI defines "Green" to mean Pb-Free (RoHS compatible), and free of Bromine (Br) and Antimony (Sb) based flame retardants (Br or Sb do not exceed 0.1% by weight in homogeneous material)

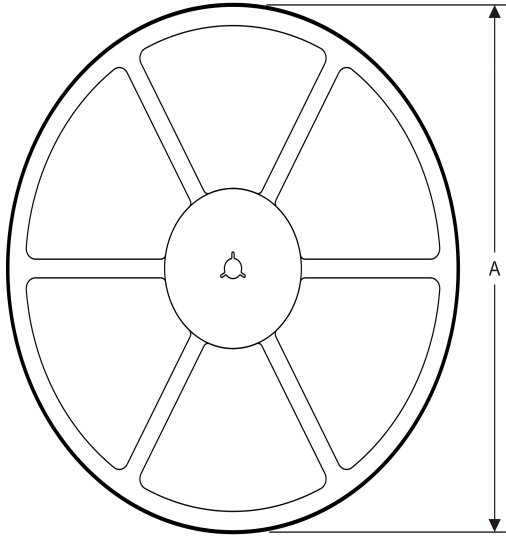
⁽³⁾ MSL, Peak Temp. -- The Moisture Sensitivity Level rating according to the JEDEC industry standard classifications, and peak solder temperature.

Important Information and Disclaimer: The information provided on this page represents TI's knowledge and belief as of the date that it is provided. TI bases its knowledge and belief on information provided by third parties, and makes no representation or warranty as to the accuracy of such information. Efforts are underway to better integrate information from third parties. TI has taken and continues to take reasonable steps to provide representative and accurate information but may not have conducted destructive testing or chemical analysis on incoming materials and chemicals. TI and TI suppliers consider certain information to be proprietary, and thus CAS numbers and other limited information may not be available for release.

In no event shall TI's liability arising out of such information exceed the total purchase price of the TI part(s) at issue in this document sold by TI to Customer on an annual basis.

TAPE AND REEL INFORMATION

REEL DIMENSIONS



TAPE DIMENSIONS



A0	Dimension designed to accommodate the component width
B0	Dimension designed to accommodate the component length
K0	Dimension designed to accommodate the component thickness
W	Overall width of the carrier tape
P1	Pitch between successive cavity centers

TAPE AND REEL INFORMATION

*All dimensions are nominal

Device	Package Type	Package Drawing	Pins	SPQ	Reel Diameter (mm)	Reel Width W1 (mm)	A0 (mm)	B0 (mm)	K0 (mm)	P1 (mm)	W (mm)	Pin1 Quadrant
TLC59211IPWR	TSSOP	PW	20	2000	330.0	16.4	6.95	7.1	1.6	8.0	16.0	Q1

TAPE AND REEL BOX DIMENSIONS


*All dimensions are nominal

Device	Package Type	Package Drawing	Pins	SPQ	Length (mm)	Width (mm)	Height (mm)
TLC59211PWR	TSSOP	PW	20	2000	367.0	367.0	38.0

PW (R-PDSO-G20)

PLASTIC SMALL OUTLINE



4040064-5/G 02/11

- NOTES:
- A. All linear dimensions are in millimeters. Dimensioning and tolerancing per ASME Y14.5M-1994.
 - B. This drawing is subject to change without notice.
 - C. Body length does not include mold flash, protrusions, or gate burrs. Mold flash, protrusions, or gate burrs shall not exceed 0,15 each side.
 - D. Body width does not include interlead flash. Interlead flash shall not exceed 0,25 each side.
 - E. Falls within JEDEC MO-153

PW (R-PDSO-G20)

PLASTIC SMALL OUTLINE



- NOTES:
- A. All linear dimensions are in millimeters.
 - B. This drawing is subject to change without notice.
 - C. Publication IPC-7351 is recommended for alternate design.
 - D. Laser cutting apertures with trapezoidal walls and also rounding corners will offer better paste release. Customers should contact their board assembly site for stencil design recommendations. Refer to IPC-7525 for other stencil recommendations.
 - E. Customers should contact their board fabrication site for solder mask tolerances between and around signal pads.

IMPORTANT NOTICE

Texas Instruments Incorporated and its subsidiaries (TI) reserve the right to make corrections, enhancements, improvements and other changes to its semiconductor products and services per JESD46C and to discontinue any product or service per JESD48B. Buyers should obtain the latest relevant information before placing orders and should verify that such information is current and complete. All semiconductor products (also referred to herein as "components") are sold subject to TI's terms and conditions of sale supplied at the time of order acknowledgment.

TI warrants performance of its components to the specifications applicable at the time of sale, in accordance with the warranty in TI's terms and conditions of sale of semiconductor products. Testing and other quality control techniques are used to the extent TI deems necessary to support this warranty. Except where mandated by applicable law, testing of all parameters of each component is not necessarily performed.

TI assumes no liability for applications assistance or the design of Buyers' products. Buyers are responsible for their products and applications using TI components. To minimize the risks associated with Buyers' products and applications, Buyers should provide adequate design and operating safeguards.

TI does not warrant or represent that any license, either express or implied, is granted under any patent right, copyright, mask work right, or other intellectual property right relating to any combination, machine, or process in which TI components or services are used. Information published by TI regarding third-party products or services does not constitute a license to use such products or services or a warranty or endorsement thereof. Use of such information may require a license from a third party under the patents or other intellectual property of the third party, or a license from TI under the patents or other intellectual property of TI.

Reproduction of significant portions of TI information in TI data books or data sheets is permissible only if reproduction is without alteration and is accompanied by all associated warranties, conditions, limitations, and notices. TI is not responsible or liable for such altered documentation. Information of third parties may be subject to additional restrictions.

Resale of TI components or services with statements different from or beyond the parameters stated by TI for that component or service voids all express and any implied warranties for the associated TI component or service and is an unfair and deceptive business practice. TI is not responsible or liable for any such statements.

Buyer acknowledges and agrees that it is solely responsible for compliance with all legal, regulatory and safety-related requirements concerning its products, and any use of TI components in its applications, notwithstanding any applications-related information or support that may be provided by TI. Buyer represents and agrees that it has all the necessary expertise to create and implement safeguards which anticipate dangerous consequences of failures, monitor failures and their consequences, lessen the likelihood of failures that might cause harm and take appropriate remedial actions. Buyer will fully indemnify TI and its representatives against any damages arising out of the use of any TI components in safety-critical applications.

In some cases, TI components may be promoted specifically to facilitate safety-related applications. With such components, TI's goal is to help enable customers to design and create their own end-product solutions that meet applicable functional safety standards and requirements. Nonetheless, such components are subject to these terms.

No TI components are authorized for use in FDA Class III (or similar life-critical medical equipment) unless authorized officers of the parties have executed a special agreement specifically governing such use.

Only those TI components which TI has specifically designated as military grade or "enhanced plastic" are designed and intended for use in military/aerospace applications or environments. Buyer acknowledges and agrees that any military or aerospace use of TI components which have **not** been so designated is solely at the Buyer's risk, and that Buyer is solely responsible for compliance with all legal and regulatory requirements in connection with such use.

TI has specifically designated certain components which meet ISO/TS16949 requirements, mainly for automotive use. Components which have not been so designated are neither designed nor intended for automotive use; and TI will not be responsible for any failure of such components to meet such requirements.

Products

Audio	www.ti.com/audio
Amplifiers	amplifier.ti.com
Data Converters	dataconverter.ti.com
DLP® Products	www.dlp.com
DSP	dsp.ti.com
Clocks and Timers	www.ti.com/clocks
Interface	interface.ti.com
Logic	logic.ti.com
Power Mgmt	power.ti.com
Microcontrollers	microcontroller.ti.com
RFID	www.ti-rfid.com
OMAP Mobile Processors	www.ti.com/omap
Wireless Connectivity	www.ti.com/wirelessconnectivity

Applications

Automotive and Transportation	www.ti.com/automotive
Communications and Telecom	www.ti.com/communications
Computers and Peripherals	www.ti.com/computers
Consumer Electronics	www.ti.com/consumer-apps
Energy and Lighting	www.ti.com/energy
Industrial	www.ti.com/industrial
Medical	www.ti.com/medical
Security	www.ti.com/security
Space, Avionics and Defense	www.ti.com/space-avionics-defense
Video and Imaging	www.ti.com/video

TI E2E Community e2e.ti.com