

- **1.6 to 2.5 Gigabits Per Second (Gbps) Serializer/Deserializer**
- **Hot Plug Protection**
- **High-Performance 64-Pin VQFP Thermally Enhanced Package (PowerPAD™)**
- **2.5-V Power Supply for Low-Power Operation**
- **Programmable Voltage Output Swing on Serial Output**
- **Interfaces to Back Plane, Copper Cables or Optical Converters**
- **On-Chip 8B/10B Encoding/Decoding, Comma and Synch**
- **On-Chip PLL Provides Clock Synthesis From Low-Speed Reference**
- **Receiver Differential Input Thresholds 200 mV Min**
- **Typical Power 350 mW**
- **16-Bit Parallel LV TTL (3.3 V) Compatible Data Interface**
- **Transmitter Pre-Emphasis/De-Emphasis for Improved Signal Integrity**
- **Rated for Industrial Temperature Range**
- **Ideal for High-Speed Back Plane Interconnect and Point-to-Point Data Links**

description

The TLK2500 multigigabit transceiver can be used for ultra-high-speed bidirectional point-to-point data transmissions. The TLK2500 supports an effective serial interface speed of 1.6 Gbps to 2.5 Gbps.

The primary application of this chip is to provide very high-speed I/O data channels for point-to-point baseband data transmission over controlled impedance media of approximately 50 Ω. The transmission media can be printed-circuit board, copper cables, or fiber-optic cable. The maximum rate and distance of data transfer is dependent upon the attenuation characteristics of the media and the noise coupling to the environment.

This device can also be used to replace parallel data transmission architectures by providing a reduction in the number of traces, connector pins, and transmit/receive pins. Parallel data loaded into the transmitter is delivered to the receiver over a serial channel, which can be a coaxial copper cable, a controlled impedance back plane, or an optical link. It is then reconstructed into its original parallel format. It offers significant power and cost savings over current solutions as well as scalability for higher and lower data rates in the future.

The TLK2500 performs the data parallel-to-serial, serial-to-parallel conversion, and clock extraction functions for a physical layer interface device. The serial transceiver interface operates at a maximum speed of 2.5 Gbps. The transmitter latches 16-bit parallel data at a rate based on the supplied reference clock. The 16-bit parallel data is internally encoded into 20 bits using an 8B/10B encoding format. The resulting 20-bit word is then transmitted differentially at 20x the reference clock rate. The receiver section performs the serial-to-parallel conversion on the input data synchronizing the resulting 20-bit wide parallel data to the extracted reference clock. It then decodes the 20-bit wide data using 8B/10B decoding format resulting in 16 bits of parallel data at the receive data pins. This results in an effective data payload of 1.28 Gbps to 2 Gbps (16-bit data × clock rate).

The TLK2500 is housed in a high-performance, thermally enhanced, 64-pin VQFP PowerPAD package. Use of the PowerPAD package does not require any special considerations except to note that the PowerPAD, which is an exposed die pad on the bottom of the device, is a metallic thermal and electrical conductor. It is recommended that the TLK2500 PowerPAD be soldered to the thermal land on the board. All ac performance specifications in this datasheet are measured with the PowerPAD soldered to the test board.

The TLK2500 uses a 2.5 V supply. The I/O section is 3.3-V compatible. With the 2.5 V supply, the chipset is very power efficient dissipating less than 350 mW typically.

The TLK2500 is designed to be hot-plug capable. A power-on reset holds the receiver clock low and puts the parallel-side output signal pins into a high-impedance state during power up as well as serial outputs.



Please be aware that an important notice concerning availability, standard warranty, and use in critical applications of Texas Instruments semiconductor products and disclaimers thereto appears at the end of this data sheet.

PowerPAD is a trademark of Texas Instruments Incorporated.

PRODUCTION DATA information is current as of publication date. Products conform to specifications per the terms of Texas Instruments standard warranty. Production processing does not necessarily include testing of all parameters.



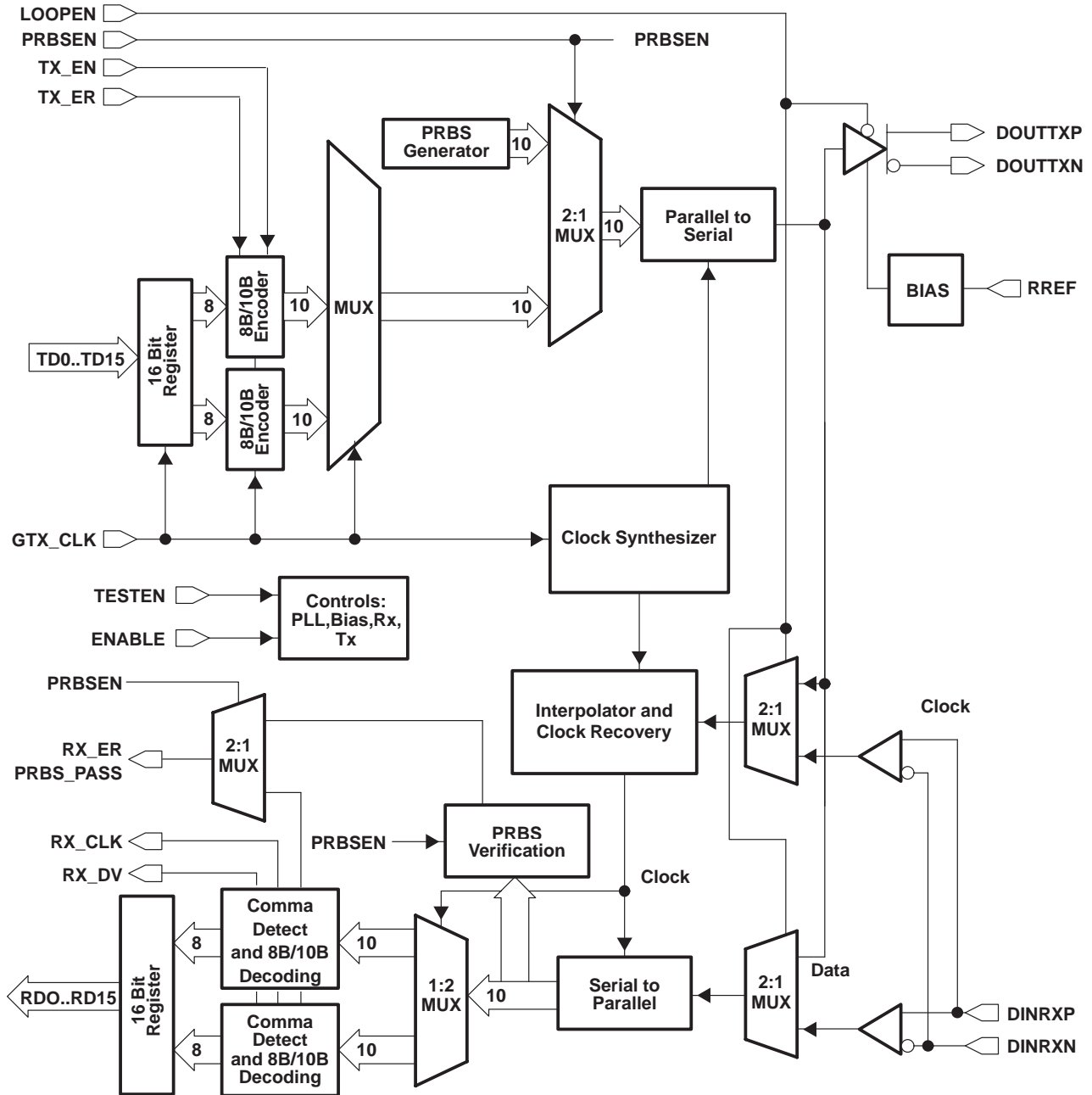
POST OFFICE BOX 655303 • DALLAS, TEXAS 75265

Copyright © 2000, Texas Instruments Incorporated

TLK2500IRCP 1.6 Gbps to 2.5 Gbps TRANSCEIVER

SLLS356B – JUNE 1999 – REVISED JANUARY 2000

block diagram



transmit interface

The transmitter portion registers incoming 16-bit wide data (TXD[0:15]) on the rising edge of GTX_CLK. The data is then 8B/10B encoded, serialized and transmitted sequentially over the differential high speed I/O channel. The clock multiplier, multiplies the reference clock (GTX_CLK) by a factor of 10 times, providing a signal which is fed to the parallel-to-serial shift register. Data is transmitted LSB (D0) first. The transmitter also outputs commas when the link is idle for byte synchronization. The transmitter depends on the receive side being active to achieve link synchronization. This provides automatic sync and resync during normal operation, as needed. The LCKREFN pin can be used to override this feature.

low-speed data bus

The transmit bus interface accepts 16 bit wide single-ended TTL parallel data at the TXD[0–15] pins. Data is valid on the rising edge of GTX_CLK when TX_EN is asserted high. The GTX_CLK is used as the byte clock. The data, enable and clock signals must be properly aligned as shown in Figure 1. Detailed timing information can be found in the TTL input switching characteristics table.

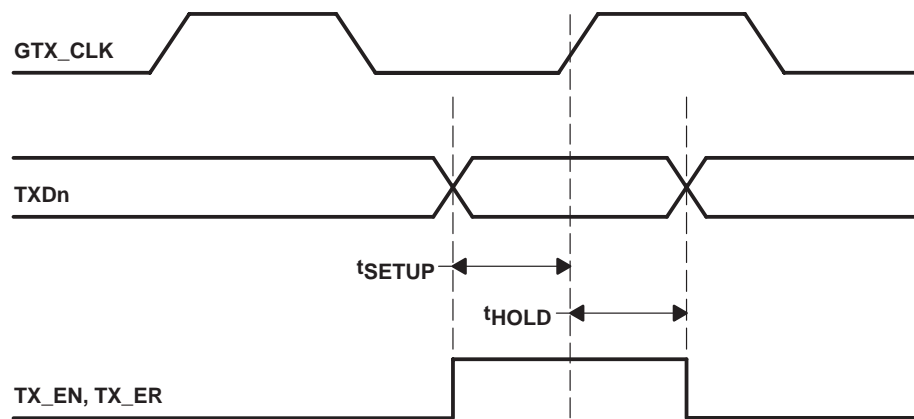
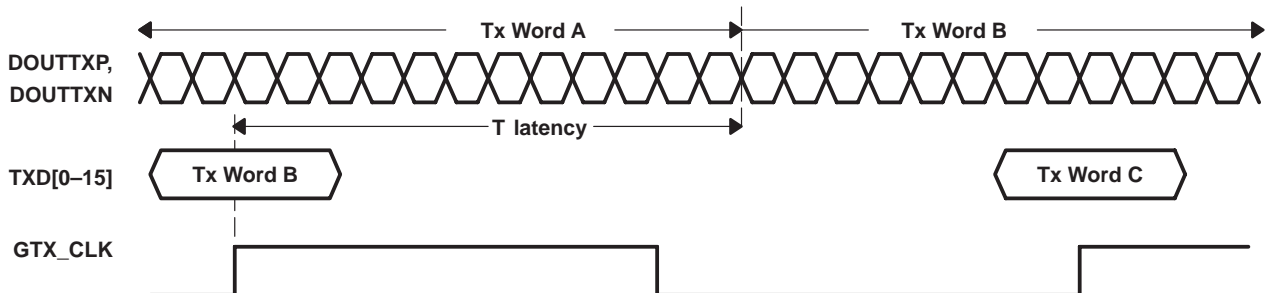


Figure 1. Transmit Timing Waveform

transmission latency

The data transmission latency of the TLK2500 is defined as the delay from the initial 16-bit word load to the serial transmission of bit 0. The minimum latency is 34 bit times; the maximum is 38 bit times.



† This figure for illustration only. $T_{latency}$ is larger than shown.

Figure 2. Transmitter Latency

TLK2500IRCP

1.6 Gbps to 2.5 Gbps TRANSCEIVER

SLLS356B – JUNE 1999 – REVISED JANUARY 2000

transmit interface (continued)

8b/10b encoder

All true serial interfaces require a method of encoding to insure minimum transition density so that the receiving PLL has a minimal number of transitions in which to stay locked on. The encoding scheme maintains the signal dc balance by keeping the number of ones and zeros the same. This provides good transition density for clock recovery and improves error checking. The TLK2500 uses the 8B/10B encoding algorithm that is used by Fibre channel and gigabit ethernet. This is transparent to the user as the TLK2500 devices internally encode and decode the data such that the user reads and writes actual 16-bit data.

The 8B/10B encoder converts 8 bit wide data to a 10 bit wide encoded data character to improve its transmission characteristics. Since the TLK2500 is a 16 bit wide interface the data is split into two 8 bit wide bytes for encoding. Each byte is fed into a separate encoder. The encoding is dependant upon two additional input signals, TX_EN and TX_ER. When TX_EN is asserted and TX_ER is deasserted then the data bits TXD[0–15] are encoded and transmitted normally. When TX_EN is deasserted and TX_ER is asserted, then the encoder will generate a carrier extend consisting of two K23.7 codes. If TX_EN and TX_ER are both asserted then the encoder will generate an error event. This error event consists of one or more code-groups that are not part of the valid data or delimiter set somewhere in the frame being transmitted. Table 1 provides the transmit data control decoding.

Table 1. Transmit Data Controls

TX_EN	TX_ER	ENCODED 10 BIT OUTPUT
0	0	IDLE (<K28.5, D5.6>,<K28.5, D16.2>)
0	1	Carrier extend (K23.7)
1	0	Normal data character
1	1	Transmit error propagation (invalid code group)

IDLE generation

The encoder sends the IDLE character set when no payload data is available to be sent and TX_EN/TX_ER are deasserted. IDLE consists of a K28.5 code and either a D5.6 or D16.2 character. Since data is latched into the TLK2500 16 bits at a time, this in turn is converted into two 10 bit codes that are transmitted sequentially. This means IDLE consists of two 10 bit codes, being 20 bits wide that is transmitted during a single GTX_CLK cycle. IDLE will replace data during initial synchronization or resync, until synchronization is achieved (see synchronization and initialization).

PRBS generator

The TLK2500 has a pseudo random bit stream (PRBS) function. When the PRBSEN pin is forced high, the PRBS test is enabled. A PRBS is generated and fed into the 10 bit parallel-to-serial converter input register. Data from the normal input source is ignored during the PRBS mode. The PRBS pattern is then fed through the transmit circuitry as if it were normal data and sent out to the transmitter. The output can be sent to a bit error rate tester (BERT) or to the receiver of another TLK2500. Since the PRBS is not really random but a predetermined sequence of ones and zeroes the data can be captured and checked for errors by a BERT. Results are reported on the RX_ER/PRBSPASS pin.

parallel to serial

The parallel-to-serial shift register takes in 10 bit wide data multiplexed from the two 8B/10B encoders and converts it to a serial stream. The shift register is clocked by the internally generated bit clock, which is 10 × the GTX_CLK input frequency. The LSB (D0) is transmitted first.



POST OFFICE BOX 655303 • DALLAS, TEXAS 75265

transmit interface (continued)

high-speed data output

The high speed data output driver consists of a differential pair (CML) that can be optimized for a particular transmission line impedance and length. The line can be directly coupled or ac coupled. The drivers provide pre-emphasis and de-emphasis. Pre-emphasis is a boost in the serial driver current occurring during a bit transition (either high-to-low or low-to-high). This current is held for one bit time. De-emphasis is a reduction in the serial driver current directly following a pre-emphasis event if there is not a transition after the pre-emphasis event. De-emphasis can be held for multiple bit times if no transition occurs. Refer to Figure 10 and Figure 11 for termination details.

receive interface

The receiver portion of the TLK2500 accepts 8B/10B encoded differential serial data. The interpolator and clock recovery circuit will lock to the data stream and extract the bit rate clock. This recovered clock is used to retime the input data stream. The serial data is then aligned to two separate 10-bit word boundaries, 8B/10B decoded and output on a 16 bit wide parallel bus synchronized to the extracted receive clock.

low-speed data bus

The receive bus interface drives 16 bit wide single-ended TTL parallel data at the RXD[0–15] pins. Data is valid on the rising edge of RX_CLK when RX_DV is asserted high. The RX_CLK is used as the byte clock. The data, enable and clock signals must be properly aligned as shown in Figure 3. Detailed timing information can be found in the TTL output switching characteristics table.

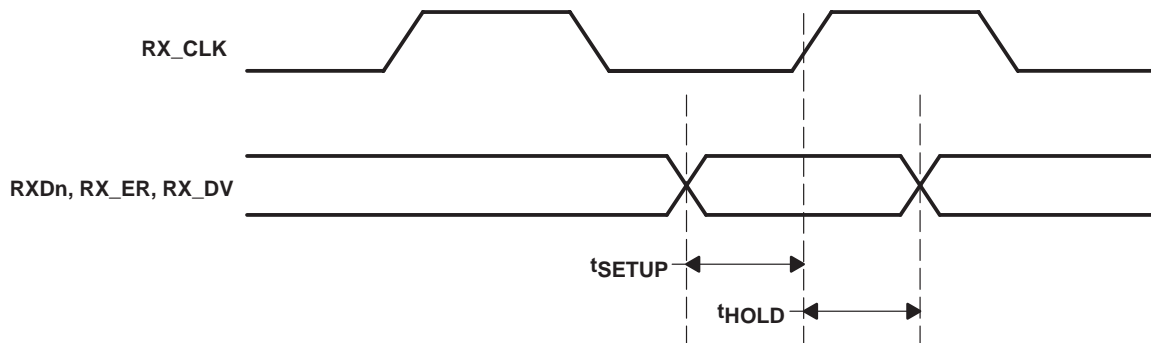


Figure 3. Receive Timing Waveform

data reception latency

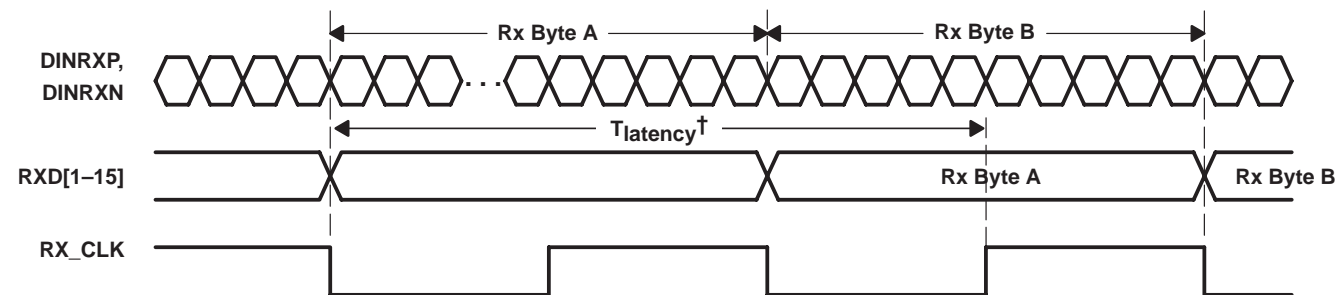
The serial-to-parallel data latency is the time from when the first bit arrives at the receiver until it is output in the aligned parallel word with RXD0 received as first bit. The minimum latency is 76 bit times; the maximum is 107 bit times.

TLK2500IRCP

1.6 Gbps to 2.5 Gbps TRANSCEIVER

SLLS356B – JUNE 1999 – REVISED JANUARY 2000

receive interface (continued)



† This figure for illustration only. $T_{latency}$ is larger than shown.

Figure 4. Receiver Latency

serial to parallel

Serial data is received on the DINRXP, DINRXN pins. The interpolator and clock recovery circuit will lock to the data stream if the clock to be recovered is within ± 200 PPM of the internally generated bit rate clock. The recovered clock is used to retim the input data stream. The serial data is then clocked into the serial-to-parallel shift registers. The 10 bit wide parallel data is then multiplexed and fed into two separate 8B/10B decoders where the data is then synchronized to the incoming data stream word boundary by detection of the K28.5 synchronization pattern.

comma detect and 8b/10b decoding

The 8B/10B decoder converts 10 bit encoded data back into 8 bits. The comma detect circuit is designed to provide for byte synchronization to an 8b/10b transmission code. When parallel data is clocked into a parallel to serial converter, the byte boundary that was associated with the parallel data is now lost in the serialization of the data. When the serial data is received and converted to parallel format again a way is needed to be able to recognize the byte boundary again. Generally this is accomplished through the use of a synchronization pattern. This is generally a unique a pattern of 1's and 0's that either cannot occur as part of valid data or it is a pattern that repeats at defined intervals. 8b/10b encoding contains a character called the comma (b'0011111' or b'1100000') which is used by the comma detect circuit to align the received serial data back to its original byte boundary. The decoder detects the K28.5 comma, generating a synchronization signal aligning the data to their 10 bit boundaries for decoding. It then converts the data back into 8 bit data, removing the control words. The output from the two decoders are latched into the 16 bit register synchronized to the recovered parallel data clock (RX_CLK) and valid on the rising edge of RX_CLK.

The decoding generates the data bits RXD[0:15] and two additional status signals, RX_DV and RX_ER. When RX_DV is asserted and RX_ER is deasserted, a valid data word has been received and output on the RXDx pins. When RX_DV is deasserted and RX_ER is asserted, a carrier extend was received and the data bits are set to F7F7h. If RX_DV and RX_ER are both asserted, the decoder has either received an error propagation code (K30.7) or an invalid code. In the former case, the data bits are set to FEFEh. The data bits are set to 0000h if the received code was invalid. When RX_DV and RX_ER are both deasserted, an IDLE was received and the data bits are set to either BCC5h or BC50h.

Table 2. Receive Data Controls

RECEIVED ENCODED 10-BIT INPUT	RX_DV	RX_ER
IDLE (<K28.5, D5.6>, <K28.5, D16.2>)	0	0
Carrier extend (K23.7)	0	1
Normal data character	1	0
Receive error propagation (K30.7)	1	1



receive interface (continued)

synchronization and initialization

The TLK2500 has a synchronization state machine which is responsible for handling link initialization and synchronization. Upon power up or reset, the state machine enters the acquisition (ACQ) state and searches for IDLE. Upon receiving 3 consecutive IDLEs or 3 consecutive carrier extends, the state machine will enter the synchronization (SYNC) state. If the state machine receives valid data or error propagation during the acquisition process, it will immediately transition to the SYNC state. Loss of synchronization occurs whenever four consecutive invalid transmissions have been detected or when four invalid transmissions occur prior to receiving four consecutive valid data groups or IDLEs. A single invalid transmission received while in the SYNC state will cause the state machine to transition to the loss of synchronization (LOS) state, internally. Receiving three additional invalid transmissions before four consecutive valid transmissions occur while in LOS will force the state machine back to the acquisition state. If four consecutive valid transmissions occur, then the state machine will transition to the SYNC state (see Figures 5 and 6).

prbs verification

The TLK2500 also has a built in BERT function in the receiver side that is enabled by PRBSEN. It can check for errors and report errors by forcing the RX_ER/PRBSPASS pin low.

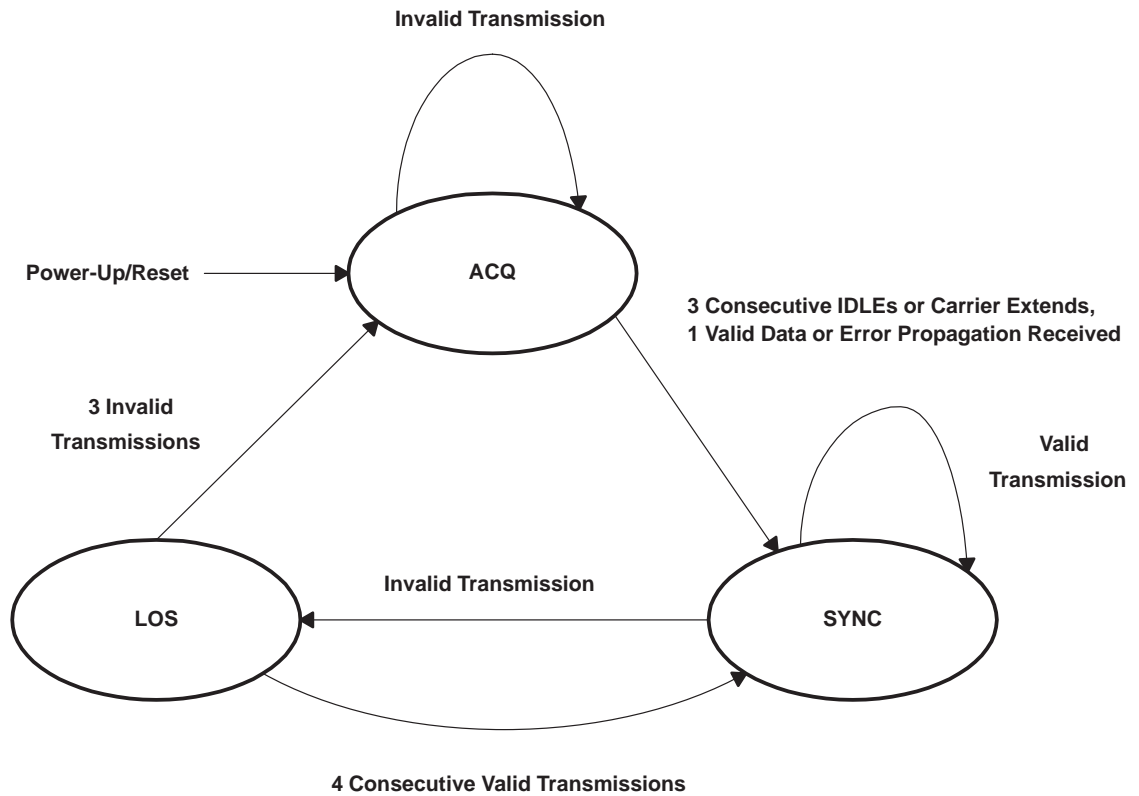


Figure 5. Initialization and Synchronization State Diagram

TLK2500IRCP 1.6 Gbps to 2.5 Gbps TRANSCEIVER

SLLS356B – JUNE 1999 – REVISED JANUARY 2000

receive interface (continued)

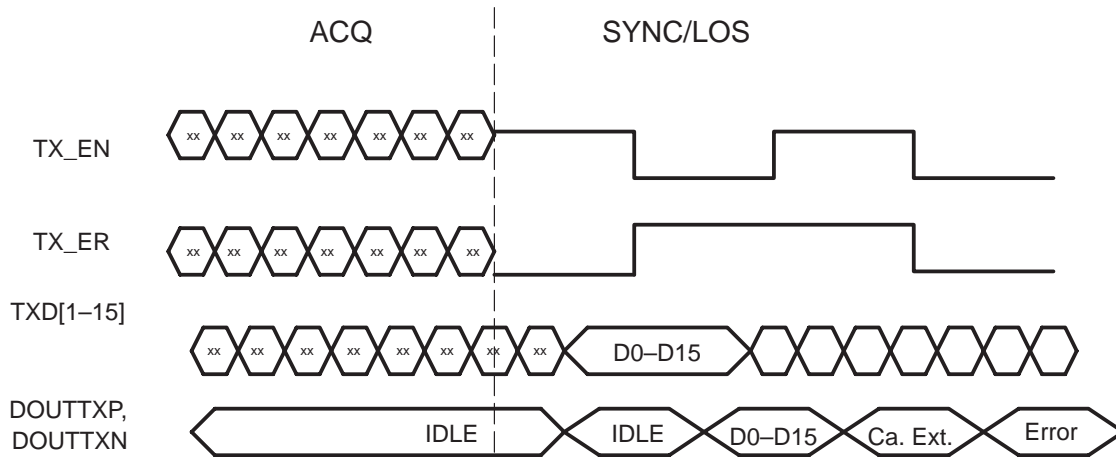


Figure 6. State Machine Timing Diagram

reference clock input

The reference clock (GTX_CLK) is an external input clock that synchronizes the transmitter interface. The reference clock is then multiplied in frequency 10x to produce the internal serialization clock. The internal serialization clock is frequency-locked to the reference clock and used to clock out the serial transmit data.

operating frequency range

The TLK2500 is optimized for operation at a serial data rate of 2.5 Gbit/s. The TLK2500 may operate at a serial data rate between 1.6 Gbit/s to 2.5 Gbit/s. GTX_CLK must be within ± 100 PPM of the desired parallel data rate clock.

testability

The TLK2500 has a comprehensive suite of built-in self-tests. The loopback function provides for at-speed testing of the transmit/receive portions of the circuitry. The enable pin allows for all circuitry to be disabled so that an Iddq test can be performed. The PRBS function allows for a built-in self test (BIST).

enable function

When held low, the ENABLE pin will disable all quiescent power in both the analog and digital circuitry. This allows for Iddq testing on all power supplies and can also be used to conserve power when the link is inactive.

loop-back testing

The transceiver can provide a self-test function by enabling (LOOPEN) the internal loop-back path. Forcing this pin high causes serial transmitted data to be routed internally to the receiver. The parallel data output can be compared to the parallel input data for functional verification. The external differential output is held in a high-impedance state during the loop-back testing.

built in self test

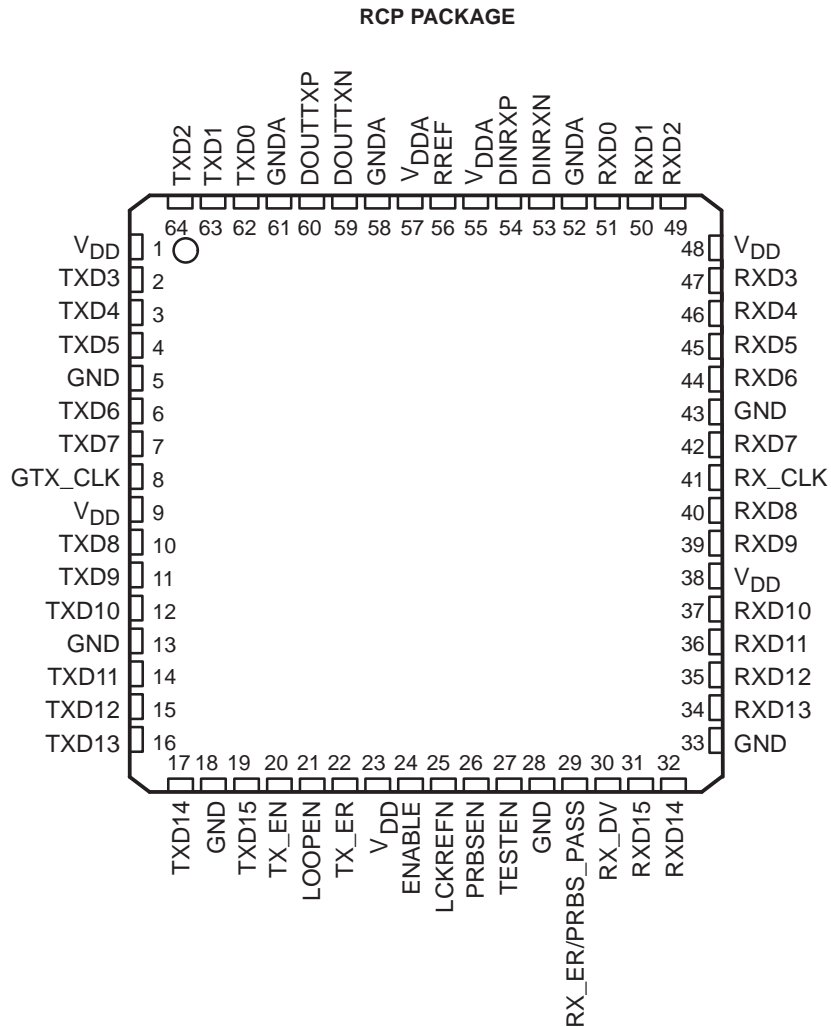
The TLK2500 has a built-in self test (BIST) function. By combining PRBS with loopback, an effective self-test of all the circuitry running at full speed can be realized. The successful completion of the BIST is reported on the RX_ER/PRBS_PASS pin.



power-on reset

Upon application of minimum valid power, the TLK2500 generates a power-on reset. During the power-on reset the RXD, RX_ER and RX_DV signal pins are put into a high-impedance state. RX_CLK is held low. The length of the power-on reset cycle is dependant upon the GTX_CLK frequency but will be less than 1 ms in duration.

pin assignments



TLK2500IRCP

1.6 Gbps to 2.5 Gbps TRANSCEIVER

SLLS356B – JUNE 1999 – REVISED JANUARY 2000

Terminal Functions

TERMINAL NAME	NO.	I/O	DESCRIPTION
DINRXP DINRXN	54 53	Input	Differential input receive. DINRXP and DINRXN together are the differential serial input interface from a copper or an optical I/F module.
DOUTTXP DOUTTXN	60 59	Output 3-state on power up	Differential output transmit. DOUTTXP and DOUTTXN are differential serial outputs that interface to a copper or an optical I/F module. These terminals transmit NRZ data at a rate of 20 times the GTX_CLK value. DOUTTXP and DOUTTXN are put in a high impedance state when LOOPEN is high and are active when LOOPEN is low. During power-on reset these pins are in a high-impedance state.
ENABLE	24	Input	When this pin is held low, the device is disabled for Iddq testing. When high the device operates normally. Should be tied high.
GND	5,13, 18,28, 33,43	Ground	Digital logic ground. Provides a ground for the logic circuits and digital I/O buffers.
GND A	52,58, 61	Ground	Analog ground. GND A provides a ground reference for the high-speed analog circuits, RX and TX.
GTX_CLK	8	Input	Reference clock. GTX_CLK is a continuous external input clock that synchronizes the transmitter interface signals TX_EN, TX_ER and TXD. The frequency range of GTX_CLK is 80 MHz to 125 MHz. The transmitter uses the rising edge of this clock to register the 16-bit input data (TDX) for serialization.
LCKREFN	25	Input (with- pullup)	Lock to reference. When low the receiver clock is frequency locked to REFCLK but may contain a phase offset from REFCLK and the synchronization state machine is bypassed. This places the device in a transmit only mode since the receiver is not tracking the data. When high the receiver is locked to the received data stream and must receive valid codes from the synchronization state machine before the transmitter is enabled.
LOOPEN	21	Input (with pulldown)	Loop enable. When LOOPEN is high (active), the internal loop-back path is activated. The transmitted serial data is directly routed to the inputs of the receiver. This provides a self-test capability in conjunction with the protocol device. The DOUTTXP and DOUTTXN outputs are held in a high impedance state during the loop-back test. LOOPEN is held low during standard operational state with external serial outputs and inputs active.
PRBSEN	26	Input (with pulldown)	Enables the PRBS test. When high results of test can be monitored on the RX_ER/PRBS_PASS pin. A high on PRBS_PASS indicates that valid PRBS is being received. Should be tied low.
RREF	56	Input	The RREF pin is used to connect to an external reference resistor. The other side of the resistor is connected to analog VDD. The resistor is used to provide an accurate current reference to the transmitter I/O circuitry.
RXD0 RXD1 RXD2 RXD3 RXD4 RXD5 RXD6 RXD7 RXD8 RXD9 RXD10 RXD11 RXD12 RXD13 RXD14 RXD15	51 50 49 47 46 45 44 42 40 39 37 36 35 34 32 31	Output (3-state on powerup)	Receive data. These outputs carry 16-bit parallel data output from the transceiver to the Controller, synchronized to RX_CLK. The data is valid on the rising edge of RX_CLK as shown in Figure 3. These pins are in a high-impedance state during power-on reset.
RX_CLK	41	Output (low on powerup)	Output clock that is synchronized to RXD, RX_ER, RX_DV. RX_CLK is the recovered serial data rate clock divided by 20. RX_CLK is held low during power-on reset.



Terminal Functions(Continued)

TERMINAL NAME NO.		I/O	DESCRIPTION
RX_ER/ PRBS_PASS	29	Output (3-state on powerup)	Receive error. Controlled by PRBSEN pin. When PRBSEN= low then pin is used to indicate receive error (RX_ER). When PRBSEN is high then pin indicates status of the PRBS test results (High=pass). RX_ER is in a high-impedance state during power-on reset. When RX_ER and RX_DV are asserted, indicates that an error was detected somewhere in the frame presently being transferred from the PHY. When RX_ER is asserted and RX_DV is deasserted, indicates that carrier extend data is being presented.
RX_DV	30	Output 3-state on power up	Receive data valid. RX_DV is driven by the PHY to indicate that the PHY is presenting recovered and decoded data on RXD. RX_DV shall be asserted continuously from the first recovered doublet of the frame through the final recovered doublet and shall be negated prior to the first rising edge of RX_CLK that follows the final doublet. RX_DV is in a high-impedance state during power-on reset.
TESTEN	27	Input (with pulldown)	Test mode enable, should be tied low.
TXD0 TXD1 TXD2 TXD3 TXD4 TXD5 TXD6 TXD7 TXD8 TXD9 TXD10 TXD11 TXD12 TXD13 TXD14 TXD15	62 63 64 2 3 4 6 7 10 11 12 14 15 16 17 19	Input	Transmit data. These inputs carry the 16-bit parallel data output from a protocol device to the transceiver for encoding, serialization and transmission. This 16-bit parallel data is clocked into the transceiver on the rising edge of GTX_CLK.
TX_EN	20	Input (with pulldown)	Transmit enable. TX_EN in combination with TX_ER indicates the controller is presenting data on the parallel for transmission. TX_EN shall be high with the first doublet of the preamble and remain asserted while all doublet to be transmitted are presented. TX_EN shall be negated prior to the first rising edge of GTX_CLK following the final doublet of a frame.
TX_ER	22	Input (with pulldown)	Transmit error coding. When TX_ER and TX_EN are high, indicates that the PHY will generate an error somewhere in the frame presently being transferred. When TX_ER is asserted and TX_EN is deasserted, indicates the controller is presenting carrier extension data. When TX_ER is deasserted with TX_EN asserted, indicates that normal data is being presented.
VDD	1,9,23, 38,48	Supply	Digital logic power. Provides power for all digital circuitry and digital I/O buffers.
VDDA	55,57	Supply	Analog power. VDDA provides a supply reference for the high-speed analog circuits, receiver and transmitter

TLK2500IRCP

1.6 Gbps to 2.5 Gbps TRANSCEIVER

SLLS356B – JUNE 1999 – REVISED JANUARY 2000

absolute maximum ratings over operating free-air temperature (unless otherwise noted)†

Supply voltage, V_{DD} (see Note 1)	–0.3 V to 3 V
Voltage range: TxD, ENABLE, GTX_CLK, TX_EN, TX_ER, LOOPEN, PRBS_EN	–0.3 V to 4 V
Any other terminal except above	–0.3 V to $V_{CC} + 0.3$ V
Package power dissipation rating	See Dissipation Rating Table
Electrostatic discharge	Class 1, A:500 V, Class 1, B:50 V
Characterized free-air operating temperature range	–40°C to 85°C
Storage temperature range	–65°C to 150°C
Lead temperature 1,6 mm (1/16 inch) from case for 10 seconds	260°C

† Stresses beyond those listed under “absolute maximum ratings” may cause permanent damage to the device. These are stress ratings only, and functional operation of the device at these or any other conditions beyond those indicated under “recommended operating conditions” is not implied. Exposure to absolute-maximum-rated conditions for extended periods may affect device reliability.

NOTE 1: All voltage values, except differential I/O bus voltages, are with respect to network ground.

DISSIPATION RATING TABLE

PACKAGE	$T_A \leq 25^\circ\text{C}$ POWER RATING	DERATING FACTOR† ABOVE $T_A = 25^\circ\text{C}$	$T_A = 70^\circ\text{C}$ POWER RATING
RCP64‡	5.25 W	46.58 mW/°C	2.89 W
RCP64§	3.17 W	23.70mW/°C	1.74 W
RCP64¶	2.01 W	13.19 mW/°C	1.11 W

† This is the inverse of the traditional junction-to-ambient thermal resistance (R_{qJA}).

‡ 2 oz. Trace and copper pad with solder.

§ 2 oz. Trace and copper pad without solder.

¶ Standard JEDEC high-K board. For more information, refer to TI application note *PowerPAD™ Thermally Enhanced Package*, TI literature number SLMA002.

electrical characteristics over recommended operating conditions

PARAMETER	TEST CONDITIONS	MIN	NOM	MAX	UNIT
V_{DD} Supply voltage		2.3	2.5	2.7	V
I_{CC} Supply current	$V_{DD} = 2.5$ V, Frequency = 1.5 Gbps, PRBS pattern		95		mA
	$V_{DD} = 2.5$ V, Frequency = 2.5 Gbps, PRBS pattern		135		
P_D Power dissipation	$V_{DD} = 2.5$ V, Frequency = 1.5 Gbps, PRBS pattern		238		mW
	$V_{DD} = 2.5$ V, Frequency = 2.5 Gbps, PRBS pattern		337		
	$V_{DD} = \text{max}$, Frequency = 2.5 Gbps, Worstcase pattern			461	
Shutdown current	Enable = 0, V_{DDA} , V_{DD} pins, $V_{DD} = \text{maximum}$		20		μA
PLL(LCK) PLL lock time	$V_{DD}/V_{DDC} = \text{minimum}$		0.1	0.4	ms
DATA(LCK) DATA lock time	After PLL lock			1024	bit times
T_A Free-air temperature		–40		85	°C

reference clock (GTX_CLK) timing requirements over recommended operating conditions (unless otherwise noted)

PARAMETER	TEST CONDITIONS	MIN	TYP	MAX	UNIT
R_ω Frequency	Minimum data rate	TYP–0.01%	80	TYP+0.01%	MHz
	Maximum data rate	TYP–0.01%	125	TYP+0.01%	
Frequency tolerance		–100		100	ppm
Duty cycle		40%	50%	60%	
Peak-to-peak jitter				40	ps



TTL input electrical characteristics over recommended operating conditions, TTL signals: TXD0–TXD15, GTX_CLK, LOOPEN, LCKREFN (unless otherwise noted)

PARAMETER	TEST CONDITIONS	MIN	NOM	MAX	UNIT
V _{IH} High-level input voltage	See Figure 7	2		3.6	V
V _{IL} Low-level input voltage	See Figure 7			0.80	V
I _{IH} Input high current	V _{DD} = MAX, V _{IN} = 2 V			40	μA
I _{IL} Input low current	V _{DD} = MAX, V _{IN} = 0.4 V	–600			μA
C _I Input capacitance				4	pF
t _r Rise time, GTX_CLK, TX_EN, TX_ER, TXD	0.8 V to 2 V, C = 5 pF, See Figure 7			1	ns
t _f Fall time, GTX_CLK, TX_EN, TX_ER, TXD	2 V to 0.8 V, C = 5 pF, See Figure 7			1	ns
t _{setup} TXD, TX_EN, TX_ER setup to ↑GTX_CLK	See Figure 7	1.5			ns
t _{hold} TXD, TX_EN, TX_ER hold to ↑GTX_CLK	See Figure 7	0.4			ns

TTL output switching characteristics over recommended operating conditions (unless otherwise noted)

PARAMETER	TEST CONDITIONS	MIN	NOM	MAX	UNIT
V _{OH} High-level output voltage	I _{OH} = –1 mA, V _{DD} = MIN	2.10	2.3		V
V _{OL} Low-level output voltage	I _{OH} = 1 mA, V _{DD} = MIN	GND	0.25	0.5	V
SR _(r) Magnitude of RX_CLK, RX_ER, RX_DV, RXD slew rate (rising)	0.8 to 2 V, C = 5 pF, See Figure 7	0.5			V/ns
SR _(f) Magnitude of RX_CLK, RX_ER, RX_DV, RXD slew rate (falling)		0.5			
t _{setup} RXD, RX_DV, RX_ER setup to ↑RX_CLK	50%, 80 MHz, See Figure 7	5.4			ns
	50%, 125 MHz, See Figure 7	3			
t _{hold} RXD, RX_DV, RX_ER hold to ↑RX_CLK	50%, 80 MHz, See Figure 7	5.4			ns
	50%, 125 MHz, See Figure 7	3			

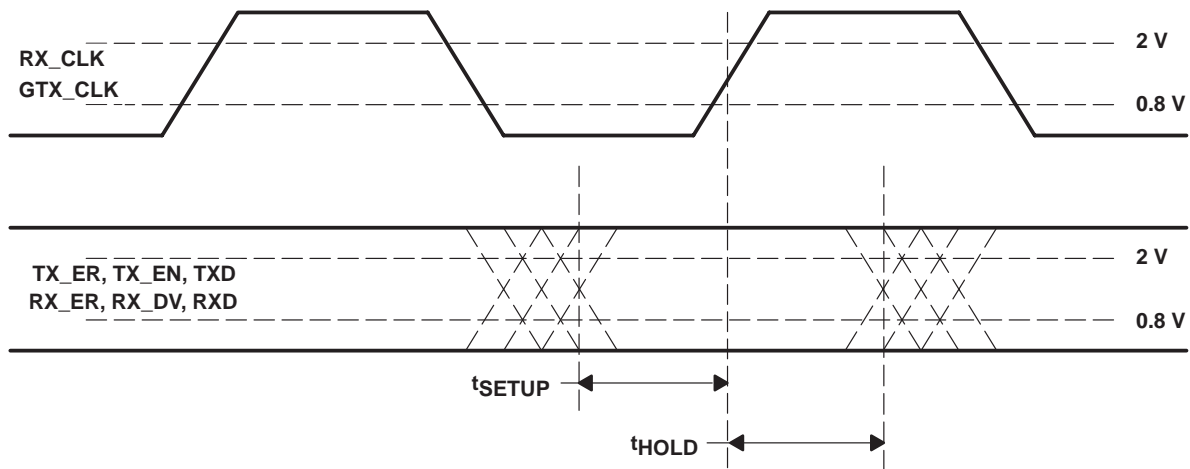


Figure 7. TTL Data Input/Output Valid Levels for AC Measurements

TLK2500IRCP 1.6 Gbps to 2.5 Gbps TRANSCEIVER

SLLS356B – JUNE 1999 – REVISED JANUARY 2000

transmitter/receiver characteristics

PARAMETER	TEST CONDITIONS	MIN	TYP	MAX	UNIT
$V_{(odp)}$ Pre-emphasis VOD, direct, $ VTx+ - VTx- $	$R_T = 50 \Omega$, DC Coupled $R_{REF} = 200 \Omega$, See Figure 8	840	1050	1260	mV
$V_{(odd)}$ De-emphasis VOD, direct, $ VTx+ - VTx- $		760	950	1140	mV
V_{ICR} Transmit common mode voltage range		1500		2500	mV
V_{ID} Receiver input voltage requirement, $ Rx+ - Rx- $		200			mV
V_{ICR} Receiver common mode voltage range $(VTx+ + VTx-)/2$			1500		mV
I_{lkg} Receiver input leakage current		-10		10	μA
C_I Receiver input capacitance				2	pF
$t_{(TOT)}$ Serial data total jitter (peak-to-peak)	Differential output jitter at 2.5 Gbps		0.16		UI
	Differential output jitter at 1.5 Gbps		0.2		
t_r, t_f Differential signal rise, fall time (20% to 80%)	$R_L = 50 \Omega$, $C_L = 5 \text{ pF}$, See Figure 8	100	150		ps
$J(t)$ Jitter tolerance	Zero crossing		50%		UI

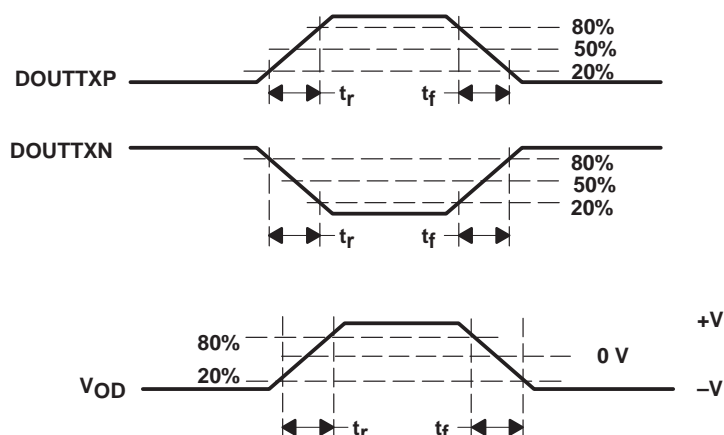


Figure 8. Differential and Common-Mode Output Voltage Definitions

thermal characteristics

PARAMETER	TEST CONDITION	MIN	TYP	MAX	UNIT
$R_{\theta JA}$ Junction-to-free-air thermal resistance	Board mounted, no air flow, high conductivity TI recommended test board, chip soldered or greased to thermal land		21.47		$^{\circ}C/W$
	Board mounted, no air flow, high conductivity TI recommended test board with thermal land but no solder or grease thermal connection to thermal land		42.20		
	Board mounted, no air flow, JEDEC test board		75.83		
$R_{\theta JC}$ Junction-to-case thermal resistance	Board mounted, no air flow, high conductivity TI recommended test board, chip soldered or greased to thermal land		0.38		$^{\circ}C/W$
	Board mounted, no air flow, high conductivity TI recommended test board with thermal land but no solder or grease thermal connection to thermal land		0.38		
	Board mounted, no air flow, JEDEC test board		7.8		

APPLICATION INFORMATION

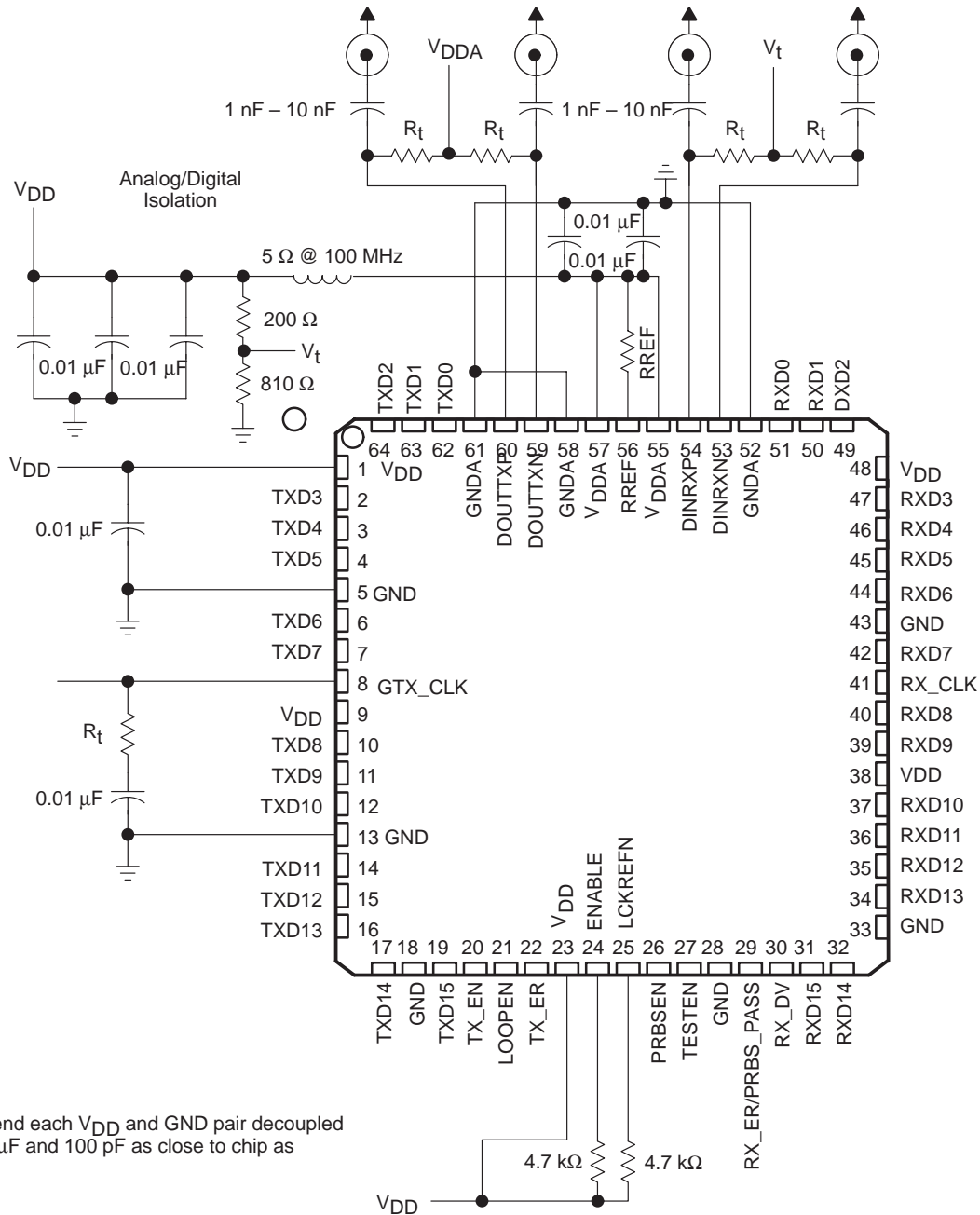


Figure 9. External Component Interconnection

recommended values of external resistors

PARAMETER		TEST CONDITIONS	MIN	TYP	MAX	UNIT
R _t	Termination resistor	50 Ω environment	48	50	52	Ω
		75 Ω environment	71	75	79	
RREF	Reference resistor	50 Ω environment	190	200	210	Ω
		75 Ω environment	285	300	315	

TLK2500IRCP 1.6 Gbps to 2.5 Gbps TRANSCEIVER

SLLS356B – JUNE 1999 – REVISED JANUARY 2000

APPLICATION INFORMATION

choosing resistor values

TLK2500 offers the flexibility to customize the voltage swing and transmission line termination by adjusting the reference resistor (RREF) and termination resistor (R_t). By choosing particular resistor values, the system can be optimized for a particular transmission line impedance and length as well as for controlling the output swing for EMI and attenuation concerns. Refer to the following equations to determine the nominal voltage swing and driver current as a function of resistor values.

I (de-emphasis in ma) = 3.8 V/RREF	
I (pre-emphasis in ma) = 4.2 V/RREF	
Vod(de-emphasis in mV) = R _t × 3.8 V/RREF	(Direct coupled mode)
Vod(pre-emphasis in mV) = R _t × 4.2 V/RREF	(Direct coupled mode)
Vod(de-emphasis in mV) = R _t × 1.9 V/RREF	(A/C coupled mode)
Vod(pre-emphasis in mV) = R _t × 2.1 V/RREF	(A/C coupled mode)

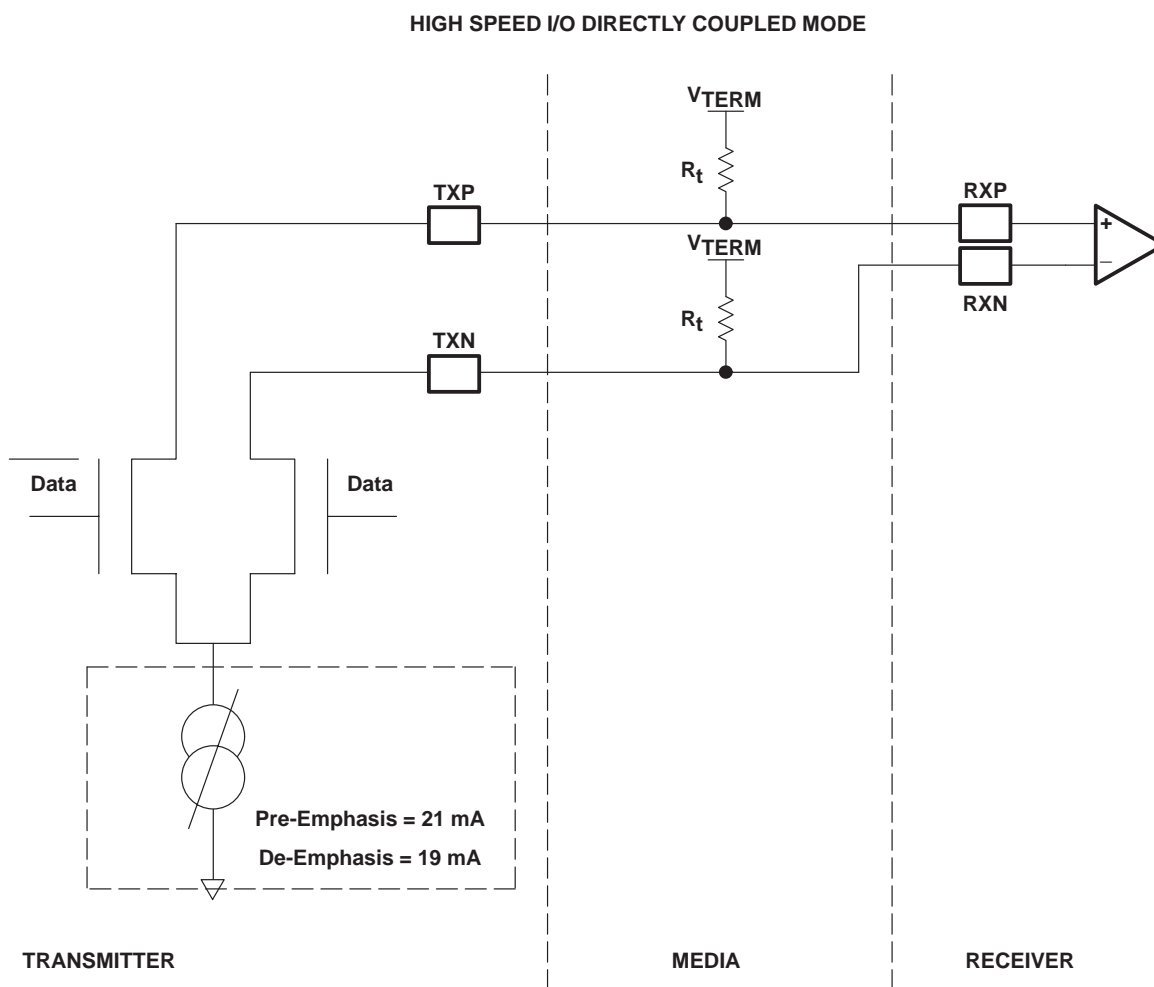


Figure 10. High Speed I/O Directly Coupled Mode

APPLICATION INFORMATION

HIGH SPEED I/O A/C-COUPLED MODE

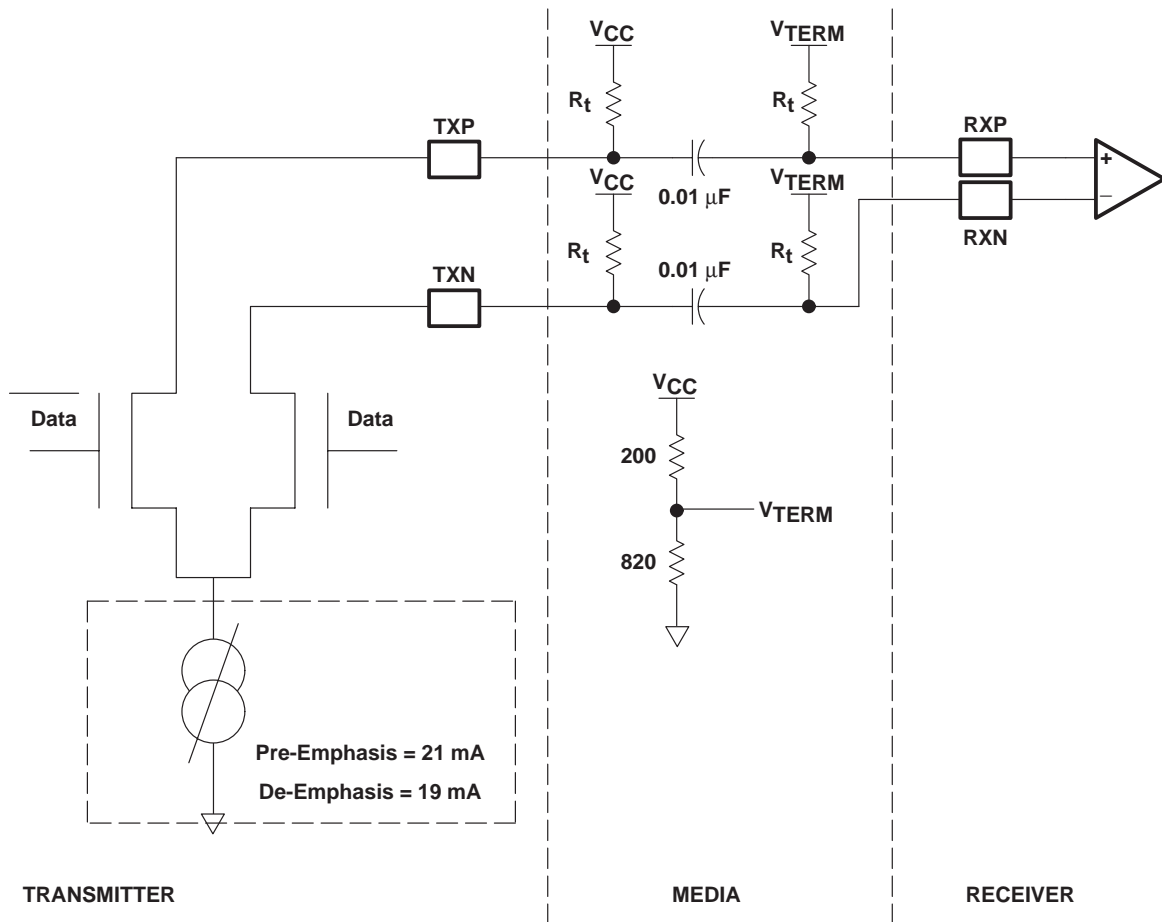


Figure 11. High Speed I/O AC Coupled Mode

designing with PowerPAD™

The TLK2500 is housed in a high-performance, thermally enhanced, 64-pin VQFP (RCP64) PowerPAD package. Use of the PowerPAD package does not require any special considerations except to note that the PowerPAD, which is an exposed die pad on the bottom of the device, is a metallic thermal and electrical conductor. Therefore, if not implementing PowerPAD PCB features, the use of solder masks (or other assembly techniques) may be required to prevent any inadvertent shorting by the exposed PowerPAD of connection etches or vias under the package. It is strongly recommended that the PowerPAD be soldered to the thermal land. The recommended convention, however, is to not run any etches or signal vias under the device, but to have only a grounded thermal land as explained below. Although the actual size of the exposed die pad may vary, the minimum size required for the keepout area for the 64-pin PFP PowerPAD package is 8 mm × 8 mm.

APPLICATION INFORMATION

designing with PowerPAD (continued)

It is recommended that there be a thermal land, which is an area of solder-tinned copper, underneath the PowerPAD package. The thermal land will vary in size depending on the PowerPAD package being used, the PCB construction, and the amount of heat that needs to be removed. In addition, the thermal land may or may not contain numerous thermal vias depending on PCB construction.

Other requirements for thermal lands and thermal vias are detailed in the TI application note *PowerPAD™ Thermally Enhanced Package Application Report*, TI literature number SLMA002, available via the TI Web pages beginning at URL: <http://www.ti.com>.

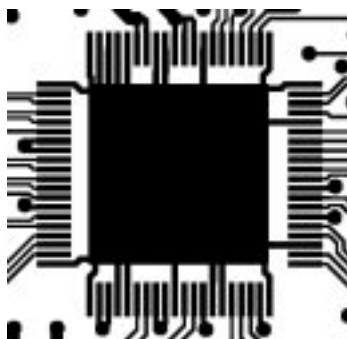


Figure 12. Example of a Thermal Land

For the TLK2500, this thermal land should be grounded to the low impedance ground plane of the device. This improves not only thermal performance but also the electrical grounding of the device. It is also recommended that the device ground pin landing pads be connected directly to the grounded thermal land. The land size should be as large as possible without shorting device signal pins. The thermal land may be soldered to the exposed PowerPAD using standard reflow soldering techniques.

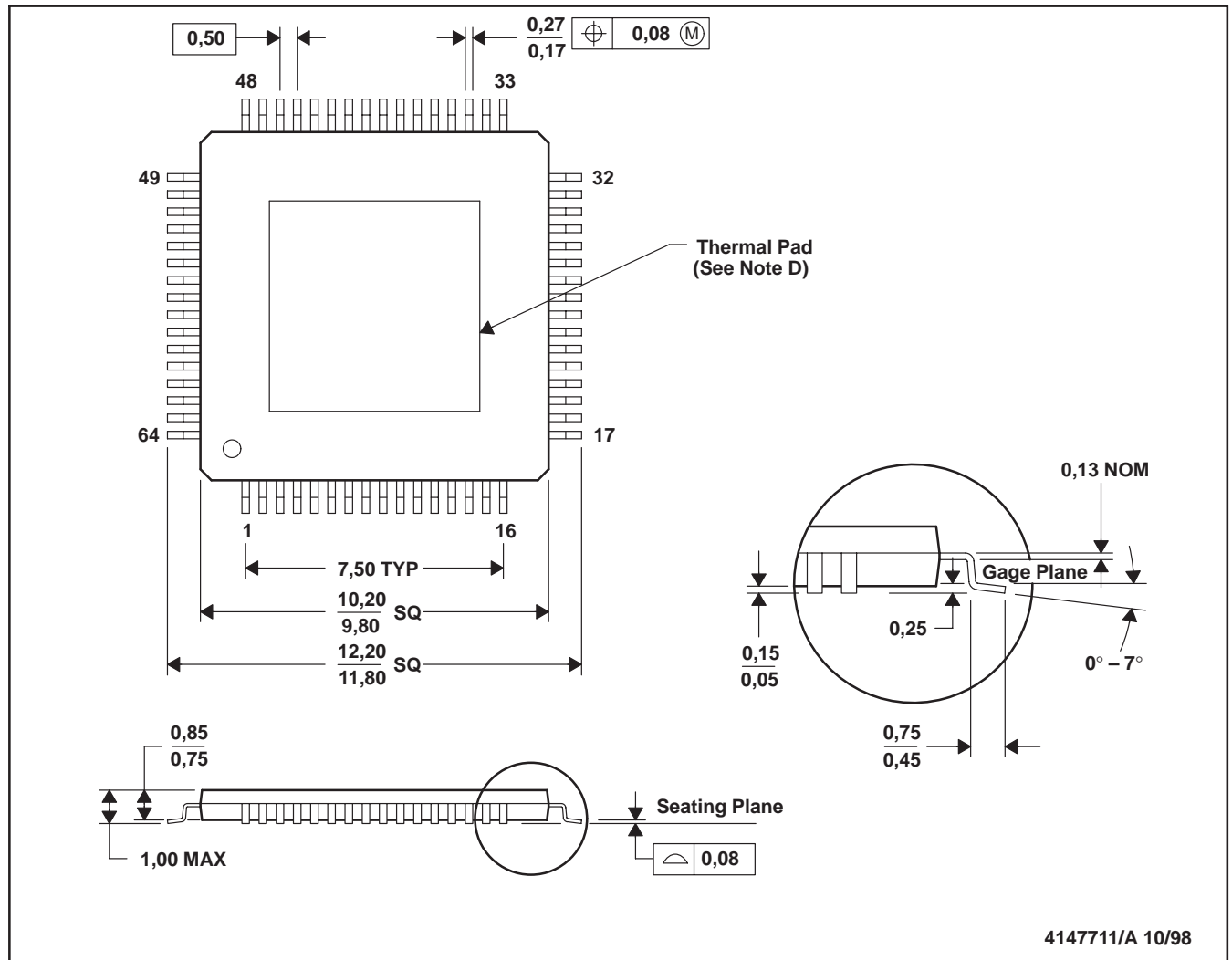
While the thermal land may be electrically floated and configured to remove heat to an external heat sink, it is recommended that the thermal land be connected to the low impedance ground plane for the device. More information may be obtained from the TI application note *PHY Layout*, TI literature number SLLA020.

MECHANICAL DATA

RCP (S-PQFP-G64)

PowerPAD™ PLASTIC QUAD FLATPACK

Definitions



- NOTES:
- A. All linear dimensions are in millimeters.
 - B. This drawing is subject to change without notice.
 - C. Body dimensions do not include mold flash or protrusion.
 - D. The package thermal performance may be enhanced by bonding the thermal pad to an external thermal plane. This pad is electrically and thermally connected to the backside of the die and possibly selected leads.
 - E. Falls within JEDEC MS-026

PowerPAD is a trademark of Texas Instruments Incorporated.

PACKAGING INFORMATION

Orderable Device	Status ⁽¹⁾	Package Type	Package Drawing	Pins	Package Qty	Eco Plan ⁽²⁾	Lead/Ball Finish	MSL Peak Temp ⁽³⁾
TLK2500IRCP	OBSOLETE	HVQFP	RCP	64		TBD	Call TI	Call TI

⁽¹⁾ The marketing status values are defined as follows:

ACTIVE: Product device recommended for new designs.

LIFEBUY: TI has announced that the device will be discontinued, and a lifetime-buy period is in effect.

NRND: Not recommended for new designs. Device is in production to support existing customers, but TI does not recommend using this part in a new design.

PREVIEW: Device has been announced but is not in production. Samples may or may not be available.

OBSOLETE: TI has discontinued the production of the device.

⁽²⁾ Eco Plan - The planned eco-friendly classification: Pb-Free (RoHS) or Green (RoHS & no Sb/Br) - please check <http://www.ti.com/productcontent> for the latest availability information and additional product content details.

TBD: The Pb-Free/Green conversion plan has not been defined.

Pb-Free (RoHS): TI's terms "Lead-Free" or "Pb-Free" mean semiconductor products that are compatible with the current RoHS requirements for all 6 substances, including the requirement that lead not exceed 0.1% by weight in homogeneous materials. Where designed to be soldered at high temperatures, TI Pb-Free products are suitable for use in specified lead-free processes.

Green (RoHS & no Sb/Br): TI defines "Green" to mean Pb-Free (RoHS compatible), and free of Bromine (Br) and Antimony (Sb) based flame retardants (Br or Sb do not exceed 0.1% by weight in homogeneous material)

⁽³⁾ MSL, Peak Temp. -- The Moisture Sensitivity Level rating according to the JEDEC industry standard classifications, and peak solder temperature.

Important Information and Disclaimer:The information provided on this page represents TI's knowledge and belief as of the date that it is provided. TI bases its knowledge and belief on information provided by third parties, and makes no representation or warranty as to the accuracy of such information. Efforts are underway to better integrate information from third parties. TI has taken and continues to take reasonable steps to provide representative and accurate information but may not have conducted destructive testing or chemical analysis on incoming materials and chemicals. TI and TI suppliers consider certain information to be proprietary, and thus CAS numbers and other limited information may not be available for release.

In no event shall TI's liability arising out of such information exceed the total purchase price of the TI part(s) at issue in this document sold by TI to Customer on an annual basis.

IMPORTANT NOTICE

Texas Instruments Incorporated and its subsidiaries (TI) reserve the right to make corrections, modifications, enhancements, improvements, and other changes to its products and services at any time and to discontinue any product or service without notice. Customers should obtain the latest relevant information before placing orders and should verify that such information is current and complete. All products are sold subject to TI's terms and conditions of sale supplied at the time of order acknowledgment.

TI warrants performance of its hardware products to the specifications applicable at the time of sale in accordance with TI's standard warranty. Testing and other quality control techniques are used to the extent TI deems necessary to support this warranty. Except where mandated by government requirements, testing of all parameters of each product is not necessarily performed.

TI assumes no liability for applications assistance or customer product design. Customers are responsible for their products and applications using TI components. To minimize the risks associated with customer products and applications, customers should provide adequate design and operating safeguards.

TI does not warrant or represent that any license, either express or implied, is granted under any TI patent right, copyright, mask work right, or other TI intellectual property right relating to any combination, machine, or process in which TI products or services are used. Information published by TI regarding third-party products or services does not constitute a license from TI to use such products or services or a warranty or endorsement thereof. Use of such information may require a license from a third party under the patents or other intellectual property of the third party, or a license from TI under the patents or other intellectual property of TI.

Reproduction of information in TI data books or data sheets is permissible only if reproduction is without alteration and is accompanied by all associated warranties, conditions, limitations, and notices. Reproduction of this information with alteration is an unfair and deceptive business practice. TI is not responsible or liable for such altered documentation.

Resale of TI products or services with statements different from or beyond the parameters stated by TI for that product or service voids all express and any implied warranties for the associated TI product or service and is an unfair and deceptive business practice. TI is not responsible or liable for any such statements.

Following are URLs where you can obtain information on other Texas Instruments products and application solutions:

Products		Applications	
Amplifiers	amplifier.ti.com	Audio	www.ti.com/audio
Data Converters	dataconverter.ti.com	Automotive	www.ti.com/automotive
DSP	dsp.ti.com	Broadband	www.ti.com/broadband
Interface	interface.ti.com	Digital Control	www.ti.com/digitalcontrol
Logic	logic.ti.com	Military	www.ti.com/military
Power Mgmt	power.ti.com	Optical Networking	www.ti.com/opticalnetwork
Microcontrollers	microcontroller.ti.com	Security	www.ti.com/security
		Telephony	www.ti.com/telephony
		Video & Imaging	www.ti.com/video
		Wireless	www.ti.com/wireless

Mailing Address: Texas Instruments
Post Office Box 655303 Dallas, Texas 75265