

CMOS 4-bit Microcontroller

TMP47P186M

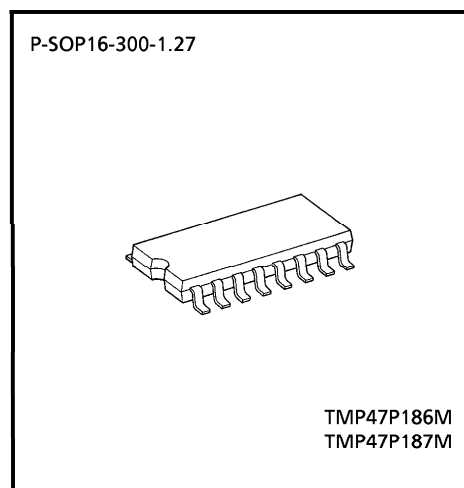
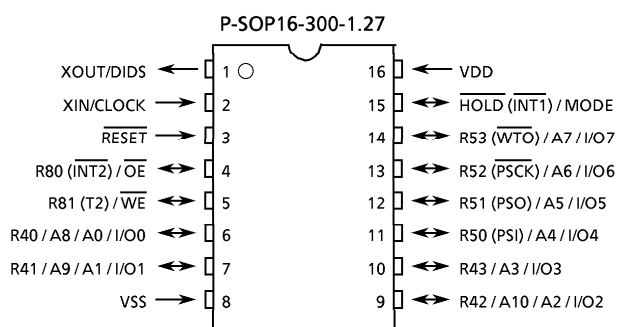
TMP47P187M

The TMP47P186M/187M is a system evaluation LSI with a built-in 1 Kbyte E²PROM as ROM. Like the MBM28C64, The TMP47P186M/187M can write / verify data using a PROM writer connection adaptor socket.

The TMP47P186M/187M is pin-compatible with mask ROM product TMP47E186M/187M. Writing a program to the built-in E²PROM enables the TMP47P186M/187M to operate the same as TMP47E186M/187M.

Part No.	ROM	RAM	E ² PROM	Package	Adaptor socket	Oscillator
TMP47P186M	E ² PROM	64 × 4 bit	16 × 8 bit	P-SOP16-300-1.27	BM11114	CR oscillator
TMP47P187M	1024 × 8 bit					crystal/ceramic oscillator

Pin Assignment (Top View)



000707EBA1

- For a discussion of how the reliability of microcontrollers can be predicted, please refer to Section 1.3 of the chapter entitled Quality and Reliability Assurance / Handling Precautions.
- TOSHIBA is continually working to improve the quality and reliability of its products. Nevertheless, semiconductor devices in general can malfunction or fail due to their inherent electrical sensitivity and vulnerability to physical stress. It is the responsibility of the buyer, when utilizing TOSHIBA products, to comply with the standards of safety in making a safe design for the entire system, and to avoid situations in which a malfunction or failure of such TOSHIBA products could cause loss of human life, bodily injury or damage to property. In developing your designs, please ensure that TOSHIBA products are used within specified operating ranges as set forth in the most recent TOSHIBA products specifications. Also, please keep in mind the precautions and conditions set forth in the "Handling Guide for Semiconductor Devices," or "TOSHIBA Semiconductor Reliability Handbook" etc..
- The TOSHIBA products listed in this document are intended for usage in general electronics applications (computer, personal equipment, office equipment, measuring equipment, industrial robotics, domestic appliances, etc.). These TOSHIBA products are neither intended nor warranted for usage in equipment that requires extraordinarily high quality and/or reliability or a malfunction or failure of which may cause loss of human life or bodily injury ("Unintended Usage"). Unintended Usage include atomic energy control instruments, airplane or spaceship instruments, transportation instruments, traffic signal instruments, combustion control instruments, medical instruments, all types of safety devices, etc.. Unintended Usage of TOSHIBA products listed in this document shall be made at the customer's own risk.
- The products described in this document are subject to the foreign exchange and foreign trade laws.
- The information contained herein is presented only as a guide for the applications of our products. No responsibility is assumed by TOSHIBA CORPORATION for any infringements of intellectual property or other rights of the third parties which may result from its use. No license is granted by implication or otherwise under any intellectual property or other rights of TOSHIBA CORPORATION or others.
- The information contained herein is subject to change without notice.

Pin Functions

The TMP47P186M/187M supports MCU and E²PROM modes.

- (1) MCU mode
Pin-compatible with TMP47E186M/187M.
- (2) E²PROM mode

Pin Name	Input / Output	Function	Pin Name (In MCU Mode)
A10 to A8	Input	Inputs program memory addresses.	R42 to R40 (Note 1)
A7 to A4			R53 to R50 (Note 1)
A3 to A0			R43 to R40 (Note 1)
I/O7 to I/O4	Input / Output	Inputs / outputs program memory data.	R53 to R50 (Note 1)
I/O3 to I/O0			R43 to R40 (Note 1)
\overline{OE}	Input	Inputs output enable signal.	R80
\overline{WE}		Inputs write enable signal.	R81
\overline{CE}		Inputs chip enable signal.	\overline{HOLD} (MODE) (Note 2)
CLOCK (Note 3)	Input	Oscillator connecting pin	XIN
DIDS (Note 3)	Input	Inputs address input timing control signal.	XOUT
VCC	Power supply	+ 5 V (or other voltage)	VDD
VSS		0 V (GND)	VSS

Note 1: R43 to R40 and R53 to R50 are used in time sharing mode for input of program memory address and program memory data.

Note 2: The MODE signal is processed by the adaptor socket. The MODE signal, not the CE signal, is input to the HOLD pin.

Note 3: Generated by the adaptor socket.

Operation

The following sections describe the configuration and operation of TMP47P186M/187M hardware. The TMP47P186M/187M uses the mask ROM built into TMP47E186M/187M as E²PROM. In every other respect, TMP47P186M/187M configuration and functions are identical to those of TMP47E186M/187M.

1. Operation modes

The TMP47P186M/187M supports MCU and E²PROM modes.

Table 1-1. Operating Mode Setting

Mode \ Pin	XIN	XOUT	R80
MCU	Oscillator connected.		*
E ² PROM	Clock input	L	H

(L: 0 V
H: 5 V
*: Don't care)

1.1 MCU Mode

Operation in MCU mode is the same as that of TMP47E186M/187M.

1.1.1 Program Memory

The program area is the same as that of TMP47E186M/187M.

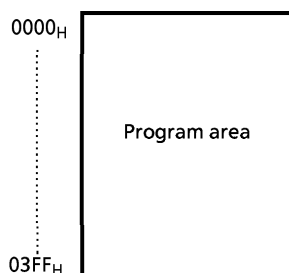


Figure 1-1. Program Area

1.1.2 Data Memory

The TMP47P186M/187M incorporates a 64 × 4-bit data memory (RAM, equivalent to TMP47E186M/187M).

1.1.3 Pin I/O Circuit

The pin I/O circuit is the same as that of TMP47E186M/187M.

Electrical Characteristics

Absolute Maximum Ratings (V_{SS} = 0 V)

Parameter	Symbol	Pin	Specifications	Unit
Power supply voltage	V _{DD}		- 0.3 to 6.5	V
Input voltage	V _{IN}		- 0.3 to V _{DD} + 0.3	V
Output voltage	V _{OUT}		- 0.3 to V _{DD} + 0.3	V
Output current (per pin)	I _{OUT}		3	mA
Output current (total for all pins)	Σ I _{OUT}		12	mA
Power dissipation	PD		88	mW
Soldering temperature (time)	T _{slid}		260 (10 s)	°C
Storage temperature	T _{stg}		- 55 to 125	°C
Operating temperature	T _{OPR}		- 40 to 85	°C

Note: The absolute maximum ratings are rated values which must not be exceeded during operation, even for an instant. Any one of the ratings must not be exceeded. If any absolute maximum rating is exceeded, a device may break down or its performance may be degraded, causing it to catch fire or explode resulting in injury to the user. Thus, when designing products which include this device, ensure that no absolute maximum rating value will ever be exceeded.

Recommended Operating Conditions (V_{SS} = 0 V, Topr = - 40 to 85°C)

Parameter	Symbol	Pins	Conditions	Min	Max	Unit	
Power supply voltage	V _{DD}	At normal operation	Crystal or ceramic (Note 2)	fc = 6.0 MHz	4.5	5.5	V
				fc = 4.2 MHz	2.7		
		In hold mode	RC (Note 3)	fc = 2.5 MHz	2.2		
				fc = 1 MHz	2.0		
High-level input voltage	V _{IH1}	Excluding hysteresis input	V _{DD} ≥ 4.5 V	V _{DD} × 0.7	V _{DD}	V	
	V _{IH2}	Hysteresis input		V _{DD} × 0.75			
	V _{IH3}		V _{DD} < 4.5 V	V _{DD} × 0.9			
Low-level input voltage	V _{IL1}	Excluding hysteresis input	V _{DD} ≥ 4.5 V	0	V _{DD} × 0.3	V	
	V _{IL2}	Hysteresis input			V _{DD} × 0.25		
	V _{IL3}		V _{DD} < 4.5 V		V _{DD} × 0.1		
Clock frequency	fc	XIN, XOUT	V _{DD} = 4.5 to 5.5 V	0.4	0.6	MHz	
			V _{DD} = 2.7 to 5.5 V		4.2		
			V _{DD} = 2.2 to 5.5 V (CR)		2.5		
			V _{DD} = 2.0 to 5.5 V (CR)		1.0		

Note 1: The recommended operating conditions for a device are operating conditions under which it can be guaranteed that the device will operate as specified. If the device is used under operating conditions other than the recommended operating conditions (supply voltage, operating temperature range, specified AC/DC values etc.), malfunction may occur. Thus, when designing products which include this device, ensure that the recommended operating conditions for the device are always adhered to.

Note 2: TMP47E187M

Note 3: TMP47E186M

DC Characteristics

 $(V_{SS} = 0\text{ V}, T_{opr} = -40\text{ to }85^{\circ}\text{C})$

Parameter	Symbol	Pin	Condition	Min	Typ.	Max	Unit
Hysteresis voltage	V_{HS}	Hysteresis input		–	0.7	–	V
Input current	I_{IN1}	RESET, HOLD	$V_{DD} = 5.5\text{ V}, V_{IN} = 5.5\text{ V} / 0\text{ V}$	–	–	± 2	μA
Input resistance	R_{IN}	RESET		100	220	450	$\text{k}\Omega$
High-level output current	V_{OH}	Push-pull output portH	$V_{DD} = 4.5\text{ V}, I_{OH} = -1.6\text{ mA}$	2.4	–	–	V
			$V_{DD} = 2.2\text{ V}, I_{OH} = -20\ \mu\text{A}$	2.0	–	–	
Low-level output voltage	V_{OL}	Excluding XOUT	$V_{DD} = 4.5\text{ V}, I_{OL} = 1.6\text{ mA}$	–	–	0.4	V
			$V_{DD} = 2.2\text{ V}, I_{OL} = 20\ \mu\text{A}$	–	–	0.1	
Power supply current at normal operation	I_{DD}	Except for E ² PROM Erase / write	$V_{DD} = 5.5\text{ V}, f_c = 4\text{ MHz}$	–	2	4	mA
			$V_{DD} = 3.0\text{ V}, f_c = 4\text{ MHz}$	–	1	2	
			$V_{DD} = 3.0\text{ V}, f_c = 400\text{ kHz}$	–	0.5	1	
		During E ² PROM Erase / write	$V_{DD} = 5.5\text{ V}, f_c = 4\text{ MHz}$	–	5	7	
Power supply current in hold mode	I_{DDH}		$V_{DD} = 5.5\text{ V}$	–	0.5	10	μA
			$V_{DD} = 3.0\text{ V}$	–	0.3	1	

Note 1: Typ. values are for when $T_{opr} = 25^{\circ}\text{C}$, $V_{DD} = 5\text{ V}$.

Note 2: Input current: I_{IN1} excludes current due to built-in pull-up resistors.

Note 3: $V_{IN} = 5.3\text{ V} / 0.2\text{ V}$ ($V_{DD} = 5\text{ V}$) or $V_{IN} = 2.8\text{ V} / 0.2\text{ V}$ ($V_{DD} = 3.0\text{ V}$)

Data (16 × 8 bit) E²PROM Characteristics $(V_{SS} = 0\text{ V}, T_{opr} = -40\text{ to }85^{\circ}\text{C})$

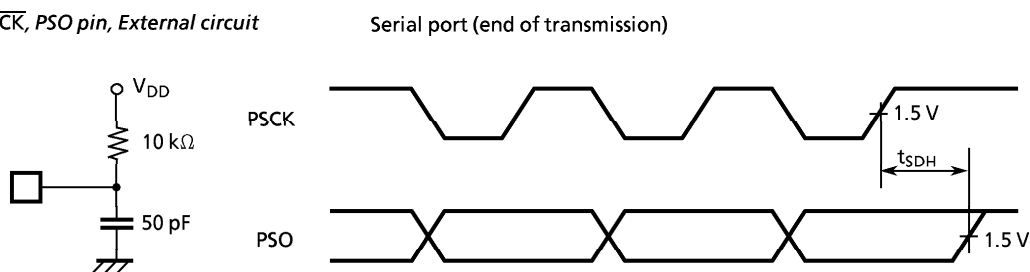
Parameter	Symbol	Conditions		Unit
Programming time	t_{PW}		4.1 (Typ.)	ms
Erase time	t_{EW}		4.1 (Typ.)	
Number of overwrites		$T_{opr} = T_H, V_{DD} = 5\text{ V}$	10^4 (Min)	Cycle
Data hold characteristics		After overwriting 10^4 times, $T_a = 55^{\circ}\text{C}$.	10 (Min)	Year

AC Characteristics

($V_{SS} = 0\text{ V}$, $T_{opr} = -40\text{ to }85^\circ\text{C}$)

Parameter	Symbol	Condition	Min	Typ.	Max	Unit	
Instruction cycle time	tcy		$V_{DD} = 4.5\text{ to }5.5\text{ V}$	1.3	-	20	μs
			$V_{DD} = 2.7\text{ to }5.5\text{ V}$	1.9			
			$V_{DD} = 2.2\text{ to }5.5\text{ V}$	3.2			
			$V_{DD} = 2.0\text{ to }5.5\text{ V}$	8.0			
High-level clock pulse width	t _{WCH}	External clock	$V_{DD} \geq 2.7\text{ V}$	80	-	-	ns
Low-level clock pulse width	t _{WCL}		(XIN input)	$V_{DD} < 2.7\text{ V}$			
		$V_{DD} \geq 2.7\text{ V}$		80			
			$V_{DD} < 2.7\text{ V}$	160			
Shift data storage time	t _{SDH}		$0.5tcy - 0.3$	-	-	μs	

Note: Shift data hold time:
P $\overline{\text{SCK}}$, PSO pin, External circuit



Recommended Oscillation Conditions

($V_{SS} = 0\text{ V}$, $V_{DD} = 4.5\text{ to }5.5\text{ V}$, $T_{opr} = -40\text{ to }85^\circ\text{C}$)

Same as those for TMP47E186M/187M.