

**TOSHIBA**

TOSHIBA Original CMOS 16-Bit Microcontroller

**TLCS-900/L1 Series**

**TMP91CW11**

**TOSHIBA CORPORATION**

## Preface

Thank you very much for making use of Toshiba microcomputer LSIs.  
Before use this LSI, refer the section, "Points of Note and Restrictions".  
Especially, take care below cautions.

**\*\*CAUTION\*\***

**How to release the HALT mode**

Usually, interrupts can release all halts status. However, the interrupts = ( $\overline{\text{NMI}}$ , INT0, INTRTC), which can release the HALT mode may not be able to do so if they are input during the period CPU is shifting to the HALT mode (for about 5 clocks of  $f_{\text{FPH}}$ ) with IDLE1 or STOP mode (IDLE2 is not applicable to this case). (In this case, an interrupt request is kept on hold internally.)

If another interrupt is generated after it has shifted to HALT mode completely, halt status can be released without difficulty. The priority of this interrupt is compare with that of the interrupt kept on hold internally, and the interrupt with higher priority is handled first followed by the other interrupt.

## Low Voltage/Low Power CMOS 16-Bit Microcontrollers TMP91CW11F

### 1. Outline and Features

TMP91CW11 is a high-speed 16-bit microcontroller designed for the control of various mid- to large-scale equipment.

TMP91CW11 is housed in a 100-pin flat package (P-LQFP100-1414-0.50C).

Listed below are the features.

- (1) High-speed 16-bit CPU (900/L1 CPU)
  - Instruction mnemonics are upward-compatible with TLCS-90/900
  - 16 Mbytes of linear ADDRESS space
  - General-purpose registers and register banks
  - 16-bit multiplication and division instructions; bit transfer and arithmetic instructions
  - Micro DMA: 4 channels
    - (640 ns/ 2 bytes at 25 MHz)
    - (800 ns/ 2 bytes at 20 MHz)
    - (1.28 ns/ 2 bytes at 12.5 MHz)
- (2) Minimum instruction execution time:
  - 160 ns (at 25 MHz, VCC = 5 V without external bus)
  - 200 ns (at 20 MHz, VCC = 5 V)
  - 320 ns (at 12.5 MHz, VCC = 3 V)
- (3) Internal RAM: 4 Kbytes  
ROM: 128 Kbytes
- (4) External memory expansion
  - Expandable up to 16 Mbytes (for both programs and data)
  - Can simultaneously support 8-/16-bit width external data bus ... Dynamic data bus sizing

000707EBP1

- For a discussion of how the reliability of microcontrollers can be predicted, please refer to Section 1.3 of the chapter entitled Quality and Reliability Assurance / Handling Precautions.
- TOSHIBA is continually working to improve the quality and reliability of its products. Nevertheless, semiconductor devices in general can malfunction or fail due to their inherent electrical sensitivity and vulnerability to physical stress. It is the responsibility of the buyer, when utilizing TOSHIBA products, to comply with the standards of safety in making a safe design for the entire system, and to avoid situations in which a malfunction or failure of such TOSHIBA products could cause loss of human life, bodily injury or damage to property. In developing your designs, please ensure that TOSHIBA products are used within specified operating ranges as set forth in the most recent TOSHIBA products specifications. Also, please keep in mind the precautions and conditions set forth in the "Handling Guide for Semiconductor Devices," or "TOSHIBA Semiconductor Reliability Handbook" etc..
- The TOSHIBA products listed in this document are intended for usage in general electronics applications (computer, personal equipment, office equipment, measuring equipment, industrial robotics, domestic appliances, etc.). These TOSHIBA products are neither intended nor warranted for usage in equipment that requires extraordinarily high quality and/or reliability or a malfunction or failure of which may cause loss of human life or bodily injury ("Unintended Usage"). Unintended Usage include atomic energy control instruments, airplane or spaceship instruments, transportation instruments, traffic signal instruments, combustion control instruments, medical instruments, all types of safety devices, etc.. Unintended Usage of TOSHIBA products listed in this document shall be made at the customer's own risk.
- The products described in this document are subject to the foreign exchange and foreign trade laws.
- The information contained herein is presented only as a guide for the applications of our products. No responsibility is assumed by TOSHIBA CORPORATION for any infringements of intellectual property or other rights of the third parties which may result from its use. No license is granted by implication or otherwise under any intellectual property or other rights of TOSHIBA CORPORATION or others.
- The information contained herein is subject to change without notice.



Purchase of TOSHIBA I<sup>2</sup>C components conveys a license under the Philips I<sup>2</sup>C patent Rights to use these components in an I<sup>2</sup>C system, provided that the system conforms to the I<sup>2</sup>C Standard Specification as defined by Philips.

- (5) 8-bit timer: 2 channels
- (6) 8-bit PWM timer: 2 channels
- (7) 16-bit timer: 2 channels
- (8) General-purpose serial interface: 6 channels
  - for UART/8-bit SIO: 2 channels
  - for UART: 1 channel
  - for 8-bit SIO: 2 channels
  - for I<sup>2</sup>C bus (multi-master)/8-bit SIO: 1 channel
- (9) 10-bit AD converter: 8 channels
- (10) Watchdog timer
- (11) Chip select/wait controller: 3 blocks
- (12) Interrupts: 39 interrupts
  - 9 CPU interrupts: Software interrupt instruction and illegal instruction
  - 24 internal interrupts: } 7-level priority can be set.
  - 6 external interrupts: }
- (13) Input/output ports 79 pins
  - Large current output: 6 pins, LED direct drive
- (14) Standby mode
  - 4 HALT modes: RUN, IDLE2, IDLE1, STOP
- (15) Clock gear function
  - High-frequency clock can be changed from  $f_c$  to  $f_c/16$ .
  - Dual clock Operation
- (16) Real Time Counter
- (17) Operating voltage
  - $V_{CC} = 2.7$  to  $5.5$  V
- (18) Package: P-LQFP100-1414-0.50C

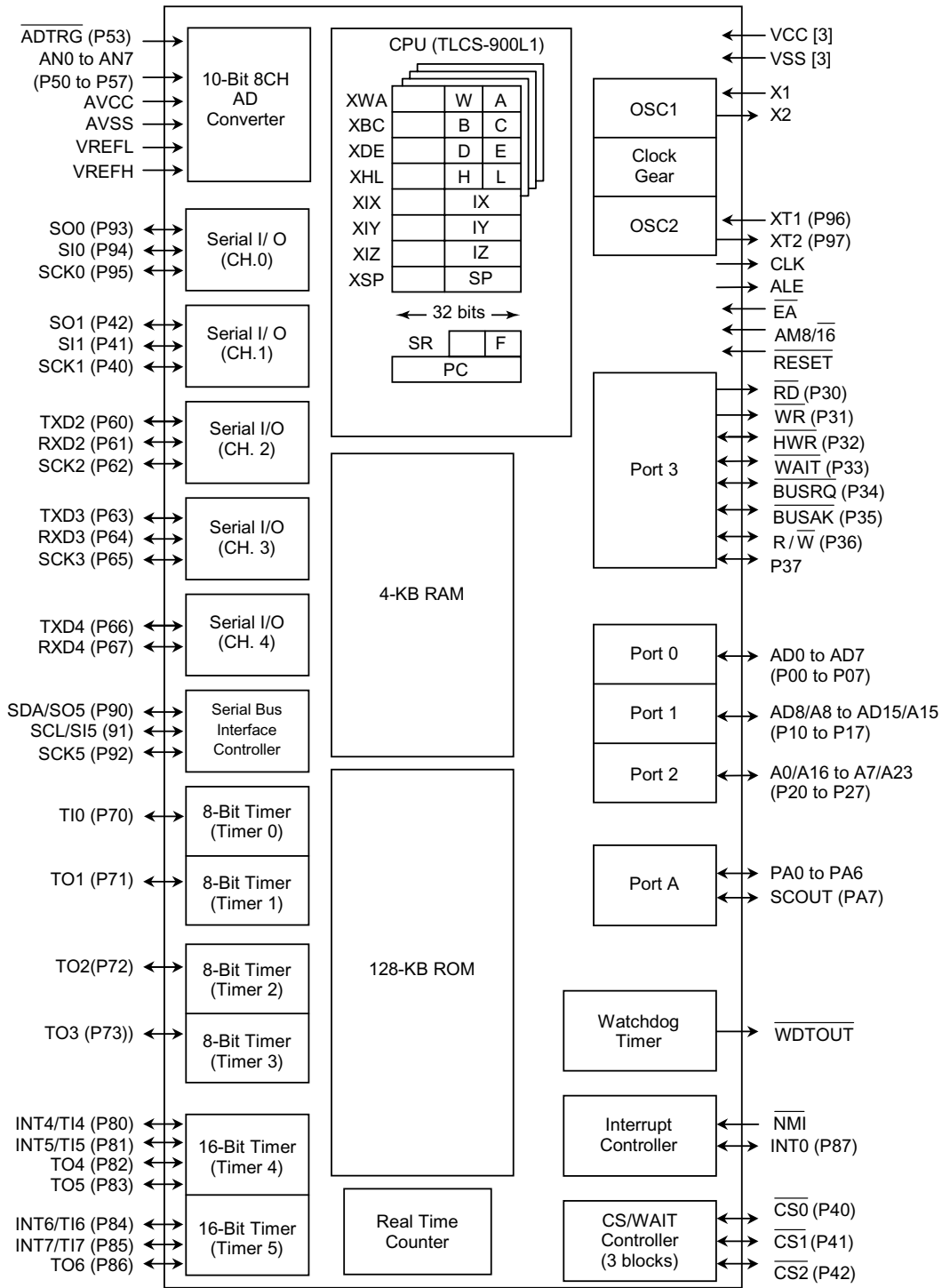


Figure 1.1 TMP91CW11 block diagram

## 2. Pin Assignment and Pin Functions

The assignment of input/output pins for the TMP91CW11F, their names and outline functions are described below.

### 2.1 Pin Assignment

Figure 2.1.1 shows pin assignment of TMP91CW11F.

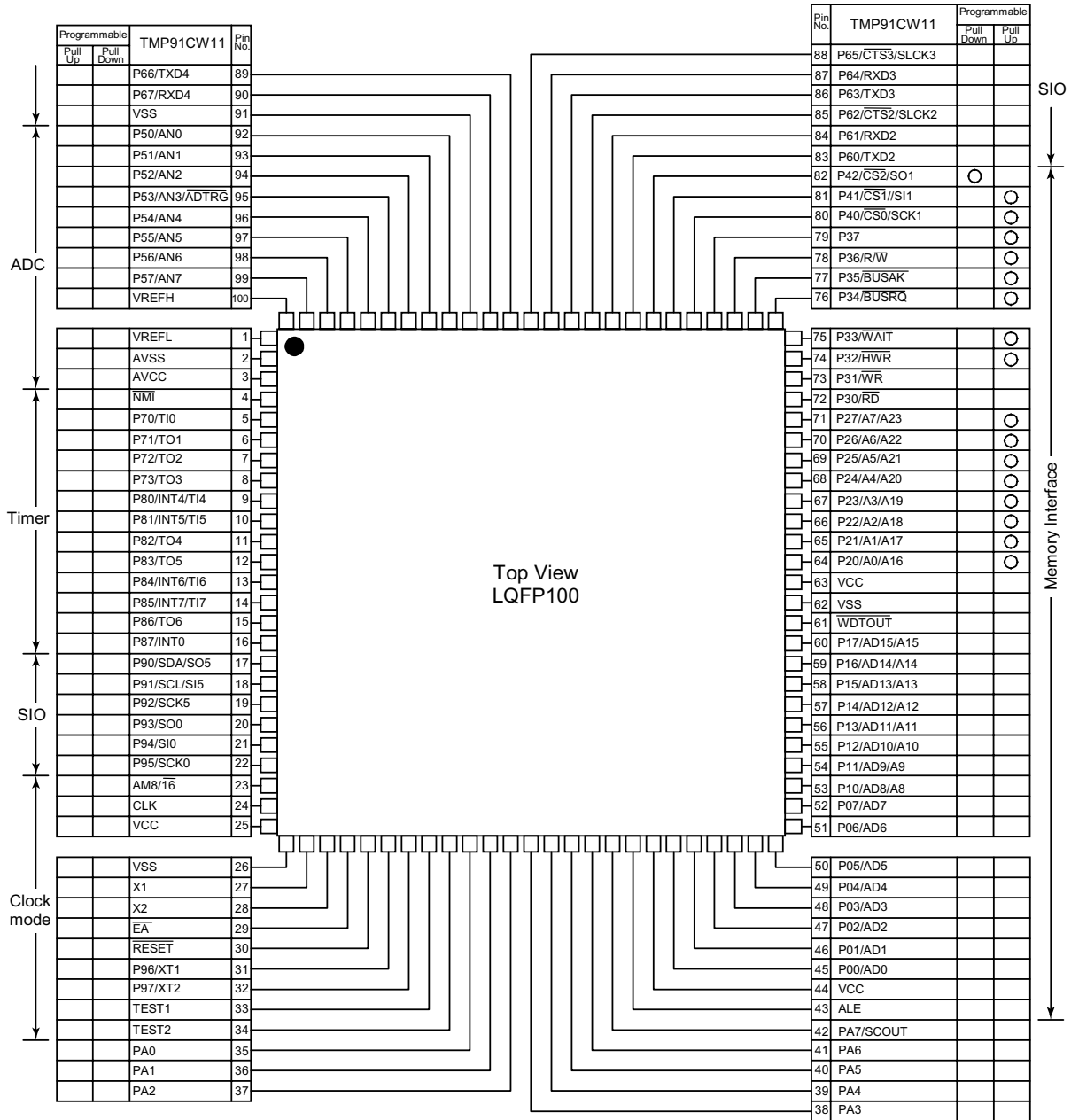


Figure 2.1.1 Pin assignment

## 2.2 Pin Names and Functions

The names of input/output pins and their functions are described below.

Table 2.2.1 Pin names and functions (1/4)

Pin name	Number of pins	I/O	Function
P00 to P07 AD0 to AD7	8	I/O Tri-state	Port 0: I/O port that allows selection of I/O on a bit basis Address/data (lower): Bits 0 to 7 of address/data bus
P10 to P17 AD8 to AD15 A8 to A15	8	I/O Tri-state Output	Port 1: I/O port that allows selection of I/O on a bit basis Address data (upper): Bits 8 to 15 of address/data bus Address: 8 to 15 of address bus
P20 to P27 A0 to A7 A16 to A23	8	I/O Output Output	Port 2: I/O port that allows selection of I/O on a bit basis (with pull-up resistor) Address: Bits 0 to 7 of address bus Address: Bits 16 to 23 of address bus
P30 RD	1	Output Output	Port 30: Output port Read: Strobe signal for reading external memory
P31 $\overline{WR}$	1	Output Output	Port 31: Output port Write: Strobe signal for writing data on pins AD0 to 7
P32 $\overline{HWR}$	1	I/O Output	Port 32: I/O port (with pull-up resistor) High write: Strobe signal for writing data on pins AD8 to 15
P33 $\overline{WAIT}$	1	I/O Input	Port 33: I/O port (with pull-up resistor) Wait: Pin used to request CPU bus wait
P34 BUSRQ	1	I/O Input	Port34: I/O port(with pull-up resistor) Bus request: Signal used to request high impedance for AD0 to 15, A0 to 23, $\overline{RD}$ , $\overline{WR}$ , $\overline{HWR}$ , $R/\overline{W}$ , $\overline{RAS}$ , $\overline{CS0}$ , $\overline{CS1}$ , and $\overline{CS2}$ pins. (For external DMAC)
P35 $\overline{BUSAK}$	1	I/O Output	Port 35: I/O port (with pull-up resistor) Bus acknowledge: Signal indicating that AD0 to 15, A0 to 23, $\overline{RD}$ , $\overline{WR}$ , $\overline{HWR}$ , $R/\overline{W}$ , $\overline{RAS}$ , $\overline{CS0}$ , $\overline{CS1}$ , and $\overline{CS2}$ pins are at high impedance after receiving BUSRQ. (For external DMAC)
P36 $R/\overline{W}$	1	I/O Output	Port 36: I/O port (with pull-up resistor) Read/write: 1 represents read or dummy cycle; 0, write cycle.
P37	1	I/O	Port 37: I/O port (with pull-up resistor)
P40 $\overline{CS0}$ SCK1	1	I/O Output I/O	Port 40: I/O port (with pull-up resistor) Chip select 0: Outputs 0 when address is within specified address area. Serial clock I/O 1

Note: This device's built-in memory or built-in I/O cannot be accessed with the external DMA controller, using the  $\overline{BUSRQ}$  and  $\overline{BUSAK}$  signals.

Table 2.2.2 Pin names and functions (2/4)

Pin name	Number of pins	I/O	Function
P41 $\overline{CS1}$ SI1	1	I/O Output Input	Port 41: I/O port (with pull-up resistor) Chip select 1: Outputs 0 if address is within specified address area. Serial receive data 1
P42 $\overline{CS2}$ SO1	1	I/O Output Output	Port 42: I/O port (with pull-down resistor) Chip select 2: Outputs 0 if address is within specified address area. Serial send data 1
P50 to P52 AN0 to AN2	3	Input Input	Port5: Input port Analog input: Analog signal input for AD converter
P53 AN3 $\overline{ADTRG}$	1	Input Input Input	Port 53: Input Port Analog input = Analog signal input for AD converter AD external trigger
P54 to P57 AN4 to AN7	4	Input Input	Port 5: Input Port Analog input: Analog signal input for AD converter
VREFH	1	Input	Pin for high level reference voltage input to AD converter
VREFL	1	Input	Pin for low level reference voltage input to AD converter
P60 TXD2	1	I/O Output	Port 60: I/O port (Programmable open drain) Serial send data 2
P61 RXD2	1	I/O Input	Port 61: I/O port Serial receive data 2
P62 $\overline{CTS2}$ SCLK2	1	I/O Input I/O	Port 62: I/O port serial data send enable 2 (Clear To Send) Serial Clock I/O 2
P63 TXD3	1	I/O Output	Port 63: I/O port Serial send data 3
P64 RXD3	1	I/O Input	Port 64: I/O port Serial receive data 3
P65 $\overline{CTS3}$ SCLK3	1	I/O Input I/O	Port 65: I/O port Serial data send enable 3 (Clear To Send) Serial Clock I/O 3
P66 TXD4	1	I/O Output	Port 66: I/O port Serial send data 4
P67 RXD4	1	I/O Input	Port 67: I/O port Serial receive data 4
P70 TI0	1	I/O Input	Port 70: I/O port Timer input 0: timer 0 input
P71 TO1	1	I/O Output	Port 71: I/O port Timer output 1: Timer 0 or 1 output
P72 TO2	1	I/O Output	Port 72: I/O port PWM output 2: 8-bit PWM timer 2 output
P73 TO3	1	I/O Output	Port 73: I/O port PWM output 3: 8-bit PWM timer 3 output



Table 2.2.3 Pin names and functions (3/4)

Pin name	Number of pins	I/O	Function
P80 TI4 INT4	1	I/O Input Input	Port 80: I/O port Timer input 4: Timer 4 count/capture trigger signal input Interrupt request pin 4: Interrupt request pin with programmable rising/falling edge
P81 TI5 INT5	1	I/O Input Input	Port 81: I/O port Timer input 5: Timer 4 count/capture trigger signal input Interrupt request pin 5: Interrupt request pin with rising edge
P82 TO4	1	I/O Output	Port 82: I/O port Timer output4: Timer 4 output pin
P83 TO5	1	I/O Output	Port 83: I/O port Timer output 5: Timer 4 output pin
P84 TI6 INT6	1	I/O Input Input	Port 84: I/O port Timer input 6: Timer 5 count/capture trigger signal input Interrupt request pin 6: Interrupt request pin with programmable rising/falling edge
P85 TI7 INT7	1	I/O Input Input	Port 85: I/O port Timer input 7: Timer 5 count/capture trigger signal input Interrupt request pin 7: Interrupt request pin with rising edge
P86 TO6	1	I/O Output	Port 86: I/O port Timer output 6: Timer 5 output pin
P87 INT0	1	I/O Input	Port 87: I/O port Interrupt request pin 0: Interrupt request pin with programmable level/rising edge
P90 SDA SO5	1	I/O I/O Output	Port 90: I/O port (Programmable open-drain) SBI I <sup>2</sup> C bus mode channel data Serial send data 5
P91 SCL SI5	1	I/O I/O Input	Port 91: I/O port (Programmable open-drain) SBI I <sup>2</sup> C bus mode clock Serial receive data 5
P92 SCK5	1	I/O I/O	Port 92: I/O port Serial Clock I/O 5
P93 SO0	1	I/O Output	Port 93: I/O port (Programmable open-drain) Serial send data 0
P94 SI0	1	I/O Input	Port 94: I/O port Serial receive data 0
P95 SCK0	1	I/O I/O	Port 95: I/O port Serial clock I/O 0
PA0 to PA5	6	I/O	Port A0 to A5: I/O ports (large current output)
PA6	1	I/O	Port A6: I/O port

Table 2.2.4 Pin names and functions (4/4)

Pin name	Number of pins	I/O	Function
PA7 SCOUT	1	I/O Output	Port A7: I/O port System Clock Output: Outputs system clock or 2 times oscillation clock for synchronizing to external circuit.
$\overline{\text{WDTOU}}$	1	Output	Watchdog timer output pin
NMI	1	Input	Non-maskable interrupt request pin: Interrupt request pin with falling edge. Can also be operated at rising edge by program.
CLK	1	Output	Clock output: Outputs [System Clock $\div$ 2] Clock. Pulled-up during reset. can be disabled for reducing noise.
$\overline{\text{EA}}$	1	Input	Fixed to 1.
AM8/16	1	Input	Fixed to 1.
ALE	1	Output	Address Latch Enable (Can be disabled for reducing noise.)
$\overline{\text{RESET}}$	1	Input	Reset: Initializes LSI. (With pull-up resistor)
X1/X2	2	I/O	High Frequency Oscillator connecting pin
XT1	1	Input	Low Frequency Oscillator connecting pin
P96		I/O	Port 96: I/O port (Open-Drain Output)
XT2	1	Output	Low Frequency Oscillator connecting pin
P97		I/O	Port 97: I/O port (Open-Drain Output)
TEST1/TEST2	2	Output /Input	TEST1 Should be connected with TEST2 pin.
VCC	3		Power supply pin (All VCC pins are connected to the power supply source.)
VSS	3		GND pin (All Vss pins are connected to the GND (0 V).)
AVCC	1		Power supply pin for AD converter
AVSS	1		GND pin for AD converter (0 V)

Note: Built-in pull-up/pull-down resistors can be released from the pins other than the  $\overline{\text{RESET}}$  pin by software.

### 3. Operation

The following describes block by block the functions and basic operation of TMP91CW11.

Notes and restrictions for each block are outlined in 7, "Use Precautions and Restrictions" at the end of this manual.

#### 3.1 CPU

TMP91CW11 incorporates a high-performance 16-bit CPU (900/L1-CPU). For CPU operation, see the "TLCS-900/L1 CPU".

The following describes the unique functions of the CPU used in TMP91CW11; these functions are not covered in the TLCS-900/L1 CPU section.

##### 3.1.1 Reset

When resetting the TMP91CW11 microcontroller, ensure that the power supply voltage is within the operating voltage range, and that the internal high-frequency oscillator has stabilized. Then hold the  $\overline{\text{RESET}}$  input to low level for at least 10 system clocks (ten states: 16  $\mu\text{s}$  at 20 MHz), resetting initializes the clock gear to  $f_c/16$ .

When the reset is accepted, the CPU sets as follows:

- Sets as follows the program counter (PC) in accordance with the reset vector stored at address FFFF00H to FFFF02H:
  - PC (7 to 0) ← data located at FFFF00H
  - PC (15 to 8) ← data located at FFFF01H
  - PC (23 to 16) ← data located at FFFF02H
- Sets the stack pointer (XSP) to 100H.
- Sets bits <IFF2 to 0> of the status register (SR) to 111 (sets the interrupt level mask register to level 7).
- Sets the <MAX> bit of the status register to 1 (MAX mode).
 

(Note: As this product does not support a MIN mode, don't write 0 to <MAX>.)
- Clears bits <RFP2 to 0> of the status register to 000 (sets the register bank to 0).

When reset is released, the CPU starts executing instructions in accordance with the program counter settings. CPU internal registers not mentioned above do not change when the reset is released.

When the reset is accepted, the CPU sets internal I/O, ports, and other pins as follows.

- Initializes the internal I/O registers.
- Sets the port pins, including the pins that also act as internal I/O, to general-purpose input or output port mode.
- Sets  $\overline{\text{WDTOUT}}$  pin to 0. (Resetting enables the watchdog timer.)
- Pulls up the CLK pin to high level.

(Note: During reset, do not reduce the external voltage level as this can cause malfunction.)

- Sets ALE pin to High Impedance (High-Z).

Note 1: By resetting, register in the CPU except program counter (PC), status register (SR) and stack pointer (XSP) and the data in internal RAM are not changed.

Note 2: The CLK pin is pulled up during reset. When the voltage is put down externally, there is possible to cause malfunctions.

Figure 3.1.1 shows the reset timing chart of TMP91CW11.

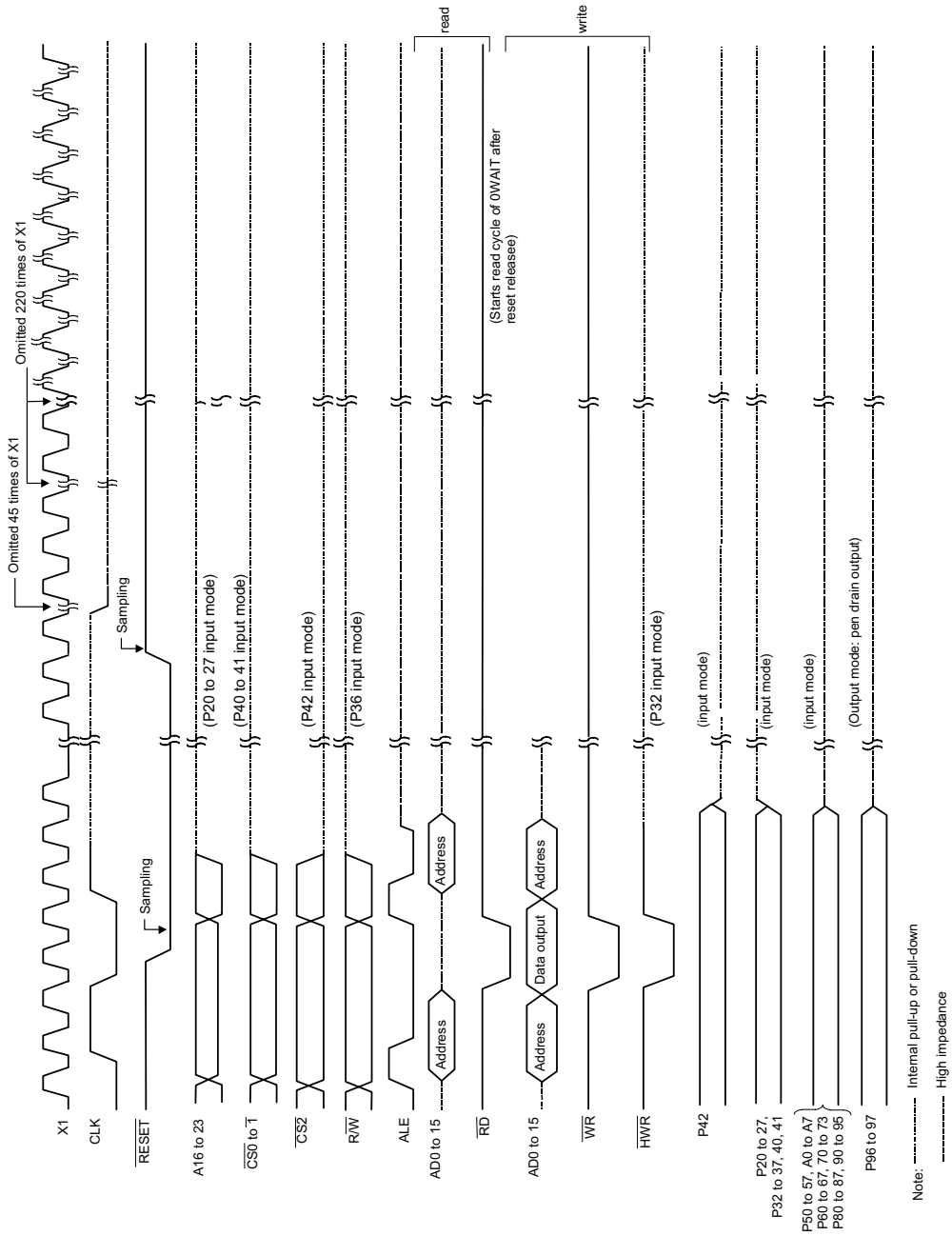
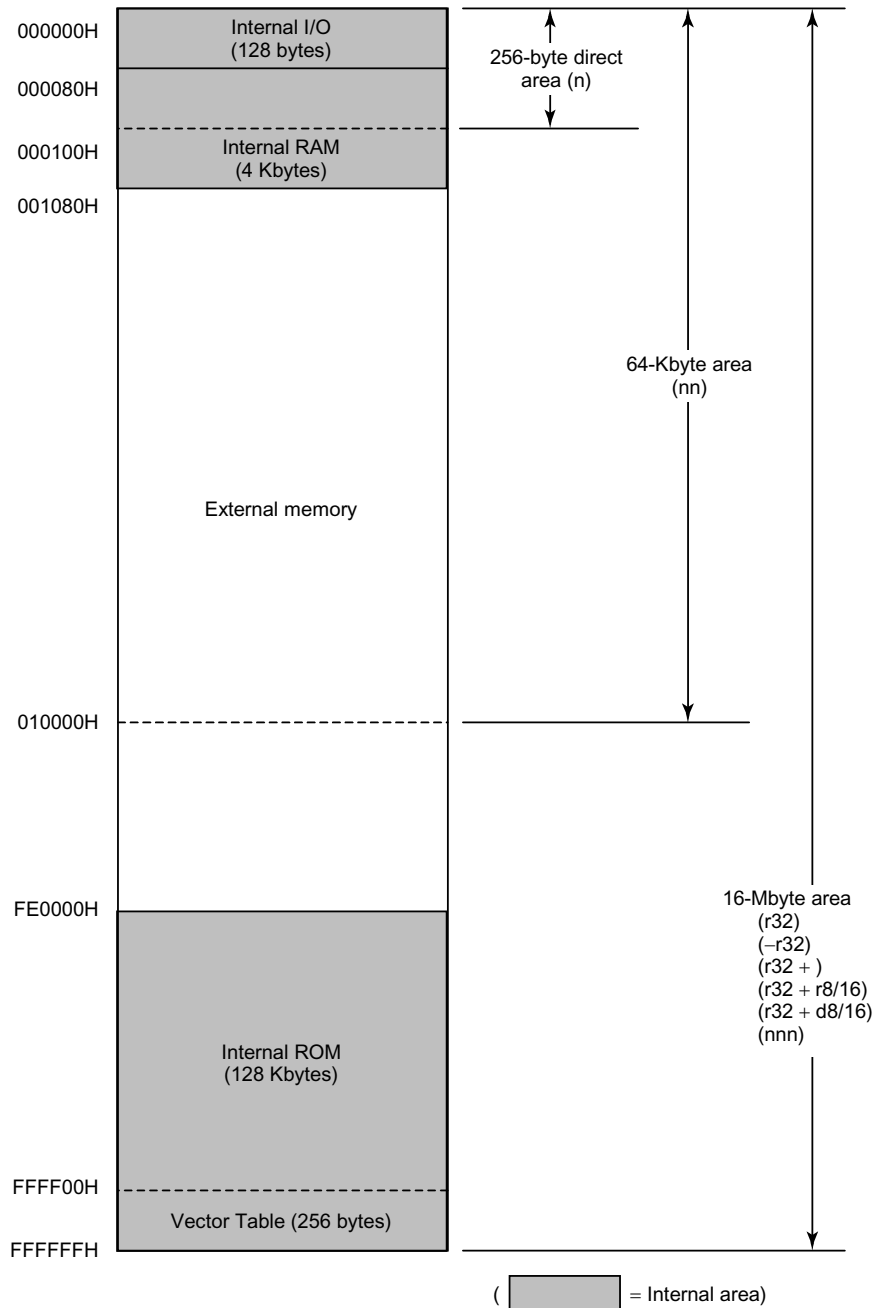


Figure 3.1.1 TMP91CW11 Reset timing chart

### 3.2 Memory Map

The TMP91CW11 uses an address space of 128 bytes as an internal I/O area, which is allocated to addresses 000000H to 00007FH. The CPU can access this internal I/O area with short instruction code using the direct addressing mode.

Figure 3.2.1 shows the memory map and the access ranges corresponding to the CPU addressing modes.



Note: After reset, the stack pointer XSP is set to 100H.

Figure 3.2.1 Memory map

## 4. Electrical Characteristics

### 4.1 Absolute Maximum Ratings

X used in an expression shows a frequency of clock  $f_{\text{FPH}}$  selected by SYSCR1 <SYSCK>. If a clock gear or a low speed oscillator is selected, a value of X is different. The value as an example is calculated at  $f_c$ , gear = 1/ $f_c$  (SYSCR1 <SYSCK, GEAR 2 to 0> = 0000).

Parameter	Symbol	Pin	Rating	Unit
Power Supply voltage	$V_{\text{CC}}$		-0.5 to 6.5	V
Input Voltage	$V_{\text{IN}}$		-0.5 to $V_{\text{CC}} + 0.5$	V
Output Voltage	$V_{\text{OUT}}$	P96, P97, PA0 to A5, P60, P91 to 93 (for open-drain)	-0.5 to $V_{\text{CC}} + 0.5$	V
Output Current (per pin)	$I_{\text{OUT1}}$	Only PA0 to A5	20	mA
	$I_{\text{OUT2}}$	Except PA0 to A5	2	mA
	$I_{\text{OUT3}}$		-2	mA
Output Current (total)	$\Sigma I_{\text{OUT1}}$	Total	120	mA
	$\Sigma I_{\text{OUT2}}$	PA0 to A5	80	mA
	$\Sigma I_{\text{OUT3}}$	Total	-80	mA
Power Dissipation ( $T_a = 85^\circ\text{C}$ )	P D		600	mW
Soldering Temperature	$T_{\text{solder}}$		260	$^\circ\text{C}$
Storage Temperature	$T_{\text{STG}}$		-65 to 150	$^\circ\text{C}$
Operating Temperature	$T_{\text{opr}}$		-40 to 85	$^\circ\text{C}$

Note: The absolute maximum ratings are rated values which must not be exceeded during operation, even for an instant. Any one of the ratings must not be exceeded. If any absolute maximum rating is exceeded, a device may break down or its performance may be degraded, causing it to catch fire or explode resulting in injury to the user. Thus, when designing products which include this device, ensure that no absolute maximum rating value will ever be exceeded.

4.2 DC Characteristics (1/2) ( $V_{SS} = 0\text{ V}$ ,  $T_a = -40\text{ to }85^\circ\text{C}$ )

Parameter	Symbol	Condition		Min	Typ. (note)	Max	Unit	
Power Supply Voltage $\left[ \begin{array}{l} V_{CC} = V_{CC} \\ V_{SS} = V_{SS} \end{array} \right]$	VCC	$f_c = 4\text{ to }25\text{ MHz}$	$f_s = 30\text{ to }34\text{ kHz}$	4.5		5.5	V	
		$f_c = 4\text{ to }12.5\text{ MHz}$		2.7				
Input Low Voltage	AD0 to 15	VIL	$V_{CC} \geq 4.5\text{ V}$	-0.3		0.8	V	
			$V_{CC} < 4.5\text{ V}$			0.6		
	P20 to 27, P32 to 37, P42, P50 to 57, P60 to 67, P70 to 73, P80 to 86, P93, P96, P97 to 37, PA0 to A7	VIL1	$V_{CC} = 2.7\text{ to }5.5\text{ V}$					$0.3 V_{CC}$
	$\overline{\text{RESET}}$ , $\overline{\text{NMI}}$ , P40 to 41, P87, P90 to 92, P94, P95	VIL2						$0.25 V_{CC}$
	$\overline{\text{EA}}$ , $\overline{\text{AM8/16}}$	VIL3						0.3
	X1	VIL4						$0.2 V_{CC}$
Input High Voltage	AD0 to 15	VIH	$V_{CC} \geq 4.5\text{ V}$	2.2		$V_{CC} + 0.3$	V	
			$V_{CC} < 4.5\text{ V}$	2.0				
	P20 to 27, P32 to 37, P42, P50 to 57, P60 to 67, P70 to 73, P80 to 86, P93, P96, P97 to 37, PA0 to A7	VIH1	$V_{CC} = 2.7\text{ to }5.5\text{ V}$		$0.7 V_{CC}$			
	$\overline{\text{RESET}}$ , $\overline{\text{NMI}}$ , P40 to 41, P87, P90 to 92, P94, P95	VIH2			$0.75 V_{CC}$			
	$\overline{\text{EA}}$ , $\overline{\text{AM8/16}}$	VIH3			$V_{CC} - 0.3$			
	X1	VIH4			$0.8 V_{CC}$			

Note: Typical values are for  $T_a = 25^\circ\text{C}$  and  $V_{CC} = 5\text{ V}$  unless otherwise noted.

4.2 DC Characteristic (2/2) ( $V_{SS} = 0\text{ V}$ ,  $T_a = -40\text{ to }85^\circ\text{C}$ )

Parameter	Symbol	Condition	Min	Typ. (Note 1)	Max	Unit		
Output Low Voltage (except PA0 to PA5)	$V_{OL}$	$I_{OL} = 1.6\text{ mA}$ ( $V_{CC} = 2.7\text{ to }5.5\text{ V}$ )			0.45	V		
Output Low Current (PA0 to 5)	$I_{OLA}$	$V_{OL} = 1.0\text{ V}$ ( $V_{CC} = 3\text{ V} \pm 10\%$ )	7			mA		
		$V_{OL} = 1.0\text{ V}$ ( $V_{CC} = 5\text{ V} \pm 10\%$ )	16					
Output High Voltage	$V_{OH1}$	$I_{OH} = -400\text{ }\mu\text{A}$ ( $V_{CC} = 3\text{ V} \pm 10\%$ )	2.4			V		
	$V_{OH2}$	$I_{OH} = -400\text{ }\mu\text{A}$ ( $V_{CC} = 5\text{ V} \pm 10\%$ )	4.2					
Darlington Drive Current (8 Output Pins max.)	$I_{DAR}$ (Note 2)	$V_{EXT} = 1.5\text{ V}$ $R_{EXT} = 1.1\text{ k}\Omega$ ( $V_{CC} = 5\text{ V} \pm 10\%$ only)	-1.0		-3.5	mA		
Input Leakage Current	$I_{LI}$	$0.0 \leq V_{IN} \leq V_{CC}$		0.02	$\pm 5$	$\mu\text{A}$		
Output Leakage Current	$I_{LO}$	$0.2 \leq V_{IN} \leq V_{CC} - 0.2$		0.05	$\pm 10$			
Power Down Voltage (at STOP, RAM Back up)	$V_{STOP}$	$V_{IL2} = 0.2 V_{CC}$ , $V_{IH2} = 0.8 V_{CC}$	2.0		6.0	V		
$\overline{\text{RESET}}$ Pull Up Resistor	$R_{RST}$	$V_{CC} = 5\text{ V} \pm 10\%$	50		150	$\text{k}\Omega$		
		$V_{CC} = 3\text{ V} \pm 10\%$	80		200			
Pin Capacitance	$C_{IO}$	$f_c = 1\text{ MHz}$			10	pF		
Schmitt Width $\overline{\text{RESET}}$ , $\overline{\text{NMI}}$ , P40, P41, P87, P90 to 92, P94, P95	$V_{TH}$		0.4	1.0		V		
Programmable Pull Down Resistor	$R_{KL}$	$V_{CC} = 5\text{ V} \pm 10\%$	10		80	$\text{k}\Omega$		
		$V_{CC} = 3\text{ V} \pm 10\%$	30		150			
Programmable Pull Up Resistor	$R_{KH}$	$V_{CC} = 5\text{ V} \pm 10\%$	50		150	$\text{k}\Omega$		
		$V_{CC} = 3\text{ V} \pm 10\%$	100		300			
NORMAL	$I_{CC}$	$V_{CC} = 5\text{ V} \pm 10\%$ $f_c = 25\text{ MHz}$		45	55	mA		
RUN				25	40			
IDLE2				15	30			
IDLE1				3	10			
NORMAL			$V_{CC} = 3\text{ V} \pm 10\%$ $f_c = 12.5\text{ MHz}$ (Typ: $V_{CC} = 3.0\text{ V}$ )		13		20	mA
RUN					7		11	
IDLE2				4	7.5			
IDLE1				0.8	1.8			
SLOW		$V_{CC} = 3\text{ V} \pm 10\%$ $f_s = 32.768\text{ kHz}$ (Typ: $V_{CC} = 3.0\text{ V}$ )			110	200	$\mu\text{A}$	
RUN					22	52		
IDLE2				14	52			
IDLE1				6	40			
STOP	$T_a \leq 50^\circ\text{C}$		$V_{CC}$ = 2.7 to 5.5 V		0.2	10		$\mu\text{A}$
	$T_a \leq 70^\circ\text{C}$			20				
	$T_a \leq 85^\circ\text{C}$	50						

Note 1: Typical values are for  $T_a = 25^\circ\text{C}$  and  $V_{CC} = 5\text{ V}$  unless otherwise noted.

Note 2: I-DAR is guaranteed for total of up to 8 ports.



## 4.3 AC Characteristics

- (1)  $V_{CC} = 5\text{ V} \pm 10\%$  ( $f_c = 4\text{ to }20\text{ MHz}$ )  
 ( $f_s = 30\text{ to }34\text{ kHz}$ )

External-bus access isn't supported  
 in over 20 MHz.

No.	Parameter	Symbol	Variable		16 MHz		20 MHz		Unit
			Min	Max	Min	Max	Min	Max	
1	Osc. Period (= x)	$t_{OSC}$	50	33.3 $\mu$ s	62.5		50		ns
2	CLK width	$t_{CLK}$	2x - 40		85		60		ns
3	A0 to 23 Valid $\rightarrow$ CLK Hold	$t_{AK}$	0.5x - 20		11		5		ns
4	CLK Valid $\rightarrow$ A0 to 23 Hold	$t_{KA}$	1.5x - 70		24		5		ns
5	A0 to 15 Valid $\rightarrow$ ALE fall	$t_{AL}$	0.5x - 15		16		10		ns
6	ALE fall $\rightarrow$ A0 to 15 Hold	$t_{LA}$	0.5x - 20		11		5		ns
7	ALE High pulse width	$t_{LL}$	x - 40		23		10		ns
8	ALE fall $\rightarrow$ $\overline{RD}/\overline{WR}$ fall	$t_{LC}$	0.5x - 25		6		0		ns
9	$\overline{RD}/\overline{WR}$ rise $\rightarrow$ ALE rise	$t_{CL}$	0.5x - 20		11		5		ns
10	A0 to 15 Valid $\rightarrow$ $\overline{RD}/\overline{WR}$ fall	$t_{ACL}$	x - 25		38		25		ns
11	A0 to 23 Valid $\rightarrow$ $\overline{RD}/\overline{WR}$ fall	$t_{ACH}$	1.5x - 50		44		25		ns
12	$\overline{RD}/\overline{WR}$ rise $\rightarrow$ A0 to 23 Hold	$t_{CA}$	0.5x - 25		6		0		ns
13	A0 to 15 Valid $\rightarrow$ D0 to 15 input	$t_{ADL}$		3.0x - 55		133		95	ns
14	A0 to 23 Valid $\rightarrow$ D0 to 15 input	$t_{ADH}$		3.5x - 65		154		110	ns
15	$\overline{RD}$ fall $\rightarrow$ D0 to 15 input	$t_{RD}$		2.0x - 60		65		40	ns
16	$\overline{RD}$ Low pulse width	$t_{RR}$	2.0x - 40		85		60		ns
17	$\overline{RD}$ rise $\rightarrow$ D0 to 15 Hold	$t_{HR}$	0		0		0		ns
18	$\overline{RD}$ rise $\rightarrow$ A0 to 15 output	$t_{RAE}$	x - 15		48		35		ns
19	$\overline{WR}$ Low pulse width	$t_{WW}$	2.0x - 40		85		60		ns
20	D0 to 15 Valid $\rightarrow$ $\overline{WR}$ rise	$t_{DW}$	2.0x - 55		70		45		ns
21	$\overline{WR}$ rise $\rightarrow$ D0 to 15 Hold	$t_{WD}$	0.5x - 15		16		10		ns
22	A0 to 23 Valid $\rightarrow$ $\overline{WAIT}$ input (1WAIT + n mode)	$t_{AWH}$		3.5x - 90		129		85	ns
23	A0 to 15 Valid $\rightarrow$ $\overline{WAIT}$ input (1WAIT + n mode)	$t_{AWL}$		3.0x - 80		108		70	ns
24	$\overline{RD}/\overline{WR}$ fall $\rightarrow$ $\overline{WAIT}$ Hold (1WAIT + n mode)	$t_{CW}$	2.0x + 0		125		100		ns
25	A0 to 23 Valid $\rightarrow$ PORT input	$t_{APH}$		2.5x - 120		36		5	ns
26	A0 to 23 Valid $\rightarrow$ PORT Hold	$t_{APH2}$	2.5x + 50		206		175		ns
27	$\overline{WR}$ rise $\rightarrow$ PORT Valid	$t_{CP}$		200		200		200	ns

## AC Measuring Conditions

- Output Level: High 2.2 V / Low 0.8 V,  $CL = 50\text{ pF}$   
 (However  $CL = 100\text{ pF}$  for AD0 to AD15, A0 to A23, ALE,  $\overline{RD}$ ,  $\overline{WR}$ ,  $\overline{HWR}$ ,  $R/\overline{W}$ , CLK)
- Input Level: High 2.4 V / Low 0.45 V (AD0 to AD15)  
 High 0.8 V<sub>CC</sub> / Low 0.2 V<sub>CC</sub> (Except for AD0 to AD15)

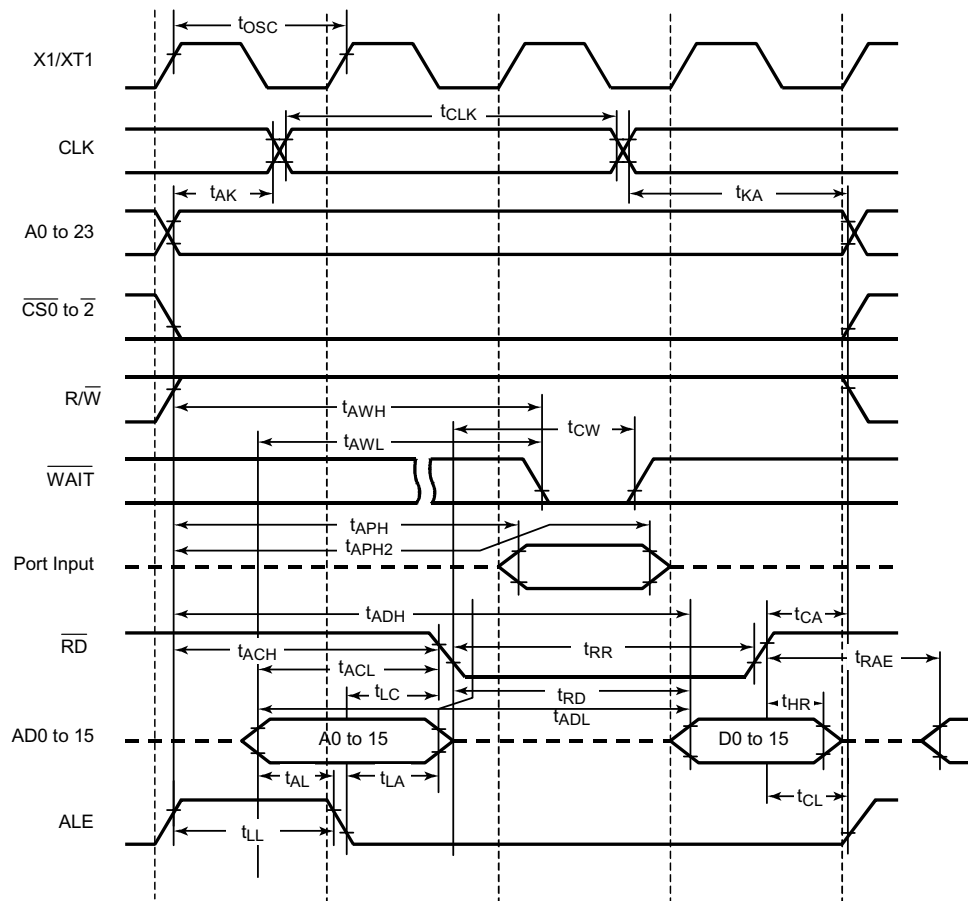
- (2)  $V_{cc} = 3\text{ V} \pm 10\%$  ( $f_c = 4$  to  $12.5\text{ MHz}$ )  
 ( $f_s = 30$  to  $34\text{ kHz}$ )

No.	Parameter	Symbol	Variable		12.5 MHz		Unit
			Min	Max	Min	Max	
1	Osc. Period (= x)	t <sub>OSC</sub>	80	33.3 μs	80		ns
2	CLK width	t <sub>CLK</sub>	2x - 40		120		ns
3	A0 to 23 Valid→CLK Hold	t <sub>AK</sub>	0.5x - 30		10		ns
4	CLK Valid→A0 to 23 Hold	t <sub>KA</sub>	1.5x - 80		40		ns
5	A0 to 15 Valid→ALE fall	t <sub>AL</sub>	0.5x - 35		5		ns
6	ALE fall→A0 to 15 Hold	t <sub>LA</sub>	0.5x - 35		5		ns
7	ALE High width	t <sub>LL</sub>	x - 60		20		ns
8	ALE fall→RD/WR fall	t <sub>LC</sub>	0.5x - 35		5		ns
9	RD/WR rise→ALE rise	t <sub>CL</sub>	0.5x - 40		0		ns
10	A0 to 15 Valid→RD/WR fall	t <sub>ACL</sub>	x - 50		30		ns
11	A0 to 23 Valid→RD/WR fall	t <sub>ACH</sub>	1.5x - 50		70		ns
12	RD/WR rise→A0 to 23 Hold	t <sub>CA</sub>	0.5x - 40		0		ns
13	A0 to 15 Valid→D0 to 15 input	t <sub>ADL</sub>		3.0x - 110		130	ns
14	A0 to 23 Valid→D0 to 15 input	t <sub>ADH</sub>		3.5x - 125		155	ns
15	RD fall→D0 to 15 input	t <sub>RD</sub>		2.0x - 115		45	ns
16	RD Low pulse width	t <sub>RR</sub>	2.0x - 40		120		ns
17	RD rise→D0 to 15 Hold	t <sub>HR</sub>	0		0		ns
18	RD rise→A0 to 15 output	t <sub>RAE</sub>	x - 25		55		ns
19	WR Low pulse width	t <sub>WW</sub>	2.0x - 40		120		ns
20	D0 to 15 Valid→WR rise	t <sub>DW</sub>	2.0x - 120		40		ns
21	WR rise→D0 to 15 Hold	t <sub>WD</sub>	0.5x - 40		0		ns
22	A0 to 23 Valid→WAIT input (1WAIT + n mode)	t <sub>AWH</sub>		3.5x - 130		150	ns
23	A0 to 15 Valid→WAIT input (1WAIT + n mode)	t <sub>AWL</sub>		3.0x - 100		140	ns
24	RD/WR fall→WAIT Hold (1WAIT + n mode)	t <sub>CW</sub>	2.0x + 0		160		ns
25	A0 to 23 Valid→PORT input	t <sub>APH</sub>		2.5x - 120		80	ns
26	A0 to 23 Valid→PORT Hold	t <sub>APH2</sub>	2.5x + 50		250		ns
27	WR rise→PORT Valid	t <sub>CP</sub>		200		200	ns

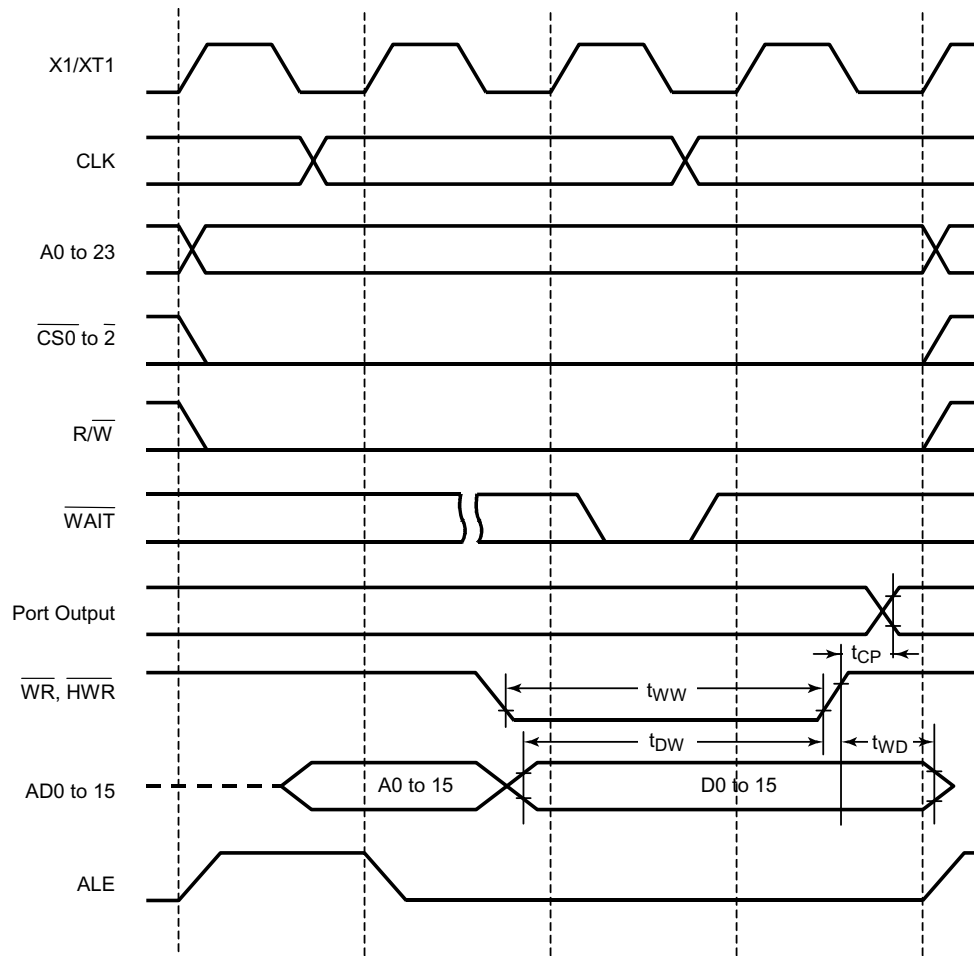
#### AC Measuring Conditions

- Output Level: High 0.7 V<sub>cc</sub> / Low 0.3 V<sub>cc</sub>, CL = 50 pF
- Input Level: High 0.9 V<sub>cc</sub> / Low 0.1 V<sub>cc</sub>

(1) Read Cycle



(2) Write Cycle



4.4 AD Conversion Characteristics ( $V_{SS} = 0\text{ V}$ ,  $AV_{CC} = V_{CC}$ ,  $AV_{SS} = V_{SS}$ ,  $T_a = -40\text{ to }85^\circ\text{C}$ ) $V_{CC} = +5\text{V} \pm 10\%$ , ( $f_c = 4\text{ to }25\text{ MHz}$ ) $V_{CC} = +3\text{V} \pm 10\%$ , ( $f_c = 4\text{ to }12.5\text{ MHz}$ )

Parameter	Symbol	Test Conditions	Min	Typ.	Max	Unit
AD analog reference supply voltage (+)	$V_{REFH}$		$V_{CC} - 0.2$		$V_{CC}$	V
AD analog reference supply voltage (-)	$V_{REFL}$		$V_{SS}$		$V_{SS} + 0.2$	
Analog reference voltage	$AV_{CC}$		$V_{CC} - 0.2$		$V_{CC}$	
Analog reference voltage	$AV_{SS}$		$V_{SS}$		$V_{SS} + 0.2$	
Analog input voltage	$V_{AIN}$		$V_{REFL}$		$V_{REFH}$	
Analog input impedance	$R_{AIN}$				5	k $\Omega$
Analog reference voltage supply current	$\langle V_{REFON} \rangle = 1$	$I_{REF}$	$V_{CC} = 5\text{ V} \pm 10\%$		3.7	mA
			$V_{CC} = 3\text{ V} \pm 10\%$		2.2	
	$\langle V_{REFON} \rangle = 0$		$V_{CC} = 2.7\text{ to }5.5\text{ V}$	0.02	5.0	$\mu\text{A}$
Total tolerance (excludes quantization error)	$E_T$		$V_{CC} = 5\text{ V} \pm 10\%$		$\pm 3$	LSB
			$V_{CC} = 3\text{ V} \pm 10\%$		$\pm 3$	

Note 1:  $1\text{LSB} = (V_{REFH} - V_{REFL})/2^{10}$  [V]Note 2: Power supply current  $I_{CC}$  from the VCC pin includes the power supply current from the AVCC pin.

## 4.5 Serial Channel Timing (Serial channel 2, 3 and 4)

## (1) SCLK Input Mode

Parameter	Symbol	Variable		32.768 MHz (Note)		12.5 MHz		20 MHz	
		Min	Max	Min	Max	Min	Max	Min	Max
SCLK cycle	$t_{SCY}$	16X		488 $\mu\text{s}$		1.28 $\mu\text{s}$		0.8 $\mu\text{s}$	
Output Data $\rightarrow$ Rising edge of SCLK	$t_{OSS}$	$t_{SCY}/2 - 5X - 50$		91.5 $\mu\text{s}$		190 ns		100 ns	
SCLK edge* $\rightarrow$ Output Data hold	$t_{OHS}$	5X - 100		152 $\mu\text{s}$		300 ns		150 ns	
SCLK edge* $\rightarrow$ Input Data hold	$t_{HSR}$	0		0		0		0	
SCLK edge* $\rightarrow$ effective data input	$t_{SRD}$		$t_{SCY} - 5X - 100$		336 $\mu\text{s}$		780 ns		450 ns

\* It is rising edge in using rising edge mode and falling edge in using falling edge mode.

## (2) SCLK Output Mode

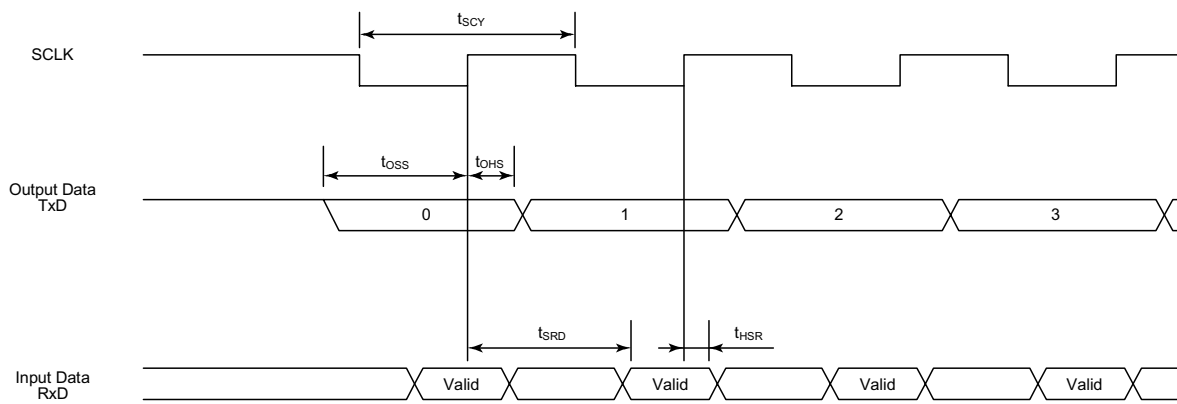
Parameter	Symbol	Variable		32.768 MHz (Note)		12.5 MHz		20 MHz	
		Min	Max	Min	Max	Min	Max	Min	Max
SCLK cycle (Programmable)	$t_{SCY}$	16X	8192X	488 $\mu\text{s}$	250 ms	1.28 $\mu\text{s}$	655.36 $\mu\text{s}$	0.8 $\mu\text{s}$	409.6 $\mu\text{s}$
Output Data $\rightarrow$ SCLK rising edge	$t_{OSS}$	$t_{SCY} - 2X - 150$		427 $\mu\text{s}$		970 ns		550 ns	
SCLK rising edge $\rightarrow$ Output Data hold	$t_{OHS}$	2X - 80		60 $\mu\text{s}$		80 ns		20 ns	
SCLK rising edge $\rightarrow$ Input Data hold	$t_{HSR}$	0		0		0		0	
SCLK rising edge $\rightarrow$ effective data input	$t_{SRD}$		$t_{SCY} - 2X - 150$		428 $\mu\text{s}$		970 ns		550 ns

## (3) SCLK Input Mode (UART mode)

Symbol	Parameter	Variable		32.768 MHz (Note)		12.5 MHz		20 MHz	
		Min	Max	Min	Max	Min	Max	Min	Max
$t_{SCY}$	SCLK cycle	$4X + 20$		122 $\mu\text{s}$		340 ns		220 ns	
$t_{SCYL}$	Low level SCLK Pulse width	$2X + 5$		6 $\mu\text{s}$		165 ns		105 ns	
$t_{SCYH}$	High level SCLK Pulse width	$2X + 5$		6 $\mu\text{s}$		165 ns		105 ns	

Note: fs is used as system clock or input clock to prescaler.

Timing Chart for I/O Interface Mode



Note: SCLK is reversed in SCLK input falling mode.

### 4.6 Timer/Counter Input Clock (TI0, TI4, TI5, TI6, TI7)

Parameter	Symbol	Variable		12.5 MHz		20 MHz		Unit
		Min	Max	Min	Max	Min	Max	
Clock Cycle	$t_{VCK}$	$8X + 100$		740		500		ns
Low level pulse width	$t_{VCKL}$	$4X + 40$		360		240		ns
High level pulse width	$t_{VCKH}$	$4X + 40$		360		240		ns

### 4.7 Interrupt and Capture

(1)  $\overline{NMI}$ , INT0 interrupts

Parameter	Symbol	Variable		12.5 MHz		20 MHz		Unit
		Min	Max	Min	Max	Min	Max	
$\overline{NMI}$ , INT0 Low level pulse width	$t_{INTAL}$	$4X$		320		200		ns
$\overline{NMI}$ , INT0 High level pulse width	$t_{INTAH}$	$4X$		320		200		ns

(2) INT4 to 7

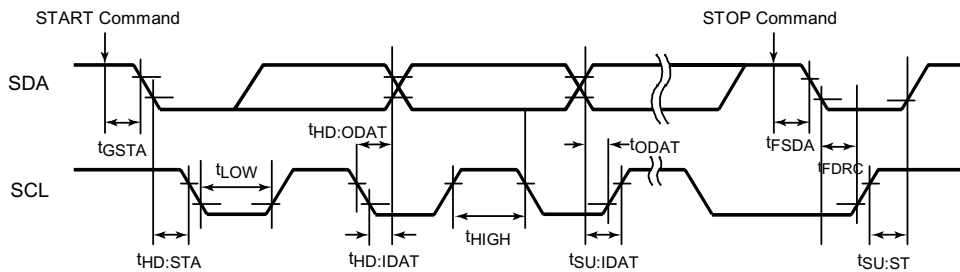
Parameter	Symbol	Variable		12.5 MHz		20 MHz		Unit
		Min	Max	Min	Max	Min	Max	
INT4 to INT7 Low level pulse width	$t_{INTBL}$	$4X + 100$		420		300		ns
INT4 to INT7 High level pulse width	$t_{INTBH}$	$4X + 100$		420		300		ns

### 4.8 Serial Bus Interface Timing

(1) I<sup>2</sup>C bus Mode

Parameter	Symbol	Variable			Unit
		Min	Typ	Max	
START command → SDA fall	$t_{GSTA}$	$3X$			s
Hold time START condition	$t_{HD:STA}$	$2^nX$			s
SCL Low level pulse width	$t_{LOW}$	$2^nX$			s
SCL High level pulse width	$t_{HIGH}$	$2^nX + 8X$			s
Data hold time (input)	$t_{HD:IDAT}$	0			ns
Data set-up time (input)	$t_{SU:IDAT}$	250			ns
Data hold time (output)	$t_{HD:ODAT}$	$7X$		$11X$	s
Data output → SCL Rising edge	$t_{ODAT}$		$2^nX - t_{HD:ODAT}$		s
STOP command → SDA falling edge	$t_{FSDA}$	$3X$			s
SDA Falling edge → SCL Rising edge	$t_{FDRC}$	$2^nX$			s
Set-up time STOP condition	$t_{SU:STO}$	$2^nX + 16X$			s

Note: n value is set by SBICR1 <SCK2 to 0>



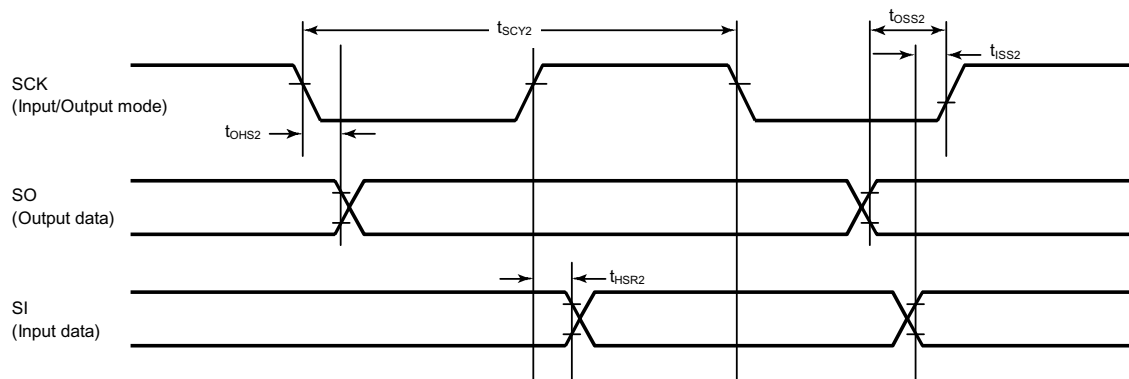
(2) Clocked-synchronous 8-bit SIO Mode

a. SCK Input Mode

Parameter	Symbol	Variable		Unit
		Min	Max	
SCK cycle	$t_{SCY2}$	$2^5X$		s
SCK falling edge → Output data hold	$t_{OHS2}$	$6X$		s
Output data → SCK rising edge	$t_{OSS2}$		$t_{SCY2}/2 - 6X$	s
SCK rising edge → Input data hold	$t_{HSR2}$	$6X$		ns
Input data → SCK rising edge	$t_{ISS2}$	0		ns

b. SCK Output Mode

Parameter	Symbol	Variable		Unit
		Min	Max	
SCK cycle	$t_{SCY2}$	$2^5X$	$2^{11}X$	s
SCK falling edge → Output data hold	$t_{OHS2}$	$2X$		s
Output data → SCK rising edge	$t_{OSS2}$		$t_{SCY2}/2 - 2X$	s
SCK rising edge → Input data hold	$t_{HSR2}$	$2X$		s
Input data → SCK rising edge	$t_{ISS2}$	0		ns





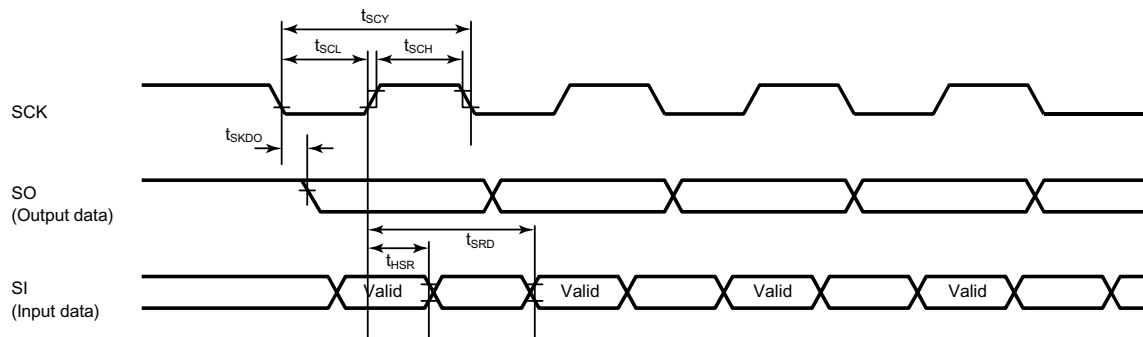
### 4.9 Timing Chart for Serial Channel 0,1

#### a. SCK input mode

Parameter	Symbol	Variable		Unit
		Min	Max	
SCK cycle	$t_{SCY}$	16X		ns
SCK falling edge → Output data hold	$t_{SKDO}$	6X		ns
SCK rising edge → Effective data input	$t_{SRD}$		$t_{SCY} - 2X$	ns
SCK rising edge → Input data hold	$t_{HSR}$	6X		ns

#### b. SCK output mode

Parameter	Symbol	Variable		Unit
		Min	Max	
SCK cycle	$t_{SCY}$	16X		ns
SCK falling edge → Output data hold	$t_{SKDO}$	2X		ns
SCK rising edge → Effective data input	$t_{SRD}$		$t_{SCY} - 2X$	ns
SCK rising edge → Input data hold	$t_{HSR}$	2X		ns

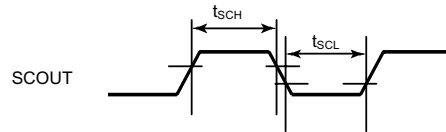


## 4.10 SCOUT pin AC characteristics

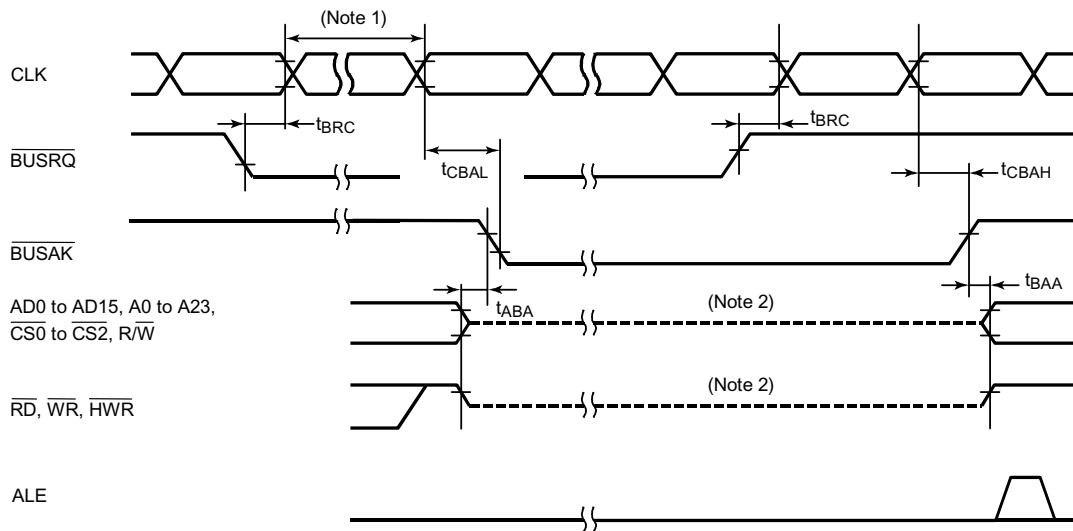
Parameter	Symbol	Variable		12.5 MHz		20 MHz		Unit
		Min	Max	Min	Max	Min	Max	
High-level pulse width VCC = 5 V ± 10% VCC = 3 V ± 10%	t <sub>SCH</sub>	0.5X - 10		30		15		ns
		0.5X - 20		20		—		ns
Low-level pulse width VCC = 5 V ± 10% VCC = 3 V ± 10%	t <sub>SCL</sub>	0.5X - 10		30		15		ns
		0.5X - 20		20		—		ns

## Measurement condition

- Output level: High 2.2 V / Low 0.8 V, CL = 10 pF



4.11 Timing Chart for Bus Request ( $\overline{\text{BUSRQ}}$ )/Bus Acknowledge ( $\overline{\text{BUSAK}}$ )



Parameter	Symbol	Variable		12.5 MHz		20 MHz		Unit
		Min	Max	Min	Max	Min	Max	
$\overline{\text{BUSRQ}}$ set-up time to CLK	$t_{\text{BRC}}$	120		120		120		ns
CLK $\rightarrow$ $\overline{\text{BUSAK}}$ falling edge	$t_{\text{CBAL}}$		$1.5X + 120$		240		195	ns
CLK $\rightarrow$ $\overline{\text{BUSAK}}$ rising edge	$t_{\text{CBAH}}$		$0.5X + 40$		80		65	ns
Output Buffer is off to $\overline{\text{BUSAK}}$	$t_{\text{ABA}}$	0	80	0	80	0	80	ns
$\overline{\text{BUSAK}}$ to Output Buffer is on.	$t_{\text{BAA}}$	0	80	0	80	0	80	ns

Note 1: The Bus will be released after the  $\overline{\text{WAIT}}$  request is inactive, when the  $\overline{\text{BUSRQ}}$  is set to 0 during Wait cycle.

Note 2: This line shows the output buffer is off-state. It doesn't indicate the signal level is fixed. Just after the bus is released, the signal level which is set before the bus is released is kept dynamically by the external capacitance. Therefore, to fix the signal level by an external resistor during bus releasing, designing is executed carefully because the level - fix will be delayed.

The internal programmable pull-up/pull-down resistor is switched active/non-active by an internal signal.