

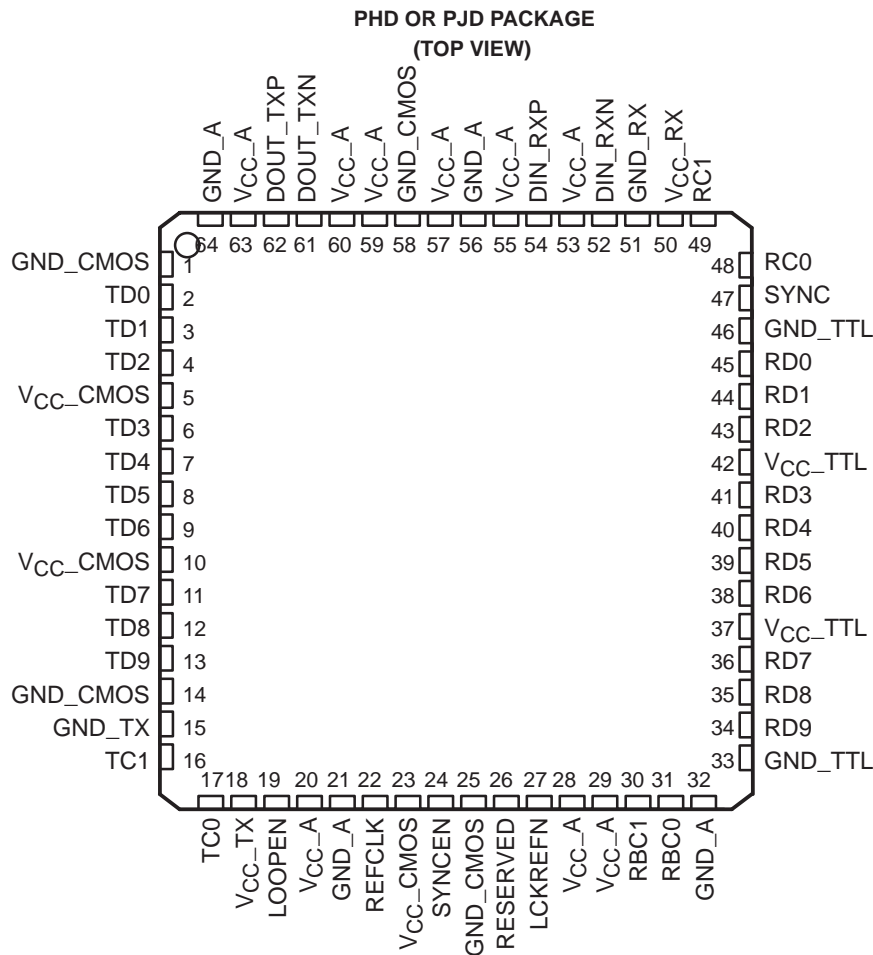
TNETE2201A 1.25-GIGABIT ETHERNET TRANSCEIVER

SLLS342 – MARCH 1999

- 1.25 Gigabits Per Second (Gbps) Gigabit Ethernet Transceiver
- Based On the P802.3Z Specification
- Transmits Serial Data Up to 1.25 Gbps
- Operates With 3.3-V Supply Voltage
- 5-V Tolerant on TTL Inputs
- Interfaces to Electrical Cables/Backplane or Optical Modules
- PECL Voltage Differential Signaling Load, 1 V Typ with 50 Ω – 75 Ω
- Receiver Differential Input Voltage 200 mV Minimum
- Low Power Consumption
- 64-Pin Quad Flat Pack With Thermally Enhanced Package

description

The TNETE2201A gigabit Ethernet transceiver provides for ultra high-speed bidirectional point-to-point data transmission. This device is based on the timing requirements of the proposed 10-bit interface specification by the P802.3z Gigabit Task Force.



Please be aware that an important notice concerning availability, standard warranty, and use in critical applications of Texas Instruments semiconductor products and disclaimers thereto appears at the end of this data sheet.

PRODUCTION DATA information is current as of publication date. Products conform to specifications per the terms of Texas Instruments standard warranty. Production processing does not necessarily include testing of all parameters.

**TEXAS
INSTRUMENTS**

POST OFFICE BOX 655303 • DALLAS, TEXAS 75265

Copyright © 1999, Texas Instruments Incorporated

TNETE2201A

1.25-GIGABIT ETHERNET TRANSCEIVER

SLLS342 – MARCH 1999

description (continued)

The intended application of this device is to provide building blocks for developing point-to-point baseband data transmission over controlled-impedance media of approximately 50 Ω to 75 Ω . The transmission media can be printed circuit board traces, back planes, cables, or fiber optical media. The ultimate rate and distance of data transfer is dependent upon the attenuation characteristics of the media and the noise coupling to the environment.

The TNETE2201A performs the data serialization and deserialization (SERDES) functions for the gigabit ethernet physical layer interface. The transceiver operates at 1.25 Gbps (typical), providing up to 1000 Mbps of bandwidth over a copper or optical media interface. The serializer/transmitter accepts 8b/10b parallel encoded data bytes. The parallel data bytes are serialized and transmitted differentially nonreturn-to-zero (NRZ) at pseudo-ECL (PECL) voltage levels. The deserializer/receiver extracts clock information from the input serial stream and deserializes the data, outputting a parallel 10-bit data byte. The 10-bit data bytes are output with respect to two receive byte clocks (RBC0, RBC1), allowing a protocol device to clock the parallel bytes in RBC clock rising edges.

The transceiver automatically locks onto incoming data without the need to prelock. However, the transceiver can be commanded to lock to the externally supplied reference clock (REFCLK) as a reset function, if needed.

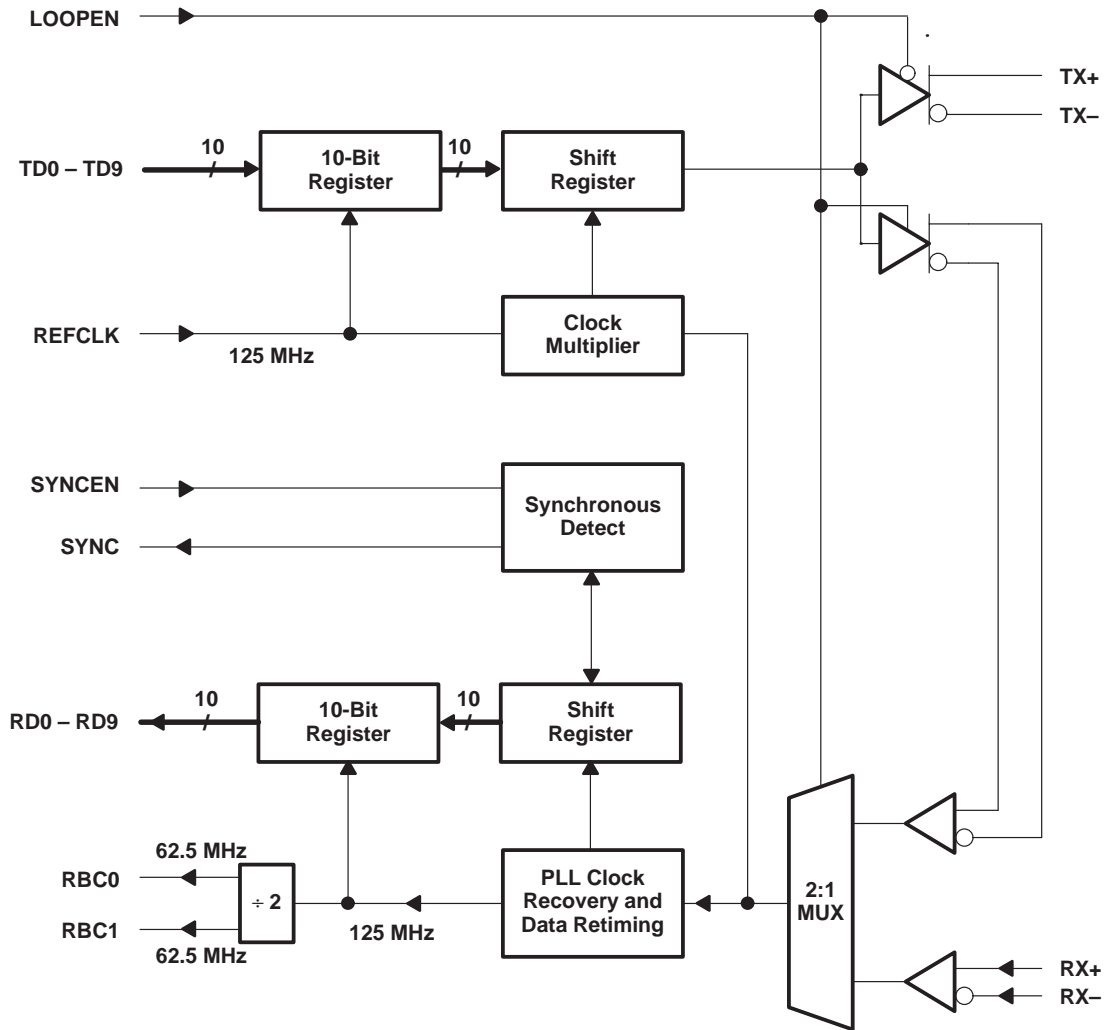
The TNETE2201A provides an internal loopback capability for self-test purposes. Serial data from the serializer is passed directly to the deserializer allowing the protocol device a functional self-check of the physical interface.

The TNETE2201A is characterized for operation from 0°C to 70°C.



POST OFFICE BOX 655303 • DALLAS, TEXAS 75265

functional block diagram

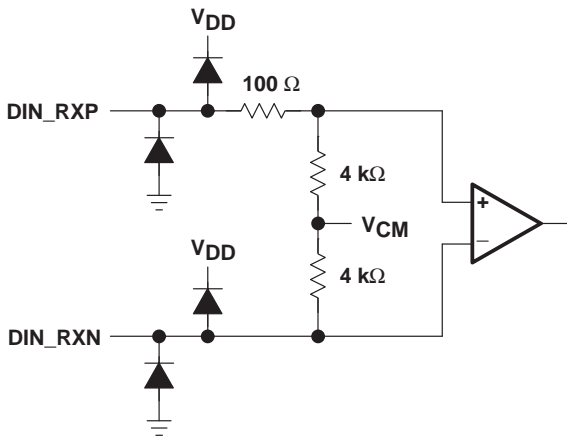


TNETE2201A 1.25-GIGABIT ETHERNET TRANSCEIVER

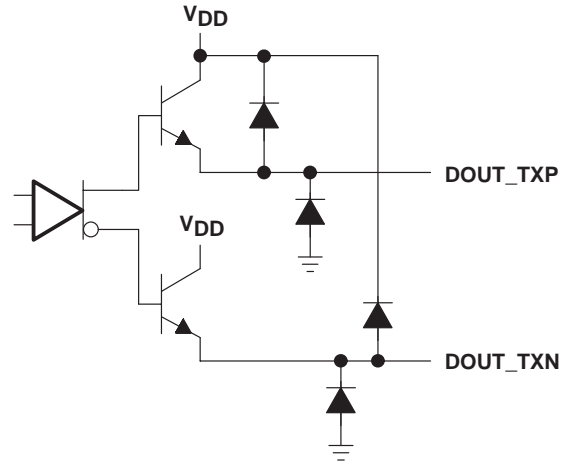
SLLS342 – MARCH 1999

I/O structures

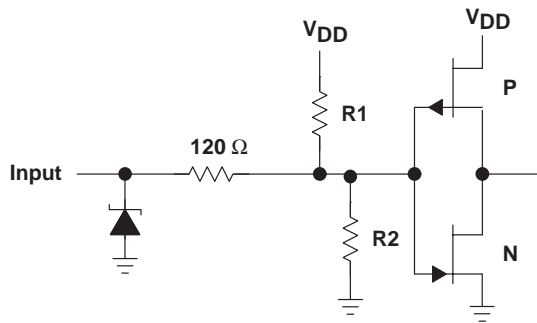
PECL inputs (DIN_RXP, DIN_RXN)



PECL outputs (DIN_TXP, DIN_TXN)

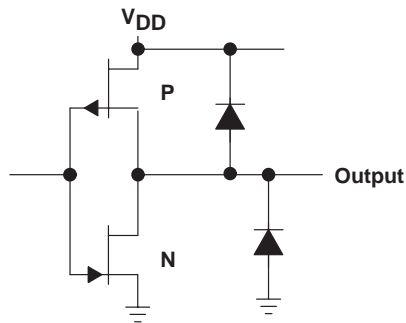


CMOS inputs (TD0 – TD9, LOOPEN, REFCLK, SYNCEN, LCKREFN)



| TERMINALS | R1 | R2 |
|-------------------|--------------|--------------|
| REFCLK, TD0 – TD9 | Open Circuit | Open Circuit |
| LOOPEN | Open Circuit | 400 kΩ |
| SYNCEN, LCKREFN | 400 kΩ | Open Circuit |

CMOS outputs (RD0 – RD9, RBC0, RBC1, SYNC)



Terminal Functions

| TERMINAL | | | DESCRIPTION |
|----------------------|-------------------------------------|--------|--|
| NAME | NO. | TYPE | |
| I/O and DATA | | | |
| DOUT_TXP DOUT_TXN | 62 61 | Output | Differential output transmit. DOUT_TXP and DOUT_TXN are differential serial outputs that interface to a copper or an optical I/F module. These terminals transmit NRZ data at a rate of 1.25 Gbps. DOUT_TXP and DOUT_TXN are held static when LOOPEN is high and are active when LOOPEN is low . |
| DIN_RXP DIN_RXN | 54 52 | Input | Differential input receive. DIN_RXP and DIN_RXN together are the differential serial input interface from a copper or an optical I/F module. These terminals receive NRZ data at a rate of 1.25 Gbps and are active when LOOPEN is held low. |
| LCKREFN | 27 | Input | Lock to reference. When LCKREFN is asserted low, the receive PLL phase locks to the supplied REFCLK signal. LCKREFN prelocks or resets the receive PLL. |
| LOOPEN | 19 | Input | Loop enable. When LOOPEN is high (active), the internal loop-back path is activated. The transmitted serial data is directly routed to the inputs of the receiver. This provides a self-test capability in conjunction with the protocol device. The DOUT_TXP and DOUT_TXN outputs are held static during the loop-back test. LOOPEN is held low during standard operational state with external serial outputs and inputs active. |
| RBC0 RBC1 | 31 30 | Output | Receive byte clock. RBC0 and RBC1 are 62.5-MHz recovered clocks used for synchronizing the 10-bit output data on RD0 – RD9. The 10-bit output data words are valid on the rising edges of RBC0 and RBC1. These clocks are adjusted to half-word boundaries in conjunction with synchronous detect. The clocks are always expanded during data realignment and never slivered or truncated. RBC0 registers bytes 1 and 3 of received data. RBC1 registers bytes 0 and 2 of received data. |
| RC1, RC0 | 49 48 | Analog | Receive capacitor. RC0 and RC1 are external capacitor connections used for the receiver internal PLL filter. The recommend value for this external capacitor is 2 nF (a value of 0.1 μF can also be used). |
| RD0 – RD9 | 45,44,43,41 40,39,38,36 35,34 | Output | Receive data. These outputs carry 10-bit parallel data output from the transceiver to the protocol layer. The data is referenced to terminals RBC0 and RBC1. Received data byte 0, which contains the K28.5 character, is byte aligned to the rising edge of RBC1. RD0 is the first bit received. |
| REFCLK | 22 | Input | Reference clock. REFCLK is an external 125 MHz input clock that synchronizes the receiver and transmitter interfaces. The transmitter uses this clock to register the 10-bit input data (TD0..TD9) for serialization. REFCLK is also used as a RX PLL preset or reference when LCKREFN is enabled. |
| SYNC | 47 | Output | Synchronous detect. SYNC is asserted high upon detection of the K28.5 character in the serial data path. SYNC is a high level for 1/2 REFCLK period. SYNC pulses are output only when SYNCEN is activated (asserted high). Note: SYNC is active on byte0 and, therefore, active on rising edge of RCB1. |
| SYNCEN | 24 | Input | Synchronous function enable. When SYNCEN is asserted high, the internal synchronization function is activated. When this function is enabled, the transceiver detects the K28.5 character (001111010 negative beginning disparity) in the serial data stream and realigns data on byte boundaries if required. When SYNCEN is low, serial input data is unframed in RD0 – RD9. |
| TC1 TC0 | 16 17 | Analog | Transmit capacitor. TC0 and TC1 are external capacitor connections used for the transmitter internal PLL filter. The recommended value of this external capacitor is 2 nF. |
| TD0 – TD9 | 2,3,4,6 7,8,9,11 12,13 | Input | Transmit data. These inputs carry 10-bit parallel data output from a protocol device to the transceiver for serialization and transmission. This 10-bit parallel data is clocked into the transceiver on the rising edge of REFCLK and transmitted as a serial stream with TD0 sent as the first bit. |

TNETE2201A

1.25-GIGABIT ETHERNET TRANSCEIVER

SLLS342 – MARCH 1999

Terminal Functions (Continued)

| TERMINAL | | | DESCRIPTION |
|----------------------|----------------------------------|--------|---|
| NAME | NO. | TYPE | |
| POWER | | | |
| V _{CC_A} | 20,28,29,53 55,57,59,60 63 | Supply | Analog power. V _{CC_A} provides a supply reference voltage for the high-speed analog circuits. |
| V _{CC_CMOS} | 5,10,23, | Supply | Digital PECL logic power. V _{CC_CMOS} provides an isolated low-noise power supply for the logic circuits. |
| V _{CC_RX} | 50 | Supply | Receiver power. V _{CC_RX} provides a low-noise supply reference voltage for the receiver high-speed analog circuits. |
| V _{CC_TTL} | 42,37 | Supply | TTL power. V _{CC_TTL} provides a supply reference voltage for the receiver TTL circuits. |
| V _{CC_TX} | 18 | Supply | Transmitter power. V _{CC_TX} provides a low-noise supply reference voltage for the transmitter high-speed analog circuits. |
| GROUND | | | |
| GND_A | 21,32,56,64 | Ground | Analog ground. GND_A provides a ground reference for the high-speed analog circuits. |
| GND_CMOS | 1,14, 25,58 | Ground | Digital PECL logic ground. GND_CMOS provides an isolated low-noise ground for the logic circuits. |
| GND_RX | 51 | Ground | Receiver ground. GND_RX provides a ground reference for the receiver circuits. |
| GND_TTL | 33,46 | Ground | TTL circuit ground. GND_TTL provides a ground for TTL interface circuits. |
| GND_TX | 15 | Ground | Transmitter ground. GND_TX provides a ground reference for the transmitter circuits. |
| MISCELLANEOUS | | | |
| RESERVED | 26 | | Reserved. Internally pulled to GND, leave open or assert low. |

detailed description

data transmission

The transmitter registers incoming 10-bit-wide data words (8b/10b encoded data, TD0..TD9) on the rising edge of REFCLK (125 MHz). The reference clock is also used by the serializer, which multiplies the clock by a factor of 10 providing a 1.25 Gbaud signal that is fed to the shift register. The data is then transmitted differentially at PECL voltage levels. The 8b/10b encoded data is transmitted sequentially bit 0 through 9.

transmission latency

The data transmission latency of the TNETE2201A is defined as the delay from the initial 10-bit word load to the serial transmission of bit 9. The typical transmission latency is 9 ns.

data reception

The receiver of the TNETE2201A deserializes 1.25 Gbps differential serial data. The 8b/10b data (or equivalent) is retimed based on an extracted clock from the serial data. The serial data is then aligned to the 10-bit word boundaries and presented to the protocol controller along with two receive byte clocks (RBC0, RBC1). RBC0 and RBC1 are 180 degrees out of phase and are generated by dividing down the recovered 1.25 Gbps (625 MHz) clock by 10 providing for two 62.5-MHz signals. The receiver presents the protocol device byte 0 of the received data valid on the rising edge of RBC1.

NOTE:

This allows the option of byte alignment without the use of the synchronous detection (SYNC) function by the protocol device.

The receiver PLL can lock to the incoming 1.25 GHz data without the need for a lock-to-reference preset. The received serial data rate (RX+ and RX-) should be 1.25 Gbps \pm 0.01% (100 ppm) for proper operation.



data reception (continued)

During a bus error condition or word alignment, the receive byte clocks RBC0 and RBC1 are stretched (never truncated). When the incoming serial data does not meet its frequency requirements, then the receive byte clock frequency is maintained at 62.5 MHz.

receive PLL operation

The receive PLL provides automatic locking to the incoming data. At power-up, the maximum initial lock time is 500 μ s. The PLL can also be initiated or set to phase lock to the externally supplied reference clock by enabling lock-to-reference (LCKREFN). The lock-to-reference causes the receive PLL to lock to 10 \times the reference clock (REFCLK) input providing a PLL preset and reset capability.

If during normal operation a transient occurs, which is defined as any arbitrary phase shift in the incoming data and/or a frequency wander of up to 200 ppm, then the PLL recovers lock within 2.4 μ s. Any condition exceeding these values is considered a power-up scenario and the PLL recovers lock within 500 μ s with a 0.1 μ F capacitor the PLL recovers lock within 10 ms on power up.

receiver word alignment

The TNETE2201A uses a 10-bit K28.5 character (comma character) word alignment scheme. The following sections explain how this scheme works and how it realigns itself.

comma character on expected boundary

The TNETE2201A provides 10-bit K28.5 character recognition and word alignment. The 10-bit word alignment is enabled by forcing SYCNEN high. This enables the function that examines and compares ten bits of serial input data to the K28.5 synchronization character. The K28.5 character is defined in the fibre channel standard as a pattern consisting of 0011111010 (a negative number beginning disparity) with the 7 MSBs (0011111) referred to as the comma character. The K28.5 character was implemented specifically for aligning data words. As long as the K28.5 character falls within the expected 10-bit word boundary, the received 10-bit data is properly aligned and data realignment is not required. Figure 1 shows the timing characteristics of RBC0, RBC1, SYNC and RD0 – RD9 while synchronized.

NOTE:

The K28.5 character is valid on the rising edge of RBC1.

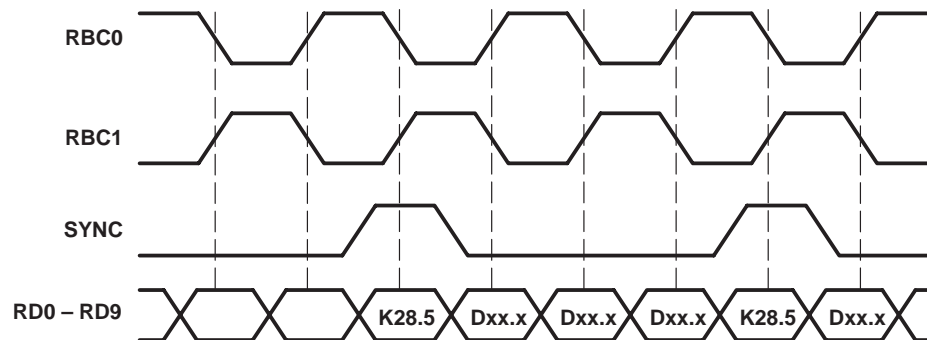


Figure 1. Synchronous Timing Characteristics Waveforms

TNETE2201A

1.25-GIGABIT ETHERNET TRANSCEIVER

SLLS342 – MARCH 1999

comma character not on expected boundary

When synchronization is enabled and a K28.5 character straddles the expected 10-bit word boundary, then word realignment is necessary. Realignment or shifting the 10-bit word boundary truncates the character following the misaligned K28.5, but the following K28.5 and all subsequent data is aligned properly as shown in Figure 2. The 10b specification requires that RCLK cycles can not be truncated and can only be stretched or stalled in their current state during realignment. With this design the maximum stretch that occurs is an extra 10 bit times. This occurs during a worst case scenario when the K28.5 is aligned to the falling edge of RBC1 instead of the rising edge. This system transmits a minimum of three consecutively ordered K28.5 data sets between frames and ensures that the receiver sees at least two of K28.5 sets (the fabric is allowed to drop one). Figure 2 shows the timing characteristics of the data realignment.

Systems that do not require framed data can disable byte alignment by tying SYNCEN low.

When a synchronization character is detected the SYNC signal is asserted high and is aligned with the K28.5 character. The duration of the SYNC-signal pulse is equal to the duration of the data which is half an RCLK period.

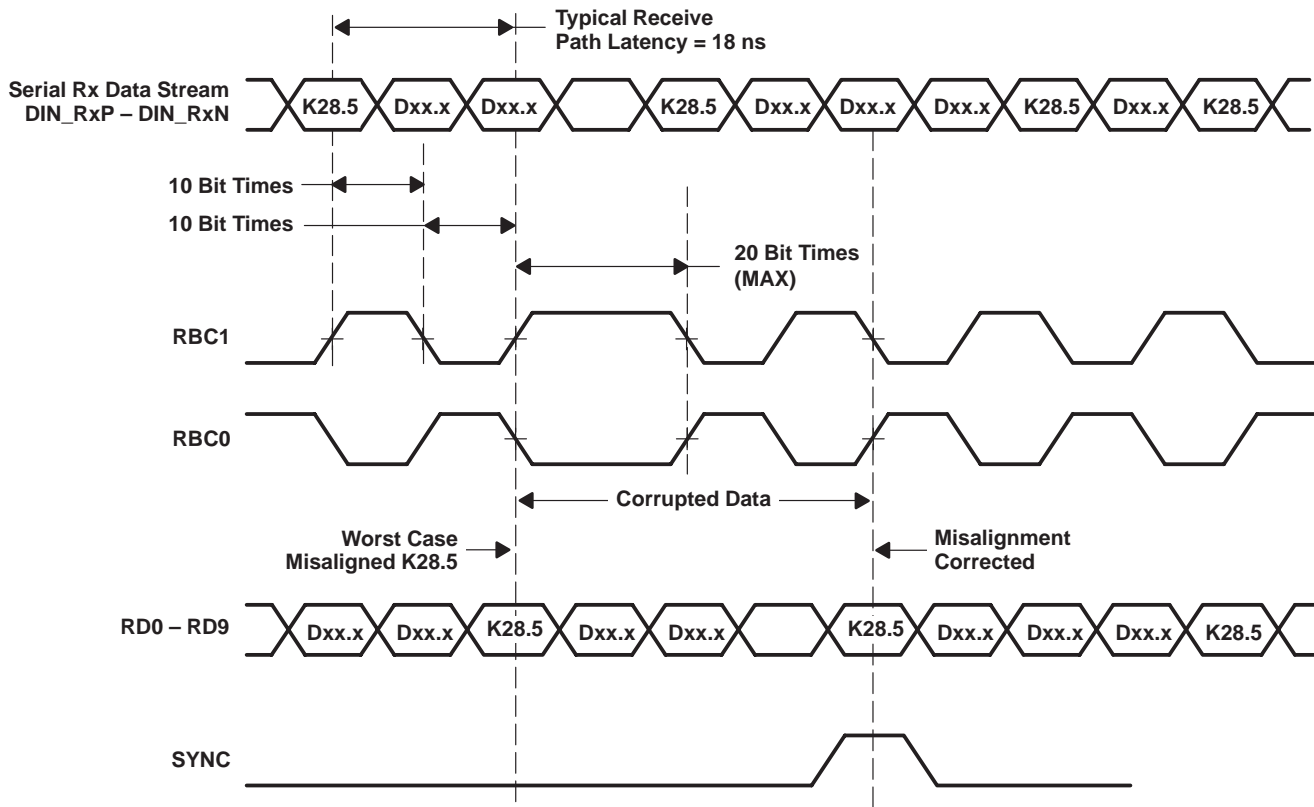


Figure 2. Word Realignment Timing Characteristics Waveforms

data reception latency

The serial-to-parallel data latency is the time from when the first bit arrives at the receiver until it is output in the aligned parallel word with RD0 received as first bit. The receive latency is typically 18 ns.

loop-back testing

The transceiver can provide a self-test function by enabling (LOOPEN to high level) the internal loop-back path. Enabling LOOPEN causes serially transmitted data to be routed internally to the receiver. The parallel data output can be compared to the parallel input data for functional verification. The external differential output is held in a static state during loop-back testing.

absolute maximum ratings†

| | | |
|--|-------|--------------------------|
| Supply voltage, V_{CC} (see Note 1) | | -0.5 to 4.0 V |
| Input voltage, V_I (TTL, PECL) | | -0.5 to 4.0 V |
| Output current I_O , (TTL) | | 50 mA |
| Output current I_O , (PECL) | | -50 mA |
| Voltage range at any terminal | | -0.5 to $V_{CC} + 0.5$ V |
| Electrostatic discharge, 5-V tolerant input terminals (see Note 2) | | Class 1, A:1 kV, B:150 V |
| Electrostatic discharge, all other terminals (see Note 2) | | Class 1, A:2 kV, B:200 V |
| Characterized free-air operating temperature range | | 0°C to 70°C |
| Storage temperature | | -65°C to 150°C |

† Stresses beyond those listed under “absolute maximum ratings” may cause permanent damage to the device. These are stress ratings only, and functional operation of the device at these or any other conditions beyond those indicated under “recommended operating conditions” is not implied. Exposure to absolute-maximum-rated conditions for extended periods may affect device reliability.

- NOTES: 1. All voltage values, except differential I/O bus voltages, are with respect to network ground.
2. This parameter is tested in accordance with MIL-PRF-38535.

recommended operating conditions

| PARAMETER | TEST CONDITIONS | MIN | NOM | MAX | UNIT |
|---------------------------------------|-------------------------------|------|-----|------|------|
| Supply voltage, V_{CC} | | 3.14 | 3.3 | 3.47 | V |
| Supply current, I_{CC} (static) | Static pattern† | | 180 | 260 | mA |
| Power dissipation, P_D (static) | Outputs Open, static pattern† | | 590 | 900 | mW |
| Supply current, I_{CC} (dynamic) | K28.5 | | 240 | 330 | mA |
| Power dissipation, P_D (dynamic) | Outputs Open, K28.5 | | 790 | 1150 | mW |
| Operating free-air temperature, T_A | | 0 | | 70 | °C |

† Power (static pattern) = 125 MHz to the receiver and 5 ones and 5 zeros to the transmitter.

reference clock (REFCLK) timing requirements over recommended operating conditions (unless otherwise noted)†

| PARAMETER | TEST CONDITIONS | MIN | NOM | MAX | UNIT |
|------------|--------------------------|-------------|-----|-------------|------|
| Frequency | | TYP - 0.01% | 125 | TYP + 0.01% | MHz |
| Accuracy | | -100 | | 100 | ppm |
| Duty cycle | | 40% | 50% | 60% | |
| Jitter | Random and deterministic | | | 40 | ps |

† This clock should be crystal referenced to meet the requirements of the this table. The maximum rate of frequency change specified is valid after 10 seconds from power on.



TNETE2201A

1.25-GIGABIT ETHERNET TRANSCEIVER

SLLS342 – MARCH 1999

electrical characteristics over recommended operating conditions (unless otherwise noted)

TTL Signals: TD0 .. TD9, REFCLK, LOOPEN, SYNCEN, SYNC, RD0 .. RD9, RBC0, RBC1, LCKREFN

| PARAMETER | | TEST CONDITIONS | MIN | TYP | MAX | UNIT |
|-----------------|---------------------------|--|------|------|-----|------|
| V _{OH} | High-level output voltage | V _{CC} = MIN, I _{OH} = -400 μA | 2.4 | 3 | | V |
| V _{OL} | Low-level output voltage | V _{CC} = MIN, I _{OL} = 1 mA | | 0.25 | 0.4 | V |
| V _{IH} | High-level input voltage | | 2 | | 5.5 | V |
| V _{IL} | Low-level input voltage | | | | 0.8 | V |
| I _{IH} | High-level input current | V _{CC} = MAX, V _I = 2.4 V | | | 40 | μA |
| | | REFCLK V _{CC} = MAX, V _I = 2.4 V | | | 900 | μA |
| I _{IL} | Low-level input current | V _{CC} = MAX, V _I = 0.4 V | -40 | | | μA |
| | | REFCLK V _{CC} = MAX, V _I = 0.4 V | -900 | | | μA |
| c _i | Input capacitance | | | | 4 | pF |



TRANSMITTER SECTION

differential electrical characteristics over recommended operating conditions (unless otherwise noted)

| PARAMETER | | TEST CONDITIONS | MIN | TYP | MAX | UNIT |
|-----------------|---|-------------------------------------|------|------|------|------|
| V _{OD} | Driver differential output voltage (peak-to-peak) | R _L = 75 Ω, See Figure 3 | 1100 | | 2200 | mV |
| | | R _L = 50 Ω, See Figure 3 | 1100 | | 2200 | |
| V _{OC} | Driver common-mode output voltage | R _L = 75 Ω | | 2100 | | mV |

differential switching characteristics over recommended operating conditions (unless otherwise noted).

| PARAMETER | | TEST CONDITIONS | MIN | TYP | MAX | UNIT |
|---|--|---|-----|-----|-----|------|
| Serial data deterministic jitter (peak-to-peak) | | Differential output jitter | | | 96 | ps |
| Serial data total jitter (peak-to-peak) | | Differential output jitter | | | 192 | ps |
| t _{r3} | Differential signal rise time (20% to 80%) | R _L = 75 Ω, C _L = 5 pF, See Figure 3 | | | 300 | ps |
| t _{f3} | Differential signal fall time (20% to 80%) | | | | 300 | ps |

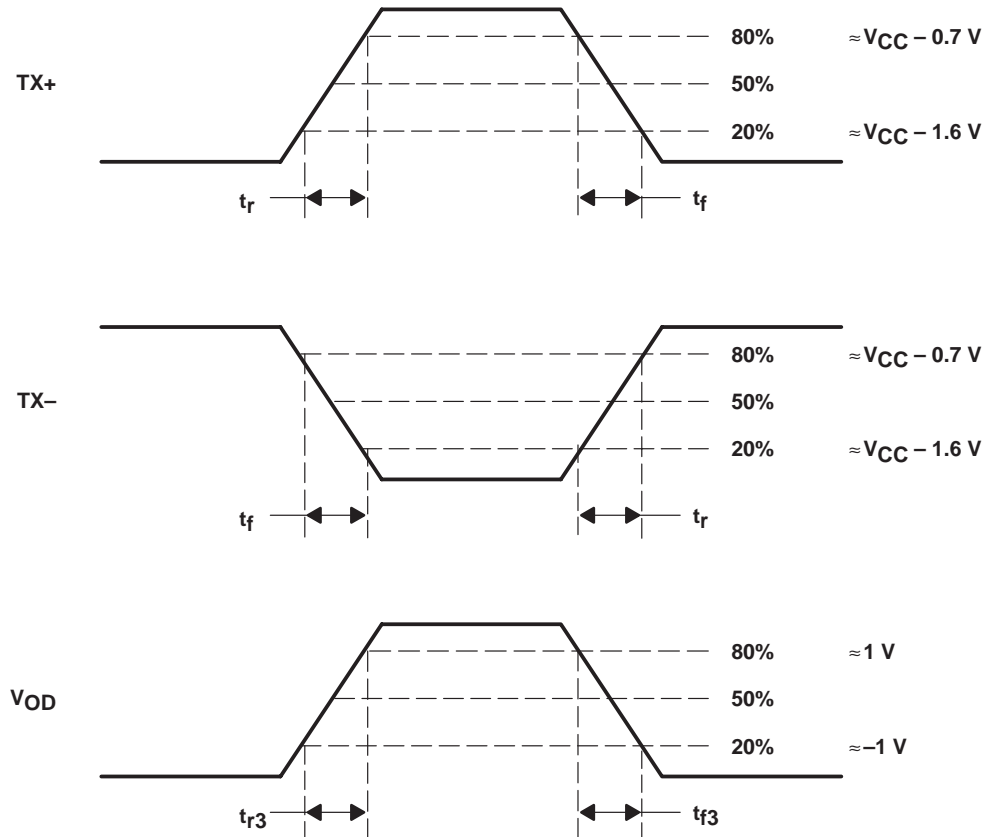


Figure 3. Differential and Common-Mode Output Voltage Definitions

TNETE2201A

1.25-GIGABIT ETHERNET TRANSCEIVER

SLLS342 – MARCH 1999

transmitter timing requirements over recommended operating conditions (unless otherwise noted)

| | TEST CONDITIONS | MIN | NOM | MAX | UNIT |
|--|-----------------|-----|-----|-----|------|
| t_{su1} Setup time, TD0 – TD9 valid to REFCLK \uparrow | See Figure 4 | 2 | | | ns |
| t_{h1} Hold time, REFCLK \uparrow to TD0 – TD9 invalid | See Figure 4 | 1 | | | ns |
| Parallel-to-serial data latency | | | 9 | | ns |

transmit interface timing

The transmit interface is defined in the 10 b spec as the 10-bit parallel data input to the physical layer for serial transmission. The timing values are specified from REFCLK midpoint to valid input signal levels or from valid input signal levels to REFCLK midpoint.

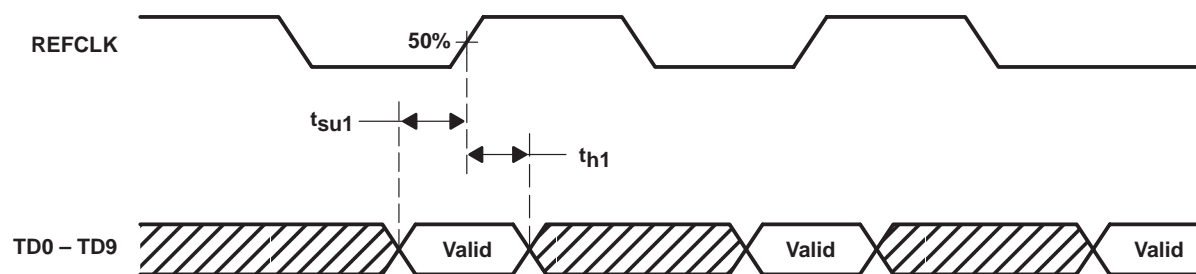


Figure 4. Transmit 10-Bit Interface Timing Waveforms

RECEIVER SECTION

differential electrical characteristics over recommended operating conditions (unless otherwise noted)

| PARAMETER | TEST CONDITIONS | MIN | TYP | MAX | UNIT |
|--|-----------------|-----|-----|------|------|
| $ V_{ID} $ Differential input voltage (peak-to-peak) | See Figure 5 | 400 | | 2600 | mV |

receiver and phase-locked loop performance characteristics over recommended operating conditions (unless otherwise noted)

| PARAMETER | TEST CONDITIONS | MIN | TYP | MAX | UNIT† |
|----------------------------|--|-----|-----|-------|---------|
| Jitter tolerance | See P802.3Z specification | | | 74.9% | UI |
| Data acquisition lock time | From power up at 2 nF capacitor value | | | 500 | μ s |
| | From power up at 0.1 μ F capacitor value | | | 10 | ms |
| Data relock time | From synchronization loss | | | 2500 | ns |

† UI is the unit interval of a single bit (800 ps).

receive clock timing requirements over recommended operating conditions (unless otherwise noted)

| PARAMETER | TEST CONDITIONS | MIN | TYP | MAX | UNIT |
|--|-----------------|-----|------|-----|------|
| f_{clk} Clock frequency, RBC0 | | | 62.5 | | MHz |
| f_{clk} Clock frequency, RBC1 (180 deg out of phase with RBC0) | | | 62.5 | | MHz |
| t_{r4} Data Rise time | See Figure 6 | 0.7 | | 4 | ns |
| t_{f4} Data Fall time | See Figure 6 | 0.7 | | 4 | ns |
| t_{r5} Rise time, single-ended output signal on RBC0 or RBC1 | See Figure 6 | 0.7 | | 2 | ns |
| t_{f5} Fall time, single-ended output signal on RBC0 or RBC1 | See Figure 6 | 0.7 | | 2 | ns |
| Duty cycle, RBC0 or RBC1 | | 40% | | 60% | |
| $t_{(skew)}$ Skew time, RBC1 \uparrow to RBC0 \uparrow | See Figure 7 | 7.5 | 8 | 8.5 | ns |
| t_{su2} Setup time, RD0 – RD9, SYNC valid to RBC0 \uparrow | See Figure 7 | 2.5 | | | ns |
| t_{su3} Setup time, RD0 – RD9, SYNC valid to RBC1 \uparrow | See Figure 7 | 2.5 | | | ns |
| t_{su4} Setup time, RBC1 \uparrow to RD0 – RD9, SYNC invalid | See Figure 7 | 1.5 | | | ns |
| t_{su5} Setup time, RBC1 \uparrow to RD0 – RD9, SYNC invalid | See Figure 7 | 1.5 | | | ns |
| Serial-to-parallel data latency | | | 18 | | ns |

† $t_{(drift)}$ is the minimum time for RBC0 or RBC1 to drift from 63.5 MHz to 64.5 MHz or from 60 MHz to 59 MHz from the RCLK lock value. This is applicable under all input signal conditions with PLL locked to the REFCLK of DATA signals.

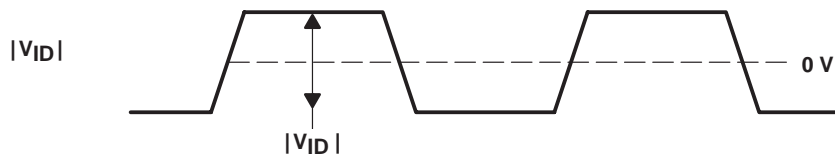


Figure 5. Differential Input Voltage (Peak-to-Peak) Timing Waveform

TNETE2201A 1.25-GIGABIT ETHERNET TRANSCEIVER

SLLS342 – MARCH 1999

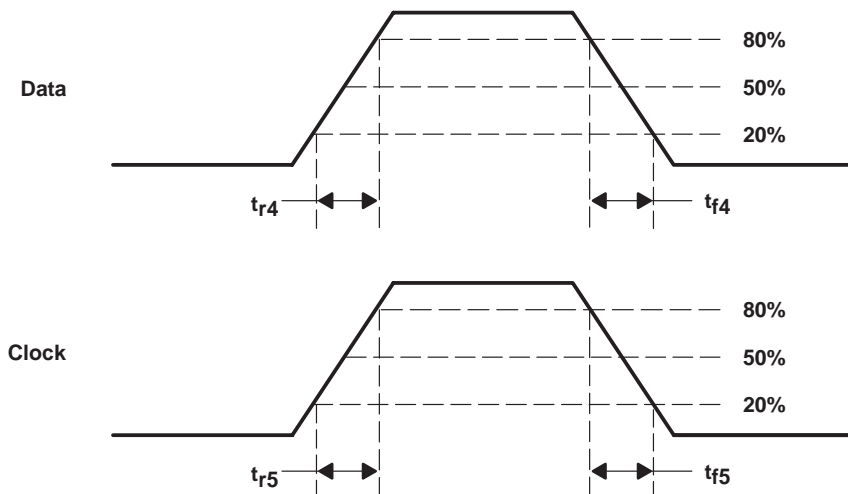


Figure 6. Receiver Data Measurement Levels

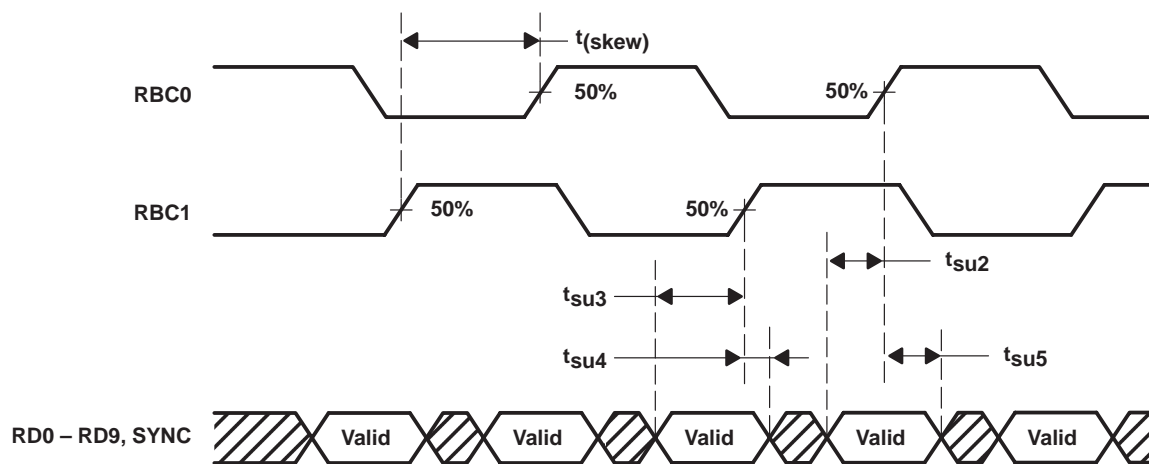
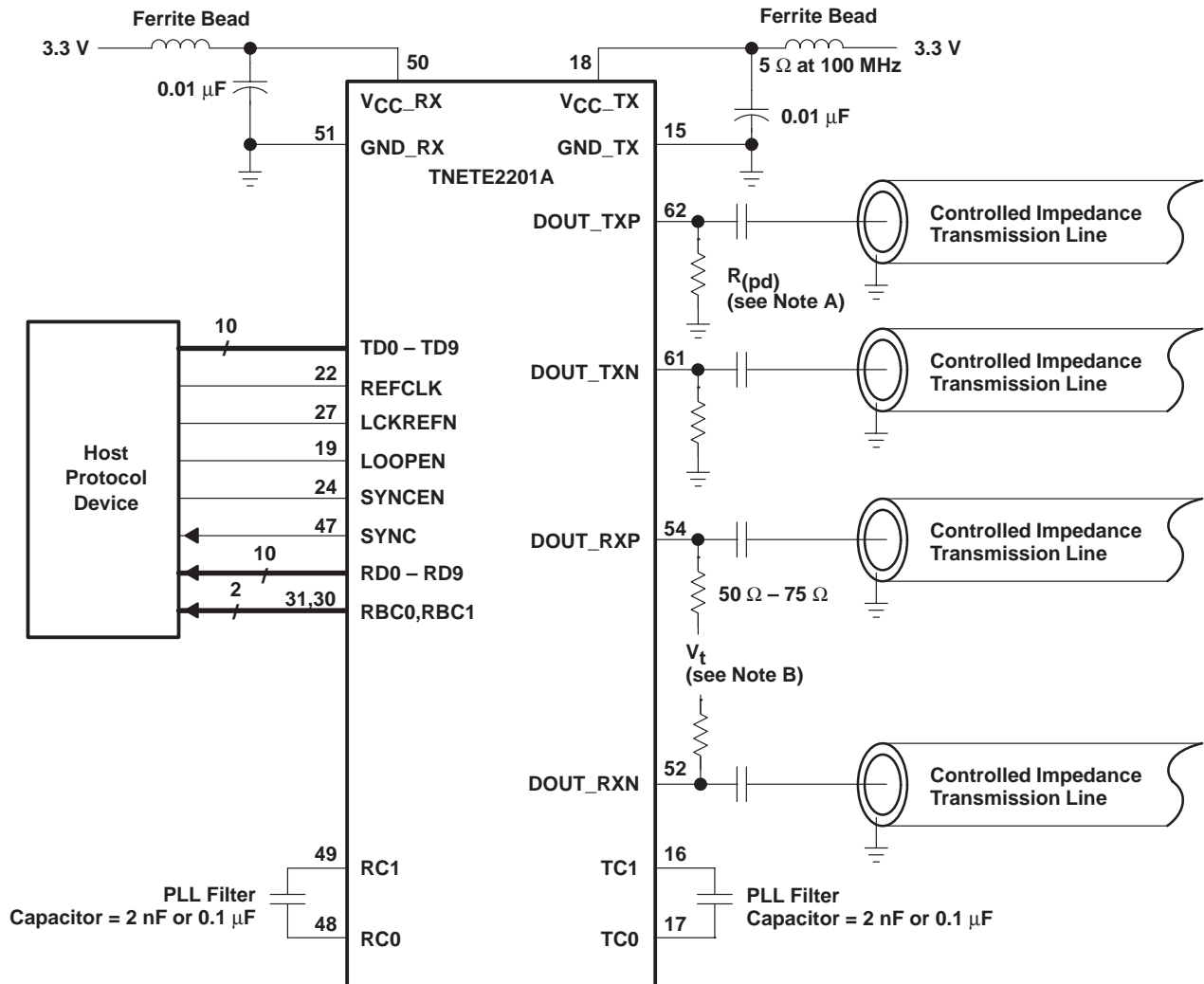


Figure 7. Receiver Interface Timing Waveforms

APPLICATION INFORMATION



- NOTES: A. $R_{(pd)}$ – This value is set to match the falling edge to rising edge transition times, typically 150 Ω . to 220 Ω .
 B. V_t (termination voltage): $V_t = V_{CC} - 1.3$ V, if ac coupled
 $V_t = V_{CC} - 2$ V, if directly coupled.

Figure 8. Typical Application Circuit

TNETE2201A

1.25-GIGABIT ETHERNET TRANSCEIVER

SLLS342 – MARCH 1999

MECHANICAL INFORMATION

The TNETE2201A incorporates the latest development in TI's package line. The new patent-pending design, designated the PWP, delivers thermal performance comparing to a heat-spreader design in a true low-profile package. The PWP for the TNETE2201A is designed to maximize heat transfer away from the die through the top of the chip. As seen in Figures 9 and 10 the bottom of the leadframe is deep downset towards the top of the chip, providing a thermal path away from the die and board. All this has been accomplished without exceeding the 1.15 mm height of the TQFP. This package in the 10mm × 10mm TQFP (PJD) provides a thermal resistance $R_{\theta JA}$ of 40°C/W and the package in the 14mm × 14mm TQFP (PHD) provides a $R_{\theta JA}$ of 40°C/W.

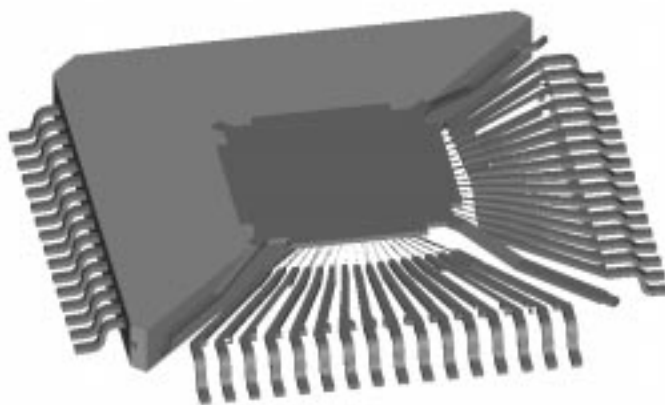


Figure 9. Heat-Spreader Design

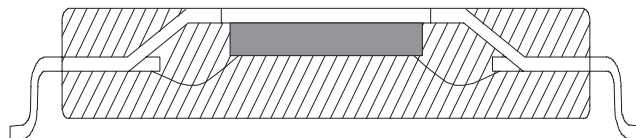
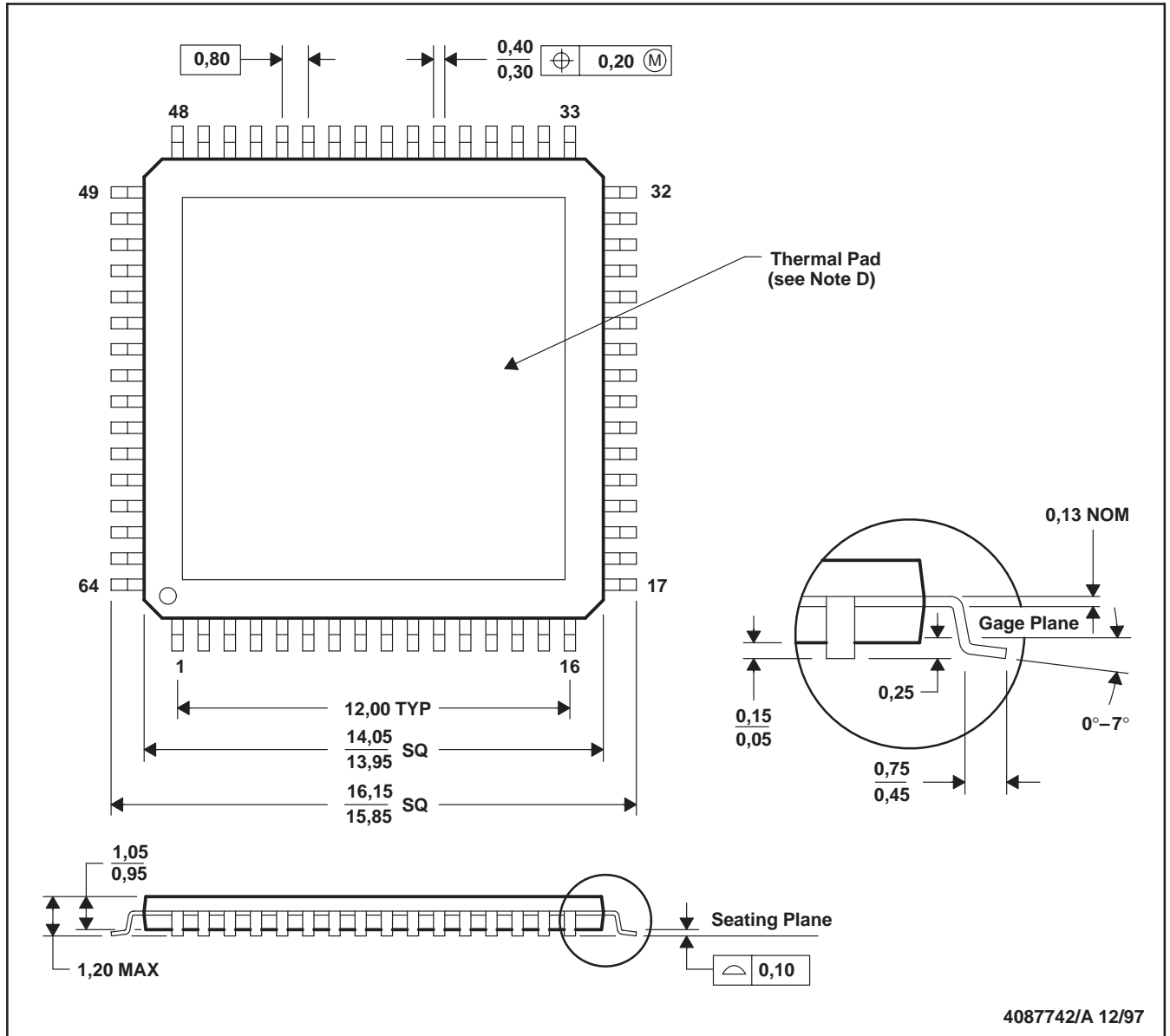


Figure 10. Leadframe Downset

MECHANICAL INFORMATION

PHD (S-PQFP-G64)

PowerPAD™ PLASTIC QUAD FLATPACK (DIE DOWN)



- NOTES:
- A. All linear dimensions are in millimeters.
 - B. This drawing is subject to change without notice.
 - C. Body dimensions include mold flash or protrusions.
 - D. The package thermal performance may be enhanced by attaching an external heat sink to the thermal pad. This pad is electrically and thermally connected to the backside of the die and possibly selected leads.
 - E. Falls within JEDEC MS-026

PowerPAD is a trademark of Texas Instruments Incorporated.

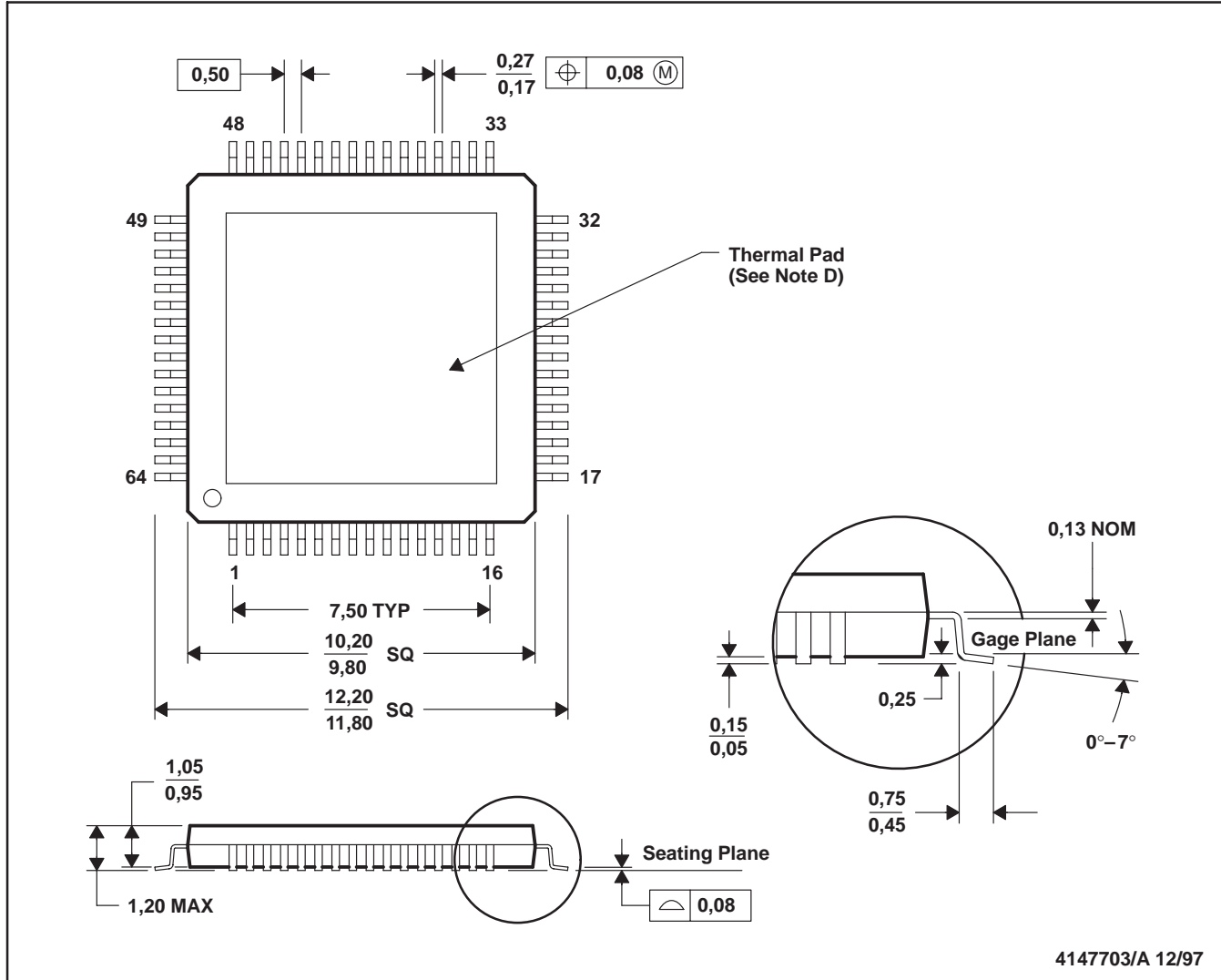
TNETE2201A 1.25-GIGABIT ETHERNET TRANSCEIVER

SLLS342 – MARCH 1999

MECHANICAL INFORMATION

PJD (S-PQFP-G64)

PowerPAD™ PLASTIC QUAD FLATPACK (DIE DOWN)



- NOTES:
- All linear dimensions are in millimeters.
 - This drawing is subject to change without notice.
 - Body dimensions include mold flash or protrusions.
 - The package thermal performance may be enhanced by attaching an external heat sink to the thermal pad. This pad is electrically and thermally connected to the backside of the die and possibly selected leads.
 - Falls within JEDEC MS-026

PowerPAD is a trademark of Texas Instruments Incorporated.



POST OFFICE BOX 655303 • DALLAS, TEXAS 75265

PACKAGING INFORMATION

| Orderable Device | Status ⁽¹⁾ | Package Type | Package Drawing | Pins | Package Qty | Eco Plan ⁽²⁾ | Lead/Ball Finish | MSL Peak Temp ⁽³⁾ |
|------------------|-----------------------|--------------|-----------------|------|-------------|-------------------------|------------------|------------------------------|
| TNETE2201APHD | OBSOLETE | HTQFP | PHD | 64 | | TBD | Call TI | Call TI |
| TNETE2201APJD | OBSOLETE | HTQFP | PJD | 64 | | TBD | Call TI | Call TI |

⁽¹⁾ The marketing status values are defined as follows:

ACTIVE: Product device recommended for new designs.

LIFEBUY: TI has announced that the device will be discontinued, and a lifetime-buy period is in effect.

NRND: Not recommended for new designs. Device is in production to support existing customers, but TI does not recommend using this part in a new design.

PREVIEW: Device has been announced but is not in production. Samples may or may not be available.

OBSOLETE: TI has discontinued the production of the device.

⁽²⁾ Eco Plan - The planned eco-friendly classification: Pb-Free (RoHS) or Green (RoHS & no Sb/Br) - please check <http://www.ti.com/productcontent> for the latest availability information and additional product content details.

TBD: The Pb-Free/Green conversion plan has not been defined.

Pb-Free (RoHS): TI's terms "Lead-Free" or "Pb-Free" mean semiconductor products that are compatible with the current RoHS requirements for all 6 substances, including the requirement that lead not exceed 0.1% by weight in homogeneous materials. Where designed to be soldered at high temperatures, TI Pb-Free products are suitable for use in specified lead-free processes.

Green (RoHS & no Sb/Br): TI defines "Green" to mean Pb-Free (RoHS compatible), and free of Bromine (Br) and Antimony (Sb) based flame retardants (Br or Sb do not exceed 0.1% by weight in homogeneous material)

⁽³⁾ MSL, Peak Temp. -- The Moisture Sensitivity Level rating according to the JEDEC industry standard classifications, and peak solder temperature.

Important Information and Disclaimer:The information provided on this page represents TI's knowledge and belief as of the date that it is provided. TI bases its knowledge and belief on information provided by third parties, and makes no representation or warranty as to the accuracy of such information. Efforts are underway to better integrate information from third parties. TI has taken and continues to take reasonable steps to provide representative and accurate information but may not have conducted destructive testing or chemical analysis on incoming materials and chemicals. TI and TI suppliers consider certain information to be proprietary, and thus CAS numbers and other limited information may not be available for release.

In no event shall TI's liability arising out of such information exceed the total purchase price of the TI part(s) at issue in this document sold by TI to Customer on an annual basis.

IMPORTANT NOTICE

Texas Instruments Incorporated and its subsidiaries (TI) reserve the right to make corrections, modifications, enhancements, improvements, and other changes to its products and services at any time and to discontinue any product or service without notice. Customers should obtain the latest relevant information before placing orders and should verify that such information is current and complete. All products are sold subject to TI's terms and conditions of sale supplied at the time of order acknowledgment.

TI warrants performance of its hardware products to the specifications applicable at the time of sale in accordance with TI's standard warranty. Testing and other quality control techniques are used to the extent TI deems necessary to support this warranty. Except where mandated by government requirements, testing of all parameters of each product is not necessarily performed.

TI assumes no liability for applications assistance or customer product design. Customers are responsible for their products and applications using TI components. To minimize the risks associated with customer products and applications, customers should provide adequate design and operating safeguards.

TI does not warrant or represent that any license, either express or implied, is granted under any TI patent right, copyright, mask work right, or other TI intellectual property right relating to any combination, machine, or process in which TI products or services are used. Information published by TI regarding third-party products or services does not constitute a license from TI to use such products or services or a warranty or endorsement thereof. Use of such information may require a license from a third party under the patents or other intellectual property of the third party, or a license from TI under the patents or other intellectual property of TI.

Reproduction of information in TI data books or data sheets is permissible only if reproduction is without alteration and is accompanied by all associated warranties, conditions, limitations, and notices. Reproduction of this information with alteration is an unfair and deceptive business practice. TI is not responsible or liable for such altered documentation.

Resale of TI products or services with statements different from or beyond the parameters stated by TI for that product or service voids all express and any implied warranties for the associated TI product or service and is an unfair and deceptive business practice. TI is not responsible or liable for any such statements.

Following are URLs where you can obtain information on other Texas Instruments products and application solutions:

| Products | | Applications | |
|------------------|--|---------------------|--|
| Amplifiers | amplifier.ti.com | Audio | www.ti.com/audio |
| Data Converters | dataconverter.ti.com | Automotive | www.ti.com/automotive |
| DSP | dsp.ti.com | Broadband | www.ti.com/broadband |
| Interface | interface.ti.com | Digital Control | www.ti.com/digitalcontrol |
| Logic | logic.ti.com | Military | www.ti.com/military |
| Power Mgmt | power.ti.com | Optical Networking | www.ti.com/opticalnetwork |
| Microcontrollers | microcontroller.ti.com | Security | www.ti.com/security |
| | | Telephony | www.ti.com/telephony |
| | | Video & Imaging | www.ti.com/video |
| | | Wireless | www.ti.com/wireless |

Mailing Address: Texas Instruments
Post Office Box 655303 Dallas, Texas 75265