

10-V TO 24-V INPUT, 5-V OUTPUT, 2.1-A STEP-DOWN VOLTAGE CONVERTER

 Check for Samples: [TPS5480](#), [TPS5481](#)

FEATURES

- 5-V Synchronous/Asynchronous Hysteretic Switching Regulator
- Low Output Ripple and Allows Ceramic Output Capacitor
- Fault Conditions Monitored:
 - Over- and Under-Voltage
 - Over-Temperature
 - Over-Current
- Wide V_{IN} Input Range: 10 V to 24 V
- Pre-Biased and Adjustable Soft Start
- Highly Efficient Integrated FETs: < 120 mΩ (High Side only)
- Capacitor Based Boost Circuit

- Over Current Protection
- High Accuracy Internal Bandgap, Oscillator, Reference Current and Margin Voltage

APPLICATIONS

- Wide Range of Applications for Low-Voltage, High-Current Systems
 - Up to 2.1-A High-Efficiency Step-Down Regulator
 - Battery Charger
 - High-Efficiency Preregulator (5 V)

DESCRIPTION

The TPS5480 and TPS5481 are positive, hysteretic, 5-V, 2.1-A, 200-kHz (TPS5480) or 400-kHz (TPS5481) switching regulators with wide input voltage range of 10 V to 24 V. They require either an external, low forward-voltage Schottky diode or a power MOSFET. Internal digital control logic is used to sequence the output of a fast comparator before applying it to the input of the MOSFET gate driver. A pin selectable soft start circuit is present to reduce current draw and overshoot during power up. The EN pin enables the regulator output when forced high (tied to V3P3 pin); an internal pull-down resistor disables the regulator when the EN pin is not connected. The internal 3.3-V linear regulator provides power for the enable pin.

ORDERING INFORMATION⁽¹⁾

PACKAGE ⁽²⁾	ORDERABLE PART NUMBER	TOP-SIDE MARKING
(QFN) - RGT	TPS5480	TBD
	TPS5481	TBD

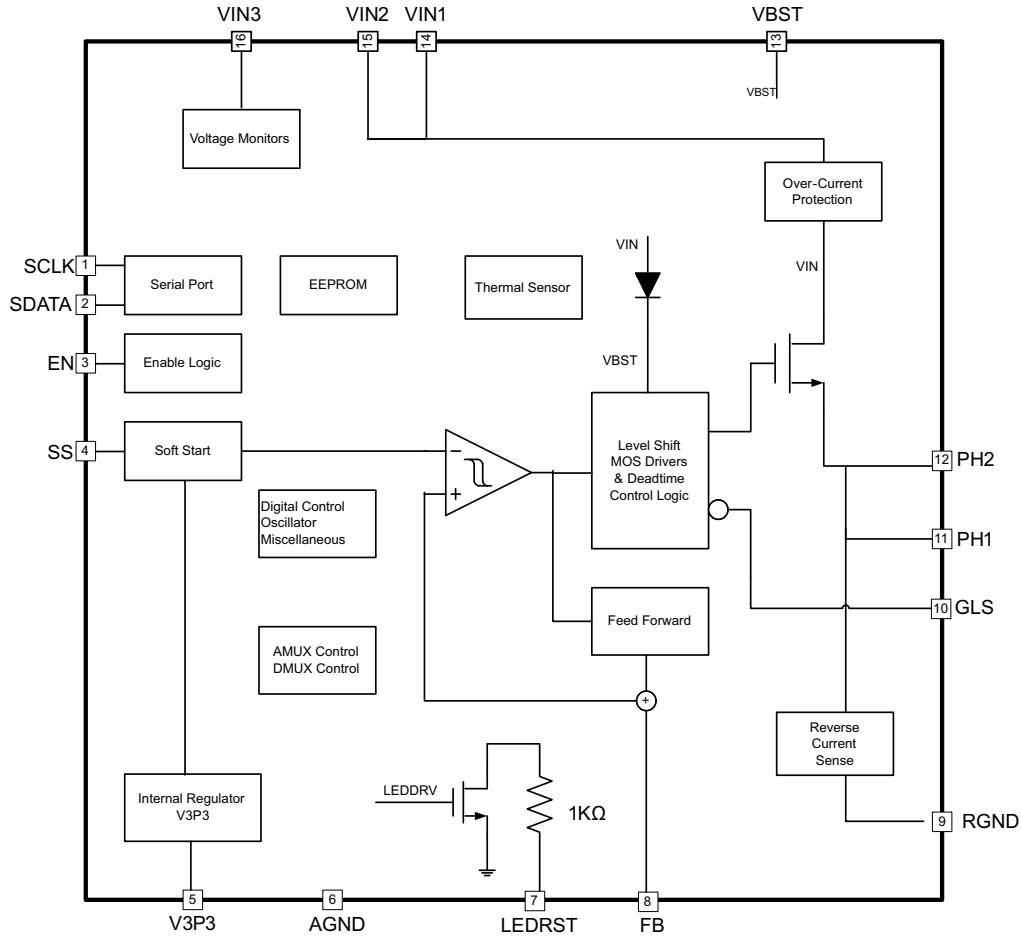
(1) For the most current packaging and ordering information, see the Package Option Addendum at the end of this document, or see the TI web site at www.ti.com.

(2) Package drawings, thermal data, and symbolization are available at www.ti.com/packaging.

PRODUCT PREVIEW


Please be aware that an important notice concerning availability, standard warranty, and use in critical applications of Texas Instruments semiconductor products and disclaimers thereto appears at the end of this data sheet.

DEVICE INFORMATION
Functional Block Diagram



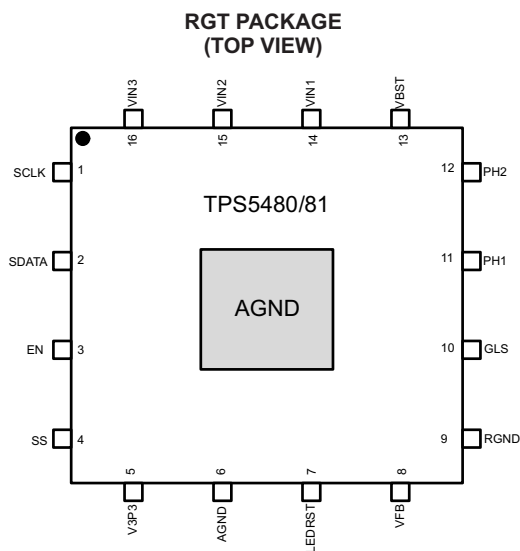
PRODUCT PREVIEW

Table 1. TERMINAL FUNCTIONS

NAME	PIN	DESCRIPTION
SCLK	1	Serial port clock
SDATA	2	Serial port data
EN	3	Regulator enable
SS	4	Programmable soft-start
V3P3	5	Linear regulator output used for EN pin
AGND	6	Analog ground
LEDRST	7	Current sink for LED
VFB	8	Converter feedback input. Connect with output of converter.
RGND	9	Ground return for low-side driver and reverse-current sense
GLS	10	Gate voltage for external low-side FET
PH1, PH2	11, 12	Switch node connection between high-side NFET and low-side NFET
VBST	13	Supply input for high-side NFET gate driver (boost terminal)
VIN1, VIN2	14, 15	Power input connected to high-side NFET drain
VIN3	16	Input to over- and under-voltage monitor

Table 2. RECOMMENDED EXTERNAL COMPONENTS

PIN	TO	FUNCTION	VALUE	UNIT	
VIN1, VIN2, VIN3	AGND	Noise decoupling capacitor	20	μF	
PH1, PH2	VBST	Boost Capacitor	100	nF	
PH1, PH2	VOUT	Output filter to Voltage supply	Inductor (ESR < 60mΩ)	> 22	μH
			Capacitor (ESR < 10mΩ)	20	1F
V3P3	AGND	Internal regulator capacitor	100	nF	
SS	AGND	Optional for faster soft-start	66	kΩ	
	V3P3	Optional for slower soft-start	66		
PH1, PH2	RGND	Schottky diode or	< 0.55	V	
PH1, PH2	GLS, RGND	External low-side NFET with GLS pin to gate	< 50	mΩ	



PRODUCT PREVIEW

ABSOLUTE MAXIMUM RATINGS⁽¹⁾⁽²⁾

		CONDITIONS	VALUE	UNIT
V _{IN1,2,3}	Input voltage ⁽¹⁾	T _A = 25°C	-1 to 30	V
V _{PH1,2}	Phase voltage	T _A = 25°C	-1 to 30	V
V _{BST}	Boost voltage (wrt V _{PH1,2})	T _A = 25°C	-1 to V _{PH} + 7	V
V _{FB}	Regulator feedback voltage	T _A = 25°C	-0.3 to 7	V
V _{LEDRST}	LED current sink	T _A = 25°C	-0.3 to 7	V
	Voltage on other pins		-0.3 to 3.6	V
T _{FA}	Operating free-air temperature		-10 to 60	°C
T _J	Operating junction temperature		160	°C
θ _{JA}	Junction-to-ambient thermal resistance		47.4	°C/W
T _{stg}	Storage temperature		-55 to 150	°C
P _{DISS}	Total power dissipation with device appropriately mounted ⁽²⁾	T _A = 25°C	2.7	W
ESD _{HBM}	Human body model		2000	V
ESD _{CDM}	Charged device model		500	V

- (1) Stresses beyond those under “absolute maximum ratings” may cause permanent damage to the device. These are stress ratings only and functional operation at these or any other conditions beyond those indicated under “recommended operating conditions” is not implied. Exposure to absolute-maximum-rated conditions for extended periods may affect device reliability. All voltages are with respect to ground.
- (2) This number is listed for reference only based on typical junction-to-ambient thermal resistance (θ_{JA}). The maximum power should be determined by final thermal characteristics for the application in order to maintain a maximum die temperature that is less than 150°C.

RECOMMENDED OPERATING CONDITIONST_A = 25°C (unless otherwise noted)

		MIN	NOM	MAX	UNIT
V _{IN1,2,3}	Input voltage	10		24	V
V _{PH1,2}	Phase voltage	10		24	V
V _{BST}	Boost voltage	PH		PH+7	V
V _{FB}	Regulator feedback voltage		5		V
V _{LEDRST}	LED current sink		5		V
	Voltage on other pins		3.3		V

ELECTRICAL CHARACTERISTICS
 $T_A = 25^\circ\text{C}$ (unless otherwise noted)

PARAMETER		TEST CONDITIONS	MIN	TYP	MAX	UNIT	
BUCK REGULATOR OUTPUT							
V_{FB}	V_{OUT} output voltage	$T_A = 25^\circ\text{C}$, $10\text{ V} < V_{IN} < 24\text{ V}$, $0 < I_{LOAD} < 2.1\text{ A}$	4.85	5.15	5.45	V	
V_{ripple}	V_{OUT} ripple voltage	$T_A = 25^\circ\text{C}$, $10\text{ V} < V_{IN} < 24\text{ V}$, $0 < I_{LOAD} < 2.1\text{ A}$, Continuous mode at 200 kHz			100	mV	
V_{HYS}	Comparator hysteresis		20	25	30	mV	
V_{OS}	V_{OUT} output overshoot		-20%	V_{FB}	20%	V	
SUPPLY QUIESCENT CURRENT							
I_Q	Quiescent current (V_{IN})	EN = 1, no load			10	mA	
SOFT START							
V_{OUT}	Ramp time	SS = no connect	1.5	2.75	4	ms	
		SS = Pullup to V3P3 (66 k Ω)	2.25	4	5.75		
		SS = Pulldown to AGND (66 k Ω)	0.75	1.5	2.25		
MOSFET							
R_{dsONHS}	High side switch resistance	$T_A = 125^\circ\text{C}$			0.12	Ω	
OVER-CURRENT SHUTDOWN PROTECTION							
I_{OCS}	Over-current limit (average load current)	$T_A = 25^\circ\text{C}$, L = 22 μH at 200 kHz, $10\text{ V} < V_{IN} < 24\text{ V}$	2.3		2.8	A	
THERMAL SHUTDOWN PROTECTION							
T_{EOTW}	Early over temperature warn		170	180	190	$^\circ\text{C}$	
T_{OTS}	Over temperature shutdown		180	190	200	$^\circ\text{C}$	
VOLTAGE MONITORS							
V_{OVR}	Over-voltage rising trip point		28	28.6	29.2	V	
V_{OVF}	Over-voltage falling trip point		27.3	27.9	28.5		
V_{UVR}	Under-voltage rising trip point		8.2	8.5	8.8		
V_{UVF}	Under-voltage falling trip point		7.7	8	8.3		
FEED FORWARD FREQUENCY							
f_{SW}	Switching frequency	TPS5480	120	200	280	kHz	
		TPS5481	250	400	550	kHz	
LED DRIVER							
I_{LED}	LED sink current				7	mA	
V_{LED}	LED voltage				7	V	
REGULATOR EFFICIENCY							
Efficiency (Reference only)	$f_{SW} = 200\text{ kHz}$, $V_{IN} = 10\text{ V} - 24\text{ V}^{(1)}$	Inductor = 22 μH , 60 m Ω ESR	75				%
		Load capacitor = 20 μF , 10 m Ω ESR					
		V_{IN} capacitor = 20 μF , 10 m Ω ESR					
		VBST capacitor = 100 nF, 10 m Ω ESR					
		V3P3 capacitor = 100 nF, 10 m Ω ESR					
		Load current = 2.1 A					
		V_F , Schottky diode < 0.55 V					
$T_A = 25^\circ\text{C}$							
LOGIC ENABLE PIN							
V_{ENH}	EN high-level input voltage	$T_A = 25^\circ\text{C}$	2			V	
V_{ENL}	EN low-level input voltage	$T_A = 25^\circ\text{C}$			0.8		
R_{in}	Input pulldown resistance		-20%	160	20%	k Ω	

(1) Example only, measured with reference to device input and output pins.

ELECTRICAL CHARACTERISTICS (continued)

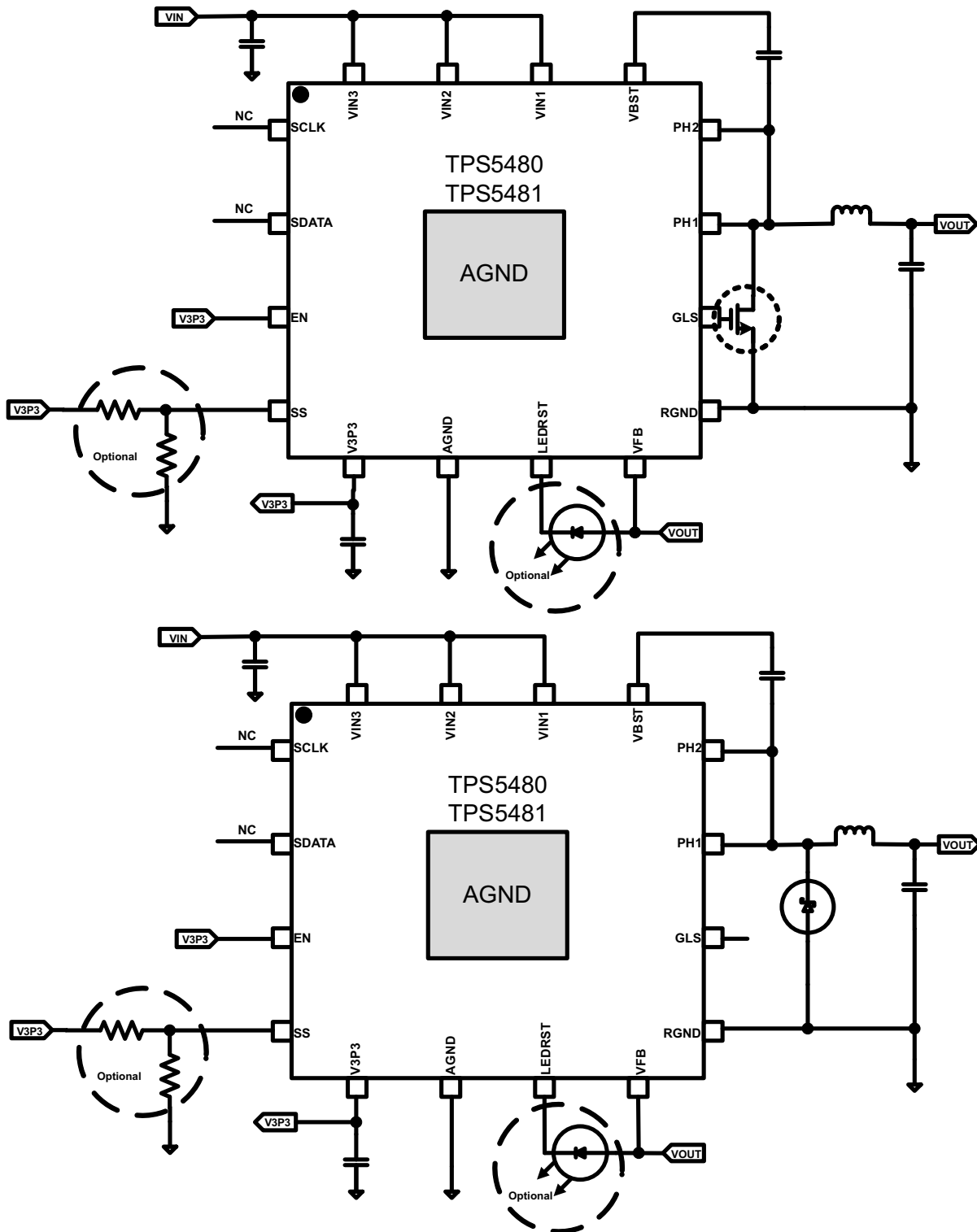
T_A = 25°C (unless otherwise noted)

PARAMETER		TEST CONDITIONS	MIN	TYP	MAX	UNIT
REGULATOR FOLDBACK CURRENT						
I _{Foldback}	Foldback current ⁽²⁾	10 V < V _{IN} < 24 V	0		6	mA
REGULATOR LOAD CURRENT						
I _{Load}	Load current	T _A = 25°C, L = 22 µH at 200 kHz	0		2.1	A
I _{Load}	Load current	T _A = 25°C, L = 22 µH at 400 kHz			2.1	A

(2) Ensured by application board functional test.

PRODUCT PREVIEW

SAMPLE APPLICATION SCHEMATIC



PRODUCT PREVIEW

PACKAGING INFORMATION

Orderable Device	Status ⁽¹⁾	Package Type	Package Drawing	Pins	Package Qty	Eco Plan ⁽²⁾	Lead/ Ball Finish	MSL Peak Temp ⁽³⁾	Samples (Requires Login)
TPS5480RGTR	PREVIEW	QFN	RGT	16		TBD	Call TI	Call TI	
TPS5480RGTT	PREVIEW	QFN	RGT	16		TBD	Call TI	Call TI	
TPS5481RGTR	PREVIEW	QFN	RGT	16		TBD	Call TI	Call TI	
TPS5481RGTT	PREVIEW	QFN	RGT	16		TBD	Call TI	Call TI	

⁽¹⁾ The marketing status values are defined as follows:

ACTIVE: Product device recommended for new designs.

LIFEBUY: TI has announced that the device will be discontinued, and a lifetime-buy period is in effect.

NRND: Not recommended for new designs. Device is in production to support existing customers, but TI does not recommend using this part in a new design.

PREVIEW: Device has been announced but is not in production. Samples may or may not be available.

OBsolete: TI has discontinued the production of the device.

⁽²⁾ Eco Plan - The planned eco-friendly classification: Pb-Free (RoHS), Pb-Free (RoHS Exempt), or Green (RoHS & no Sb/Br) - please check <http://www.ti.com/productcontent> for the latest availability information and additional product content details.

TBD: The Pb-Free/Green conversion plan has not been defined.

Pb-Free (RoHS): TI's terms "Lead-Free" or "Pb-Free" mean semiconductor products that are compatible with the current RoHS requirements for all 6 substances, including the requirement that lead not exceed 0.1% by weight in homogeneous materials. Where designed to be soldered at high temperatures, TI Pb-Free products are suitable for use in specified lead-free processes.

Pb-Free (RoHS Exempt): This component has a RoHS exemption for either 1) lead-based flip-chip solder bumps used between the die and package, or 2) lead-based die adhesive used between the die and leadframe. The component is otherwise considered Pb-Free (RoHS compatible) as defined above.

Green (RoHS & no Sb/Br): TI defines "Green" to mean Pb-Free (RoHS compatible), and free of Bromine (Br) and Antimony (Sb) based flame retardants (Br or Sb do not exceed 0.1% by weight in homogeneous material)

⁽³⁾ MSL, Peak Temp. -- The Moisture Sensitivity Level rating according to the JEDEC industry standard classifications, and peak solder temperature.

Important Information and Disclaimer: The information provided on this page represents TI's knowledge and belief as of the date that it is provided. TI bases its knowledge and belief on information provided by third parties, and makes no representation or warranty as to the accuracy of such information. Efforts are underway to better integrate information from third parties. TI has taken and continues to take reasonable steps to provide representative and accurate information but may not have conducted destructive testing or chemical analysis on incoming materials and chemicals. TI and TI suppliers consider certain information to be proprietary, and thus CAS numbers and other limited information may not be available for release.

In no event shall TI's liability arising out of such information exceed the total purchase price of the TI part(s) at issue in this document sold by TI to Customer on an annual basis.

IMPORTANT NOTICE

Texas Instruments Incorporated and its subsidiaries (TI) reserve the right to make corrections, enhancements, improvements and other changes to its semiconductor products and services per JESD46, latest issue, and to discontinue any product or service per JESD48, latest issue. Buyers should obtain the latest relevant information before placing orders and should verify that such information is current and complete. All semiconductor products (also referred to herein as "components") are sold subject to TI's terms and conditions of sale supplied at the time of order acknowledgment.

TI warrants performance of its components to the specifications applicable at the time of sale, in accordance with the warranty in TI's terms and conditions of sale of semiconductor products. Testing and other quality control techniques are used to the extent TI deems necessary to support this warranty. Except where mandated by applicable law, testing of all parameters of each component is not necessarily performed.

TI assumes no liability for applications assistance or the design of Buyers' products. Buyers are responsible for their products and applications using TI components. To minimize the risks associated with Buyers' products and applications, Buyers should provide adequate design and operating safeguards.

TI does not warrant or represent that any license, either express or implied, is granted under any patent right, copyright, mask work right, or other intellectual property right relating to any combination, machine, or process in which TI components or services are used. Information published by TI regarding third-party products or services does not constitute a license to use such products or services or a warranty or endorsement thereof. Use of such information may require a license from a third party under the patents or other intellectual property of the third party, or a license from TI under the patents or other intellectual property of TI.

Reproduction of significant portions of TI information in TI data books or data sheets is permissible only if reproduction is without alteration and is accompanied by all associated warranties, conditions, limitations, and notices. TI is not responsible or liable for such altered documentation. Information of third parties may be subject to additional restrictions.

Resale of TI components or services with statements different from or beyond the parameters stated by TI for that component or service voids all express and any implied warranties for the associated TI component or service and is an unfair and deceptive business practice. TI is not responsible or liable for any such statements.

Buyer acknowledges and agrees that it is solely responsible for compliance with all legal, regulatory and safety-related requirements concerning its products, and any use of TI components in its applications, notwithstanding any applications-related information or support that may be provided by TI. Buyer represents and agrees that it has all the necessary expertise to create and implement safeguards which anticipate dangerous consequences of failures, monitor failures and their consequences, lessen the likelihood of failures that might cause harm and take appropriate remedial actions. Buyer will fully indemnify TI and its representatives against any damages arising out of the use of any TI components in safety-critical applications.

In some cases, TI components may be promoted specifically to facilitate safety-related applications. With such components, TI's goal is to help enable customers to design and create their own end-product solutions that meet applicable functional safety standards and requirements. Nonetheless, such components are subject to these terms.

No TI components are authorized for use in FDA Class III (or similar life-critical medical equipment) unless authorized officers of the parties have executed a special agreement specifically governing such use.

Only those TI components which TI has specifically designated as military grade or "enhanced plastic" are designed and intended for use in military/aerospace applications or environments. Buyer acknowledges and agrees that any military or aerospace use of TI components which have **not** been so designated is solely at the Buyer's risk, and that Buyer is solely responsible for compliance with all legal and regulatory requirements in connection with such use.

TI has specifically designated certain components which meet ISO/TS16949 requirements, mainly for automotive use. Components which have not been so designated are neither designed nor intended for automotive use; and TI will not be responsible for any failure of such components to meet such requirements.

Products

Audio	www.ti.com/audio
Amplifiers	amplifier.ti.com
Data Converters	dataconverter.ti.com
DLP® Products	www.dlp.com
DSP	dsp.ti.com
Clocks and Timers	www.ti.com/clocks
Interface	interface.ti.com
Logic	logic.ti.com
Power Mgmt	power.ti.com
Microcontrollers	microcontroller.ti.com
RFID	www.ti-rfid.com
OMAP Applications Processors	www.ti.com/omap
Wireless Connectivity	www.ti.com/wirelessconnectivity

Applications

Automotive and Transportation	www.ti.com/automotive
Communications and Telecom	www.ti.com/communications
Computers and Peripherals	www.ti.com/computers
Consumer Electronics	www.ti.com/consumer-apps
Energy and Lighting	www.ti.com/energy
Industrial	www.ti.com/industrial
Medical	www.ti.com/medical
Security	www.ti.com/security
Space, Avionics and Defense	www.ti.com/space-avionics-defense
Video and Imaging	www.ti.com/video

TI E2E Community

e2e.ti.com