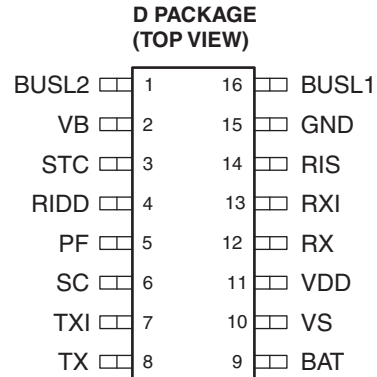


## METER-BUS TRANSCEIVER

 Check for Samples: [TSS721A](#)

### FEATURES

- **Meter-Bus Transceiver (for Slave) Meets Standard EN1434-3**
- **Receiver Logic With Dynamic Level Recognition**
- **Adjustable Constant-Current Sink via Resistor**
- **Polarity Independent**
- **Power-Fail Function**
- **Module Supply Voltage Switch**
- **3.3-V Constant Voltage Source**
- **Remote Powering**
- **Up to 9600 Baud in Half Duplex for UART Protocol**
- **Slave Power Support**
  - Supply From Meter-Bus via Output VDD
  - Supply From Meter-Bus via Output VDD or From Backup Battery
  - Supply From Battery – Meter-Bus Active for Data Transmission Only



### DESCRIPTION

TSS721A is a single chip transceiver developed for Meter-Bus standard (EN1434-3) applications.

The TSS721A interface circuit adjusts the different potentials between a slave system and the Meter-Bus master. The connection to the bus is polarity independent and supports full galvanic slave isolation with optocouplers.

The circuit is supplied by the master via the bus. Therefore, this circuit offers no additional load for the slave battery. A power-fail function is integrated.

The receiver has dynamic level recognition, and the transmitter has a programmable current sink.

A 3.3-V voltage regulator, with power reserve for a delayed switch off at bus fault, is integrated.

**Table 1. ORDERING INFORMATION<sup>(1)(2)</sup>**

T <sub>A</sub>	PACKAGE		ORDERABLE PART NUMBER
0°C to 70°C	SOIC – D	Reel of 2500	TSS721ADR

(1) For the most current package and ordering information, see the Package Option Addendum at the end of this document, or see the TI web site at [www.ti.com](http://www.ti.com).

(2) Package drawings, thermal data, and symbolization are available at [www.ti.com/packaging](http://www.ti.com/packaging).



Please be aware that an important notice concerning availability, standard warranty, and use in critical applications of Texas Instruments semiconductor products and disclaimers thereto appears at the end of this data sheet.

### FUNCTIONAL DESCRIPTION

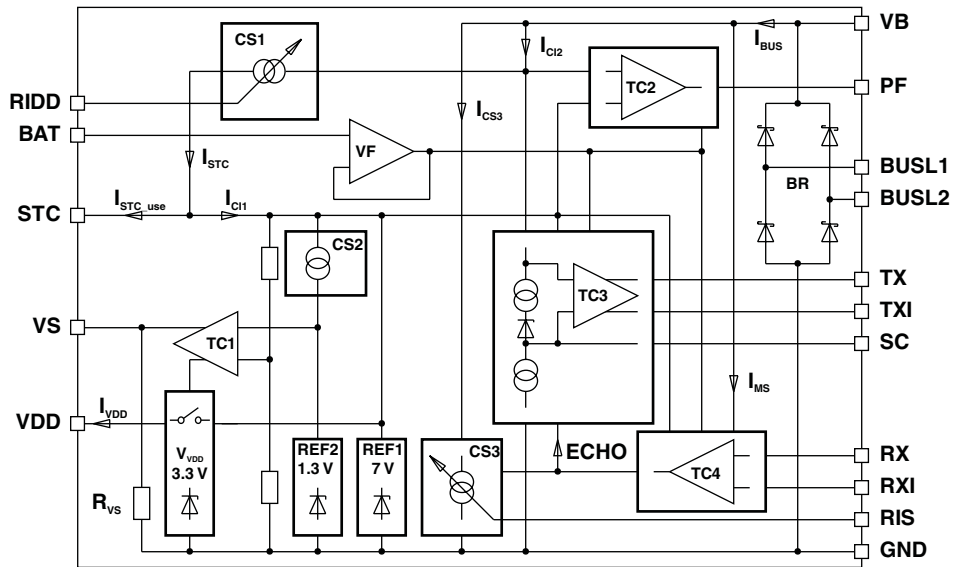


Figure 1. Functional Schematic

Table 2. Terminal Functions

TERMINAL		DESCRIPTION
NAME	NO.	
BUSL2	1	Meter-Bus
VB	2	Differential bus voltage after rectifier
STC	3	Support capacitor
RIDD	4	Current adjustment input
PF	5	Power fail output
SC	6	Sampling capacitor
TXI	7	Data output inverted
TX	8	Data output
BAT	9	Logic level adjust
VS	10	Switch for bus or battery supply output
VDD	11	Voltage regulator output
RX	12	Data input
RXI	13	Data input inverted
RIS	14	Adjust input for modulation current
GND	15	Ground
BUSL1	16	Meter-Bus

### Data Transmission, Master to Slave

The mark level on the bus lines  $V_{BUS} = \text{MARK}$  is defined by the difference of BUSL1 and BUSL2 at the slave. It is dependent on the distance of Master to Slave, which affects the voltage drop on the wire. To make the receiver independent, a dynamic reference level on the SC pin is used for the voltage comparator TC3 (see Figure 2).

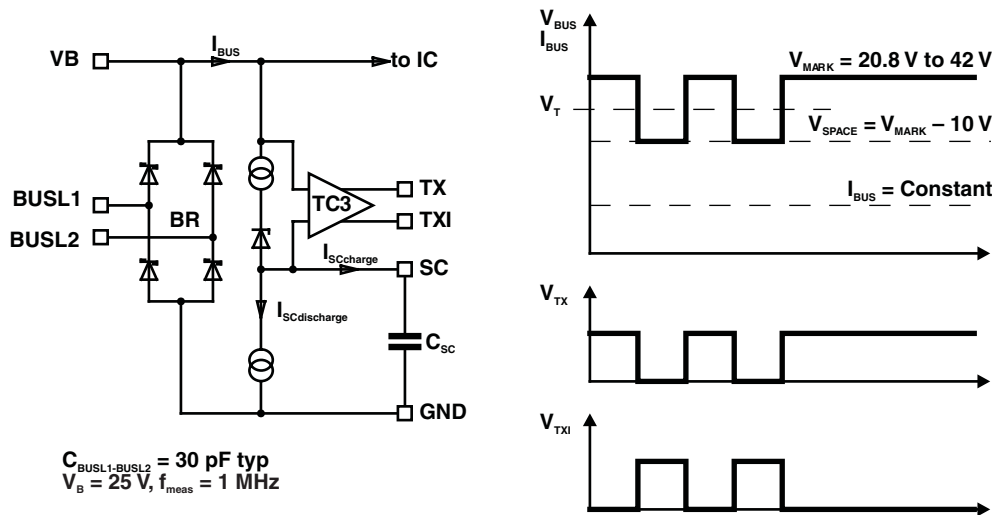


Figure 2. Data Transmission, Master to Slave

A capacitor  $C_{SC}$  at pin SC is charged by a current  $I_{SCcharge}$  and is discharged with a current  $I_{SCdischarge}$  where:

$$I_{SCdischarge} = \frac{I_{SCcharge}}{40 \text{ (typ)}} \quad (1)$$

This ratio is necessary to run any kind of UART protocol independent of the data contents. (for example, if an 11-bit UART protocol is transmitted with all data bits at 0 and only the stop bit at 1). There must be sufficient time to recharge the capacitor  $C_{SC}$ . The input level detector TC3 detects voltage modulations from the master,  $V_{BUS} = \text{SPACE/MARK}$  conditions, and switches the inverted output TXI and the non-inverted output TX.

### Data Transmission, Slave to Master

The device uses current modulation to transmit information from the slave to the master while the bus voltage remains constant. The current source CS3 modulates the bus current and the master detects the modulation. The constant current source CS3 is controlled by the inverted input RXI or the non-inverted input RX. The current source CS3 can be programmed by an external resistor  $R_{RIS}$ . The modulation supply current  $I_{MS}$  flows in addition to the current source CS3 during the modulation time.

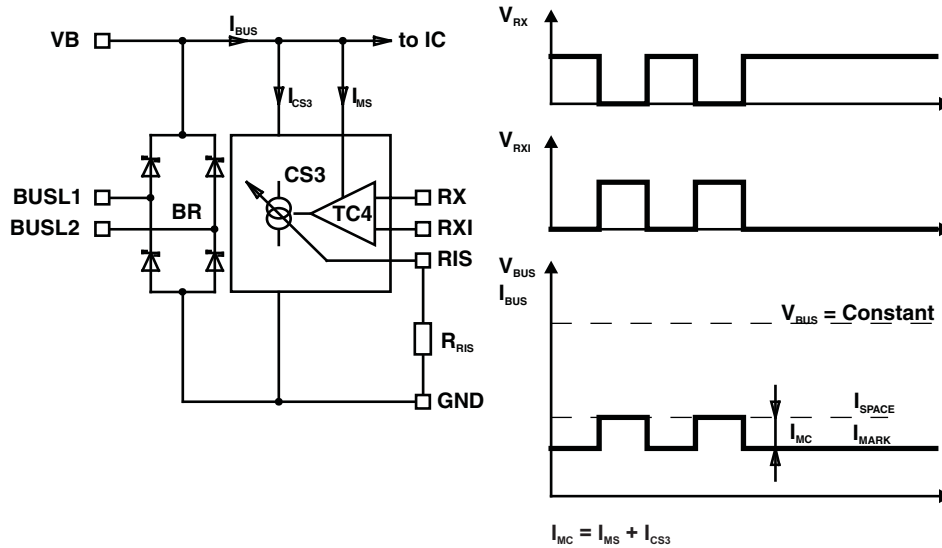


Figure 3. Data Transmission, Slave to Master

Because the TSS721A is configured for half-duplex only, the current modulation from RX or RXI is repeated concurrently as ECHO on the outputs TX and TXI. If the slave, as well as the master, is trying to send information via the lines, the added signals appear on the outputs TX and TXI, which indicates the data collision to the slave (see Figure 1).

The bus topology requires a constant current consumption by each connected slave.

To calculate the value of the programming resistor  $R_{RIS}$ , use the formula shown in Figure 4.

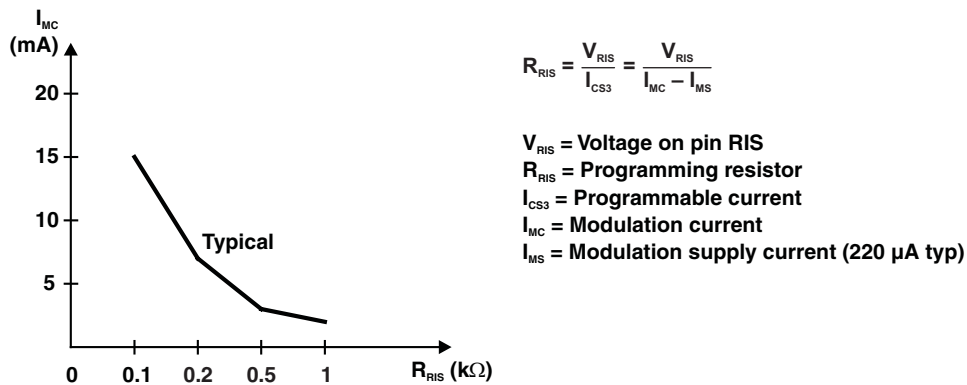


Figure 4. Calculate Programming Resistor  $R_{RIS}$

### Slave Supply, 3.3 V

The TSS721A has an internal 3.3-V voltage regulator. The output power of this voltage regulator is supplied by the storage capacitor  $C_{STC}$  at pin STC. The storage capacitor  $C_{STC}$  at pin STC is charged with constant current  $I_{STC\_use}$  from the current source CS1. The maximum capacitor voltage is limited to REF1. The charge current  $I_{STC}$  has to be defined by an external resistor at pin RIDD.

The adjustment resistor  $R_{RIDD}$  can be calculated using [Equation 2](#).

$$R_{RID} = 25 \frac{V_{RIDD}}{I_{STC}} = 25 \frac{V_{RIDD}}{I_{STC\_use} + I_{IC1}} \quad (2)$$

Where,

- $I_{STC}$  = current from current source CS1
- $I_{STC\_use}$  = charge current for support capacitor
- $I_{IC1}$  = internal current
- $V_{RIDD}$  = voltage on pin RIDD
- $R_{RIDD}$  = value of adjustment resistor

The voltage level of the storage capacitor  $C_{STC}$  is monitored with comparator TC1. Once the voltage  $V_{STC}$  reaches  $V_{VDD\_on}$ , the switch  $S_{VDD}$  connects the stabilized voltage  $V_{VDD}$  to pin VDD. VDD is turned off if the voltage  $V_{STC}$  drops below the  $V_{VDD\_off}$  level.

Voltage variations on the capacitor  $C_{STC}$  create bus current changes (see [Figure 5](#)).

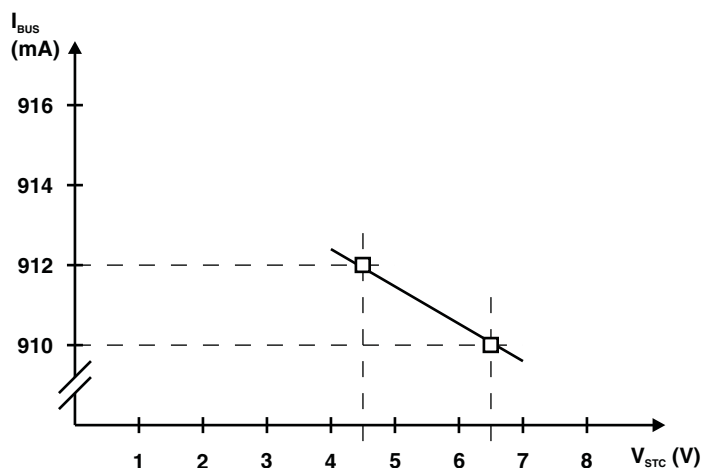


Figure 5. Single Mode Bus Load

At a bus fault the shut down time of VDD ( $t_{off}$ ) in which data storage can be performed depends on the system current  $I_{VDD}$  and the value of capacitor  $C_{STC}$ . See [Figure 6](#), which shows a correlation between the shutdown of the bus voltage  $V_{BUS}$  and  $V_{DD\_off}$  and  $t_{off}$  for dimensioning the capacitor.

The output VS is meant for slave systems that are driven by the bus energy, as well as from a battery should the bus line voltage fail. The switching of VS is synchronized with VDD and is controlled by the comparator TC1. An external transistor at the output VS allows switching from the Meter-Bus remote supply to battery.

## Power On/Off

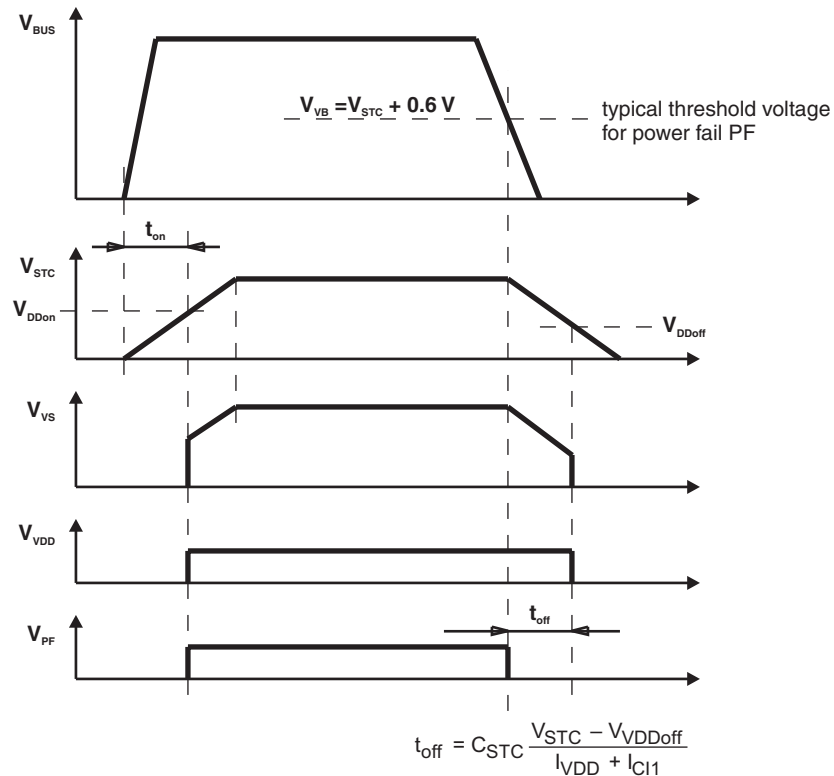


Figure 6. Power On/Off Timing

## Power Fail Function

Because of the rectifier bridge BR at the input, BUSL1, and BUSL2, the TSS721A is polarity independent. The pin VB to ground (GND) delivers the bus voltage  $V_{VB}$  less the voltage drop over the rectifier BR. The voltage comparator TC2 monitors the bus voltage. If the voltage  $V_{VB} > V_{STC} + 0.6\text{ V}$ , then the output PF = 1. The output level PF = 0 (power fail) provides a warning of a critical voltage drop to the microcontroller to save the data immediately.

## ABSOLUTE MAXIMUM RATINGS

over operating free-air temperature range (unless otherwise noted)

$V_{MB}$	Voltage, BUSL1 to BUSL2		$\pm 50$ V
$V_I$	Input voltage range	RX and RXI	-0.3 V to 5.5 V
		BAT	-0.3 V to 5.5 V
$T_J$	Operating junction temperature range		-25°C to 150°C
$T_A$	Operating free-air temperature range		-25°C to 85°C
$T_{STG}$	Storage temperature range		-65°C to 150°C
	Power derating factor, junction to ambient		8 mW/°C

## RECOMMENDED OPERATING CONDITIONS<sup>(1)</sup>

		MIN	MAX	UNIT	
$V_{MB}$	Bus voltage,  BUSL2 – BUSL1	Receiver	10.8	42	V
		Transmitter	12	42	
$V_I$	Input voltage	VB (receive mode)	9.3		V
		BAT <sup>(2)</sup>	2.5	3.8	
$R_{RIDD}$	RIDD resistor	13	80	k $\Omega$	
$R_{RIS}$	RIS resistor	100		$\Omega$	
$T_A$	Operating free-air temperature	-25	85	°C	

(1) All voltage values are measured with respect to the GND terminal unless otherwise noted.

 (2)  $V_{BAT(max)} \leq V_{STC} - 1$  V

## ELECTRICAL CHARACTERISTICS<sup>(1)</sup>

over operating free-air temperature range (unless otherwise noted)

PARAMETER	TEST CONDITIONS	MIN	TYP	MAX	UNIT
$\Delta V_{BR}$	Voltage drop at rectifier BR $I_{BUS} = 3$ mA			1.5	V
$\Delta V_{CS1}$	Voltage drop at current source CS1 $R_{RIDD} = 13$ k $\Omega$			1.8	V
$I_{BUS}$	BUS current $V_{STC} = 6.5$ V, $I_{MC} = 0$ mA	$R_{RIDD} = 13$ k $\Omega$		3	mA
		$R_{RIDD} = 30$ k $\Omega$		1.5	
$\Delta I_{BUS}$	BUS current accuracy $\Delta V_{BUS} = 10$ V, $I_{MC} = 0$ mA, $R_{RIDD} = 13$ k $\Omega$ to 30 k $\Omega$			2	%
$I_{CC}$	Supply current $V_{STC} = 6.5$ V, $I_{MC} = 0$ mA, $V_{BAT} = 3.8$ V, $R_{RIDD} = 13$ k $\Omega$ <sup>(2)</sup>			650	$\mu$ A
$I_{CI1}$	CI1 current $V_{STC} = 6.5$ V, $I_{MC} = 0$ mA, $V_{BAT} = 3.8$ V, $R_{RIDD} = 13$ k $\Omega$ , $V_{BUS} = 6.5$ V, RX/RXI = off <sup>(2)</sup>			350	$\mu$ A
$I_{BAT}$	BAT current	-0.5		0.5	$\mu$ A
$I_{BAT} + I_{VDD}$	BAT plus VDD current $V_{BUS} = 0$ V, $V_{STC} = 0$ V	-0.5		0.5	$\mu$ A
$V_{VDD}$	VDD voltage $-I_{VDD} = 1$ mA, $V_{STC} = 6.5$ V	3.1		3.4	V
$R_{VDD}$	VDD resistance $-I_{VDD} = 2$ to 8 mA, $V_{STC} = 4.5$ V			5	$\Omega$
$V_{STC}$	STC voltage $V_{DD} =$ on, $V_S =$ on		5.6	6.4	V
		$V_{DD} =$ off, $V_S =$ off	3.8	4.3	
		$I_{VDD} < I_{STC\_use}$	6.5	7.5	
$I_{STC\_use}$	STC current $V_{STC} = 5$ V	$R_{RIDD} = 30$ k $\Omega$	0.65	1.1	mA
		$R_{RIDD} = 13$ k $\Omega$	1.85	2.4	
$V_{RIDD}$	RIDD voltage $R_{RIDD} = 30$ k $\Omega$	1.23		1.33	V
$V_{VS}$	VS voltage $V_{DD} =$ on, $I_{VS} = -5$ $\mu$ A	$V_{STC} - 0.4$		$V_{STC}$	V
$R_{VS}$	VS resistance $V_{DD} =$ off	0.3		1	M $\Omega$
$V_{PF}$	PF voltage $V_{STC} = 6.5$ V	$V_{VB} = V_{STC} + 0.8$ V, $I_{PF} = -100$ $\mu$ A	$V_{BAT} - 0.6$	$V_{BAT}$	V
		$V_{VB} = V_{STC} + 0.3$ V, $I_{PF} = 1$ $\mu$ A	0	0.6	
		$V_{VB} = V_{STC} + 0.3$ V, $I_{PF} = 5$ $\mu$ A	0	0.9	

(1) All voltage values are measured with respect to the GND terminal, unless otherwise noted.

 (2) Inputs RX/RXI and outputs TX/TXI are open,  $I_{CC} = I_{CI1} + I_{CI2}$

## ELECTRICAL CHARACTERISTICS<sup>(1)</sup> (continued)

over operating free-air temperature range (unless otherwise noted)

PARAMETER	TEST CONDITIONS	MIN	TYP	MAX	UNIT
$t_{on}$ Turn-on time	$C_{STC} = 50 \mu\text{F}$ , Bus voltage slew rate: 1 V/ $\mu\text{s}$			3	s

## RECEIVER SECTION ELECTRICAL CHARACTERISTICS<sup>(1)</sup>

over operating free-air temperature range (unless otherwise noted)

PARAMETER	TEST CONDITIONS	MIN	TYP	MAX	UNIT
$V_T$	See <a href="#">Figure 2</a>	MARK – 8.2		MARK – 5.7	V
$V_{SC}$ SC voltage				$V_{VB}$	V
$I_{SCcharge}$ SC charge current	$V_{SC} = 24 \text{ V}$ , $V_{VB} = 36 \text{ V}$	–15		–40	$\mu\text{A}$
$I_{SCdischarge}$ SC discharge current	$V_{SC} = V_{VB} = 24 \text{ V}$	0.3		$-0.033 \times I_{SCcharge}$	$\mu\text{A}$
$V_{OH}$ High-level output voltage (TX, TXI)	$I_{TX}/I_{TXI} = -100 \mu\text{A}$ (see <a href="#">Figure 2</a> )	$V_{BAT} - 0.6$		$V_{BAT}$	V
$V_{OL}$ Low-level output voltage (TX, TXI)	$I_{TX}/I_{TXI} = 100 \mu\text{A}$	0		0.5	V
	$I_{TX} = 1.1 \text{ mA}$	0		1.5	V
$I_{TX}$ $I_{TXI}$ TX, TXI current	$V_{TX} = 7.5$ , $V_{VB} = 12 \text{ V}$ , $V_{STC} = 6 \text{ V}$ , $V_{BAT} = 3.8 \text{ V}$			10	$\mu\text{A}$

(1) All voltage values are measured with respect to the GND terminal, unless otherwise noted.

## TRANSMITTER SECTION ELECTRICAL CHARACTERISTICS<sup>(1)</sup>

over operating free-air temperature range (unless otherwise noted)

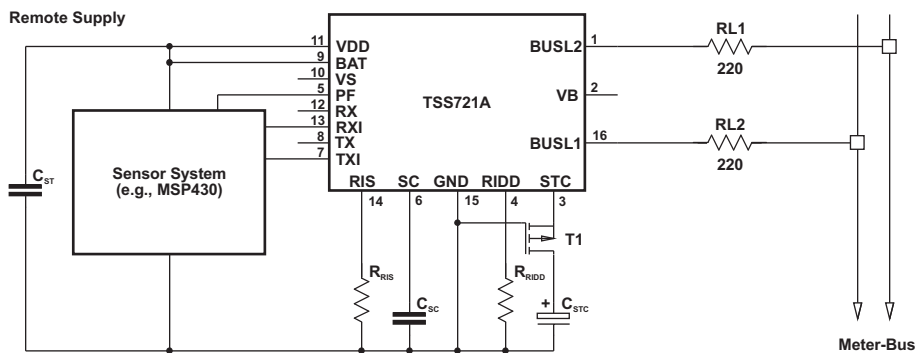
PARAMETER	TEST CONDITIONS	MIN	TYP	MAX	UNIT
$I_{MC}$ MC voltage	$R_{RIS} = 100 \Omega$	11.5		19.5	mA
$V_{RIS}$ RIS voltage	$R_{RIS} = 100 \Omega$	1.4		1.7	V
	$R_{RIS} = 1000 \Omega$	1.5		1.8	V
$V_{IH}$ High-level input voltage (RX, RXI)	See <a href="#">Figure 3</a> , see <sup>(2)</sup>	$V_{BAT} - 0.8$		5.5	V
$V_{IL}$ Low-level input voltage (RX, RXI)	See <a href="#">Figure 3</a>	0		0.8	V
$I_{RX}$ RX current	$V_{RX} = V_{BAT} = 3 \text{ V}$ , $V_{VB} = V_{STC} = 0 \text{ V}$	–0.5		0.5	$\mu\text{A}$
	$V_{RX} = 0 \text{ V}$ , $V_{BAT} = 3 \text{ V}$ , $V_{STC} = 6.5 \text{ V}$	–10		–40	$\mu\text{A}$
$I_{RXI}$ RXI current	$V_{RXI} = V_{BAT} = 3 \text{ V}$ , $V_{VB} = V_{STC} = 0 \text{ V}$	10		40	$\mu\text{A}$
	$V_{RXI} = V_{BAT} = 3 \text{ V}$ , $V_{STC} = 6.5 \text{ V}$	10		40	$\mu\text{A}$

(1) All voltage values are measured with respect to the GND terminal, unless otherwise noted.

(2)  $V_{IH}(\text{max}) = 5.5 \text{ V}$  is valid only when  $V_{STC} > = 6.5 \text{ V}$ .



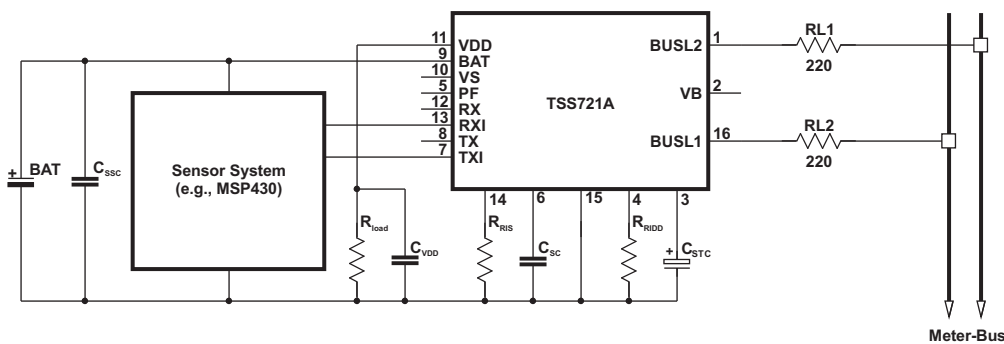
APPLICATION INFORMATION



$R_{RIDD} = 30\text{ k}\Omega$	$C_{STC} \leq 220\text{ }\mu\text{F}$	single load 1UL
$R_{RIDD} = 13\text{ k}\Omega$	$C_{STC} \leq 470\text{ }\mu\text{F}$	double load 2UL

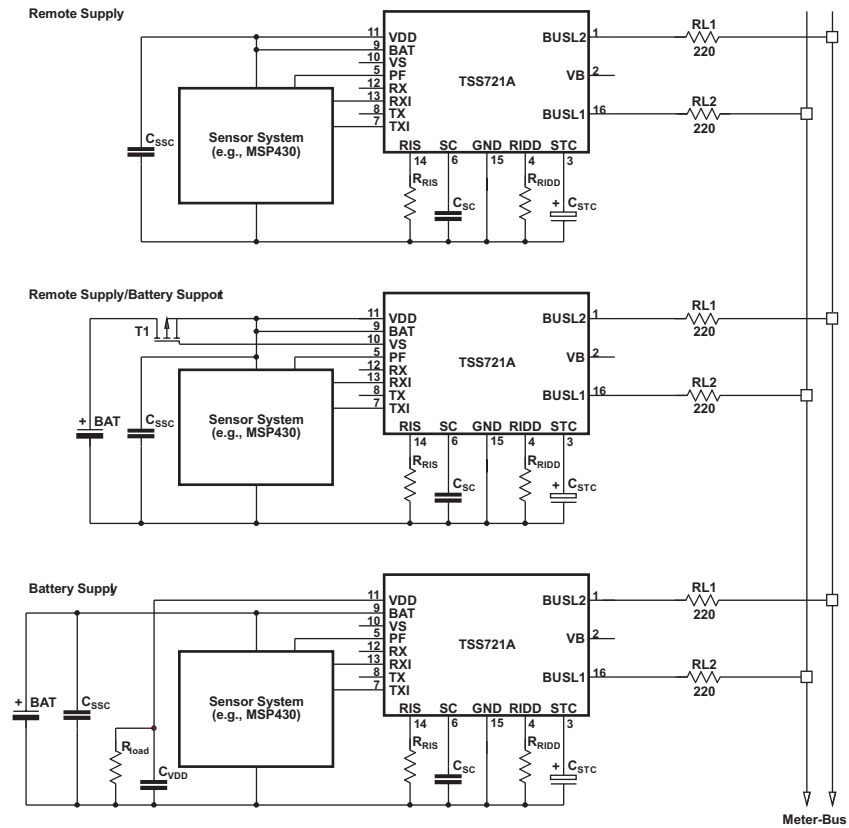
NOTE: Transistor T1 should be a BSS84.

Figure 7. Basic Application Circuit Using Support Capacitor  $C_{STC} > 50\text{ }\mu\text{F}$



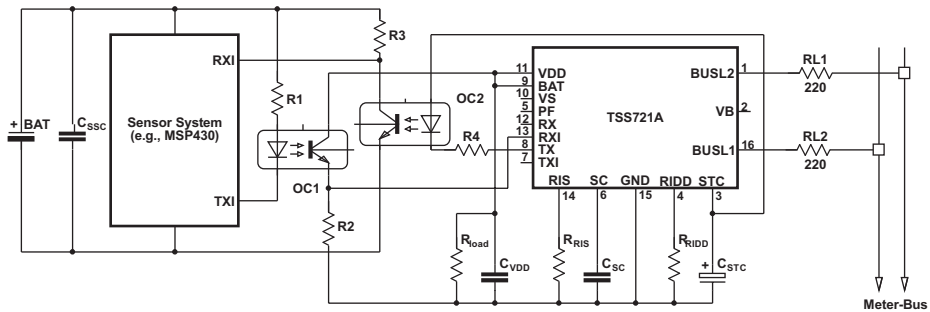
- $C_{SSC}$  - system stabilising capacitor
- $C_{STC}$  - support capacitor
- $C_{SC}$  - sampling capacitor
- $C_{VDD}$  - stabilising capacitor (100 nF)
- $C_{STC}:C_{VDD} \geq 4:1$
- $R_{RIDD}$  - slave-current adjustment resistor
- $R_{RIS}$  - modulation-current resistor
- RL1, RL2 - protection resistors
- $R_{load}$  - discharge resistor (100 kΩ recommended)

Figure 8. Basic Application Circuit for Supply From Battery



NOTE:  $R_{DSon}$  of the transistor T1 (BSS84) at low battery voltage must be considered during application design.

**Figure 9. Basic Applications for Different Supply Modes**



**Figure 10. Basic Optocoupler Application**

**PACKAGING INFORMATION**

Orderable Device	Status <sup>(1)</sup>	Package Type	Package Drawing	Pins	Package Qty	Eco Plan <sup>(2)</sup>	Lead/ Ball Finish	MSL Peak Temp <sup>(3)</sup>	Samples (Requires Login)
TSS721AD	ACTIVE	SOIC	D	16	40	Green (RoHS & no Sb/Br)	CU NIPDAU	Level-1-260C-UNLIM	
TSS721ADR	ACTIVE	SOIC	D	16	2500	Green (RoHS & no Sb/Br)	CU NIPDAU	Level-1-260C-UNLIM	

<sup>(1)</sup> The marketing status values are defined as follows:

**ACTIVE:** Product device recommended for new designs.

**LIFEBUY:** TI has announced that the device will be discontinued, and a lifetime-buy period is in effect.

**NRND:** Not recommended for new designs. Device is in production to support existing customers, but TI does not recommend using this part in a new design.

**PREVIEW:** Device has been announced but is not in production. Samples may or may not be available.

**OBSOLETE:** TI has discontinued the production of the device.

<sup>(2)</sup> Eco Plan - The planned eco-friendly classification: Pb-Free (RoHS), Pb-Free (RoHS Exempt), or Green (RoHS & no Sb/Br) - please check <http://www.ti.com/productcontent> for the latest availability information and additional product content details.

**TBD:** The Pb-Free/Green conversion plan has not been defined.

**Pb-Free (RoHS):** TI's terms "Lead-Free" or "Pb-Free" mean semiconductor products that are compatible with the current RoHS requirements for all 6 substances, including the requirement that lead not exceed 0.1% by weight in homogeneous materials. Where designed to be soldered at high temperatures, TI Pb-Free products are suitable for use in specified lead-free processes.

**Pb-Free (RoHS Exempt):** This component has a RoHS exemption for either 1) lead-based flip-chip solder bumps used between the die and package, or 2) lead-based die adhesive used between the die and leadframe. The component is otherwise considered Pb-Free (RoHS compatible) as defined above.

**Green (RoHS & no Sb/Br):** TI defines "Green" to mean Pb-Free (RoHS compatible), and free of Bromine (Br) and Antimony (Sb) based flame retardants (Br or Sb do not exceed 0.1% by weight in homogeneous material)

<sup>(3)</sup> MSL, Peak Temp. -- The Moisture Sensitivity Level rating according to the JEDEC industry standard classifications, and peak solder temperature.

**Important Information and Disclaimer:** The information provided on this page represents TI's knowledge and belief as of the date that it is provided. TI bases its knowledge and belief on information provided by third parties, and makes no representation or warranty as to the accuracy of such information. Efforts are underway to better integrate information from third parties. TI has taken and continues to take reasonable steps to provide representative and accurate information but may not have conducted destructive testing or chemical analysis on incoming materials and chemicals. TI and TI suppliers consider certain information to be proprietary, and thus CAS numbers and other limited information may not be available for release.

In no event shall TI's liability arising out of such information exceed the total purchase price of the TI part(s) at issue in this document sold by TI to Customer on an annual basis.

D (R-PDSO-G16)

PLASTIC SMALL OUTLINE



- NOTES:
- A. All linear dimensions are in inches (millimeters).
  - B. This drawing is subject to change without notice.
  - C. Body length does not include mold flash, protrusions, or gate burrs. Mold flash, protrusions, or gate burrs shall not exceed 0.006 (0,15) each side.
  - D. Body width does not include interlead flash. Interlead flash shall not exceed 0.017 (0,43) each side.
  - E. Reference JEDEC MS-012 variation AC.

D (R-PDSO-G16)

PLASTIC SMALL OUTLINE



- NOTES:
- A. All linear dimensions are in millimeters.
  - B. This drawing is subject to change without notice.
  - C. Publication IPC-7351 is recommended for alternate designs.
  - D. Laser cutting apertures with trapezoidal walls and also rounding corners will offer better paste release. Customers should contact their board assembly site for stencil design recommendations. Refer to IPC-7525 for other stencil recommendations.
  - E. Customers should contact their board fabrication site for solder mask tolerances between and around signal pads.

## IMPORTANT NOTICE

Texas Instruments Incorporated and its subsidiaries (TI) reserve the right to make corrections, enhancements, improvements and other changes to its semiconductor products and services per JESD46, latest issue, and to discontinue any product or service per JESD48, latest issue. Buyers should obtain the latest relevant information before placing orders and should verify that such information is current and complete. All semiconductor products (also referred to herein as "components") are sold subject to TI's terms and conditions of sale supplied at the time of order acknowledgment.

TI warrants performance of its components to the specifications applicable at the time of sale, in accordance with the warranty in TI's terms and conditions of sale of semiconductor products. Testing and other quality control techniques are used to the extent TI deems necessary to support this warranty. Except where mandated by applicable law, testing of all parameters of each component is not necessarily performed.

TI assumes no liability for applications assistance or the design of Buyers' products. Buyers are responsible for their products and applications using TI components. To minimize the risks associated with Buyers' products and applications, Buyers should provide adequate design and operating safeguards.

TI does not warrant or represent that any license, either express or implied, is granted under any patent right, copyright, mask work right, or other intellectual property right relating to any combination, machine, or process in which TI components or services are used. Information published by TI regarding third-party products or services does not constitute a license to use such products or services or a warranty or endorsement thereof. Use of such information may require a license from a third party under the patents or other intellectual property of the third party, or a license from TI under the patents or other intellectual property of TI.

Reproduction of significant portions of TI information in TI data books or data sheets is permissible only if reproduction is without alteration and is accompanied by all associated warranties, conditions, limitations, and notices. TI is not responsible or liable for such altered documentation. Information of third parties may be subject to additional restrictions.

Resale of TI components or services with statements different from or beyond the parameters stated by TI for that component or service voids all express and any implied warranties for the associated TI component or service and is an unfair and deceptive business practice. TI is not responsible or liable for any such statements.

Buyer acknowledges and agrees that it is solely responsible for compliance with all legal, regulatory and safety-related requirements concerning its products, and any use of TI components in its applications, notwithstanding any applications-related information or support that may be provided by TI. Buyer represents and agrees that it has all the necessary expertise to create and implement safeguards which anticipate dangerous consequences of failures, monitor failures and their consequences, lessen the likelihood of failures that might cause harm and take appropriate remedial actions. Buyer will fully indemnify TI and its representatives against any damages arising out of the use of any TI components in safety-critical applications.

In some cases, TI components may be promoted specifically to facilitate safety-related applications. With such components, TI's goal is to help enable customers to design and create their own end-product solutions that meet applicable functional safety standards and requirements. Nonetheless, such components are subject to these terms.

No TI components are authorized for use in FDA Class III (or similar life-critical medical equipment) unless authorized officers of the parties have executed a special agreement specifically governing such use.

Only those TI components which TI has specifically designated as military grade or "enhanced plastic" are designed and intended for use in military/aerospace applications or environments. Buyer acknowledges and agrees that any military or aerospace use of TI components which have **not** been so designated is solely at the Buyer's risk, and that Buyer is solely responsible for compliance with all legal and regulatory requirements in connection with such use.

TI has specifically designated certain components which meet ISO/TS16949 requirements, mainly for automotive use. Components which have not been so designated are neither designed nor intended for automotive use; and TI will not be responsible for any failure of such components to meet such requirements.

### Products

Audio	<a href="http://www.ti.com/audio">www.ti.com/audio</a>
Amplifiers	<a href="http://amplifier.ti.com">amplifier.ti.com</a>
Data Converters	<a href="http://dataconverter.ti.com">dataconverter.ti.com</a>
DLP® Products	<a href="http://www.dlp.com">www.dlp.com</a>
DSP	<a href="http://dsp.ti.com">dsp.ti.com</a>
Clocks and Timers	<a href="http://www.ti.com/clocks">www.ti.com/clocks</a>
Interface	<a href="http://interface.ti.com">interface.ti.com</a>
Logic	<a href="http://logic.ti.com">logic.ti.com</a>
Power Mgmt	<a href="http://power.ti.com">power.ti.com</a>
Microcontrollers	<a href="http://microcontroller.ti.com">microcontroller.ti.com</a>
RFID	<a href="http://www.ti-rfid.com">www.ti-rfid.com</a>
OMAP Applications Processors	<a href="http://www.ti.com/omap">www.ti.com/omap</a>
Wireless Connectivity	<a href="http://www.ti.com/wirelessconnectivity">www.ti.com/wirelessconnectivity</a>

### Applications

Automotive and Transportation	<a href="http://www.ti.com/automotive">www.ti.com/automotive</a>
Communications and Telecom	<a href="http://www.ti.com/communications">www.ti.com/communications</a>
Computers and Peripherals	<a href="http://www.ti.com/computers">www.ti.com/computers</a>
Consumer Electronics	<a href="http://www.ti.com/consumer-apps">www.ti.com/consumer-apps</a>
Energy and Lighting	<a href="http://www.ti.com/energy">www.ti.com/energy</a>
Industrial	<a href="http://www.ti.com/industrial">www.ti.com/industrial</a>
Medical	<a href="http://www.ti.com/medical">www.ti.com/medical</a>
Security	<a href="http://www.ti.com/security">www.ti.com/security</a>
Space, Avionics and Defense	<a href="http://www.ti.com/space-avionics-defense">www.ti.com/space-avionics-defense</a>
Video and Imaging	<a href="http://www.ti.com/video">www.ti.com/video</a>

### TI E2E Community

[e2e.ti.com](http://e2e.ti.com)