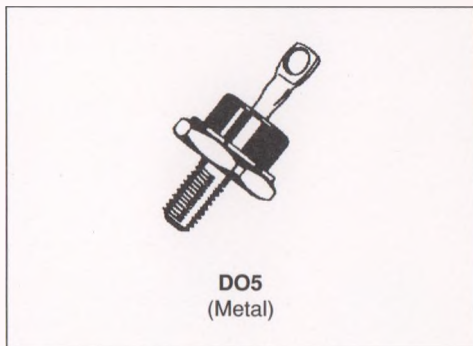


**RECTIFIER DIODES**

- STANDARD RECTIFIER
- HIGH SURGE CURRENT CAPABILITY
- LOW FORWARD VOLTAGE DROP


**ABSOLUTE MAXIMUM RATINGS** (limiting values)

Symbol	Parameter	Value	Unit
$I_{F(AV)}$	Average forward current *	$T_c=140^{\circ}\text{C}$ 40	A
$I_{FSM}$	Surge non repetitive forward current	$t_p=10\text{ms}$ sinusoidal 700	A
$P_{tot}$	Power dissipation *	$T_c=140^{\circ}\text{C}$ 44	W
$T_{stg}$ $T_j$	Storage and junction temperature range	- 55 to + 175	$^{\circ}\text{C}$

\* Single phase, half wave, resistive or inductive load.

Symbol	Parameter	1N							Unit
		1186	1187	1188	1189	1190	3766	3768	
$V_{RRM}$	Repetitive peak reverse voltage	200	300	400	500	600	800	1000	V

**THERMAL RESISTANCE**

Symbol	Parameter	Value	Unit
$R_{th(j-c)}$	Junction to case	0.8	$^{\circ}\text{C/W}$

**ELECTRICAL CHARACTERISTICS**

Symbol	Test Conditions		Min.	Typ.	Max.	Unit
$V_F$ *	$T_j = 25^{\circ}\text{C}$	$I_F = 110\text{ A}$			1.5	V
$I_R$ **	$T_j = 150^{\circ}\text{C}$	$V_R = V_{RRM}$			5	mA

Pulse test : \*  $t_p = 380\ \mu\text{s}$ , duty cycle < 2 %

\*\*  $t_p = 5\ \text{ms}$ , duty cycle < 2 %