

# High-speed switching diode

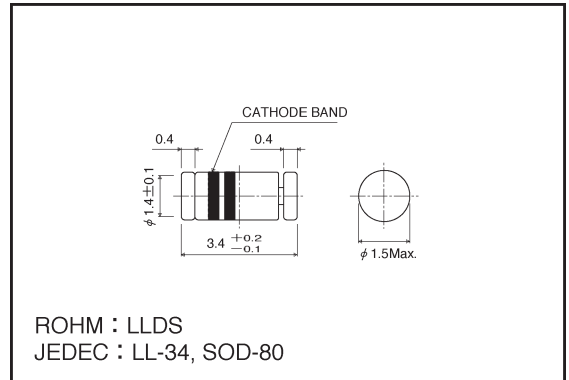
## RLS4148 / RLS4150 / RLS4448

\*This product is available only outside of Japan.

### ●JEDEC Standard Product

The following RLS series diodes are available to support the JEDEC standard.

### ●External dimensions (Units: mm)



### ●Absolute maximum ratings (Ta = 25°C)

Type	V <sub>RM</sub> (V)	V <sub>R</sub> (V)	I <sub>FM</sub> (mA)	I <sub>o</sub> (mA)	I <sub>F</sub> (mA)	I <sub>FSM</sub> 1 μs (A)	P (mW)	T <sub>j</sub> (°C)	T <sub>opr</sub> (°C)	T <sub>stg</sub> (°C)
RLS4148	100	75	450	150	200	2	500	200	-65~+200	-65~+200
RLS4150	50	50	600	200	250	4	500	200	-65~+200	-65~+200
RLS4448	100	75	450	150	200	2	500	200	-65~+200	-65~+200

### ●Electrical characteristics (Ta = 25°C)

Type	V <sub>F</sub> (V)						B <sub>v</sub> (V) Min.		I <sub>R</sub> (μA) Max.				Cr (pF) V <sub>R</sub> =0 f=1MHz	t <sub>rr</sub> (ns) V <sub>R</sub> =6V I <sub>F</sub> =10mA R <sub>L</sub> =100Ω
	@ 1mA	@ 5mA	@ 10mA	@ 50mA	@ 100mA	@ 200mA	@ 5 μA	@ 100 μA	@25°C		@150°C			
									V <sub>R</sub> (V)		V <sub>R</sub> (V)			
RLS4148	/	/	1.0	/	/	/	75	100	0.025	20	50.0	20	4	4
RLS4150	0.54	/	0.66	0.76	0.82	0.87	-	50	0.1	50	100.0	50	2.5	4
RLS4448	/	0.62	/	/	/	/	-	100	0.025	20	50.0	20	4	4
		0.72				1.0			5.0	75				

The upper figure is the minimum V<sub>F</sub> and the lower figure is the maximum V<sub>F</sub> value.

●Electrical characteristic curves (Ta = 25°C unless specified otherwise)

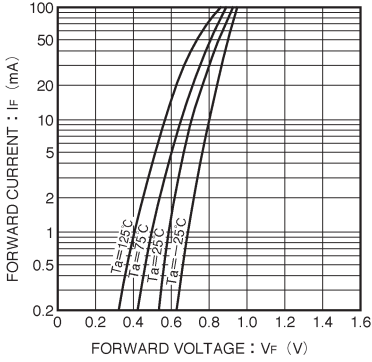


Fig. 1 Forward characteristics

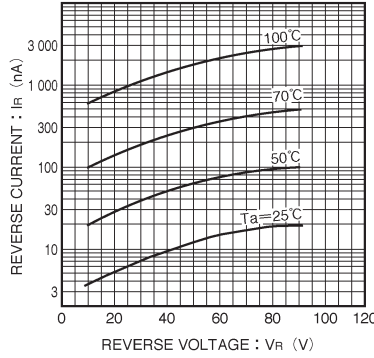


Fig. 2 Reverse characteristics

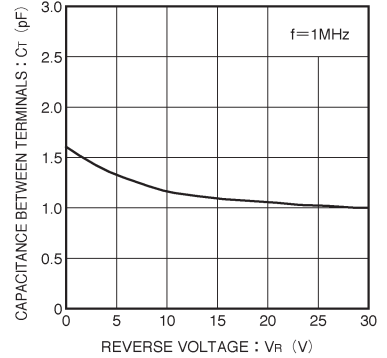


Fig. 3 Capacitance between terminals characteristics

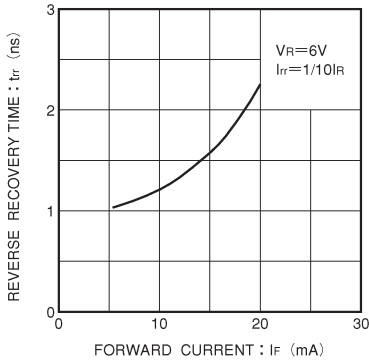


Fig. 4 Reverse recovery time characteristics

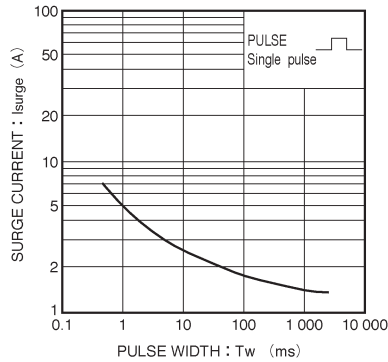


Fig. 5 Surge current characteristics

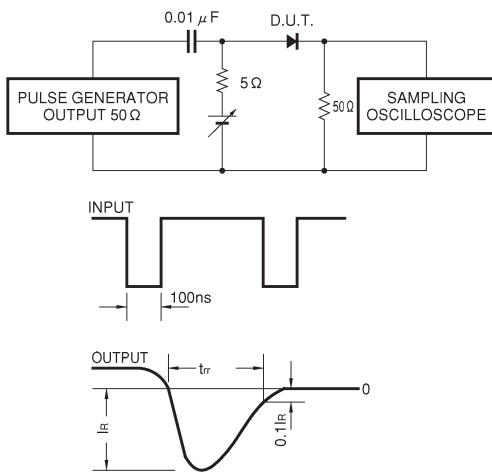


Fig. 6 Reverse recovery time ( $t_{rr}$ ) measurement circuit