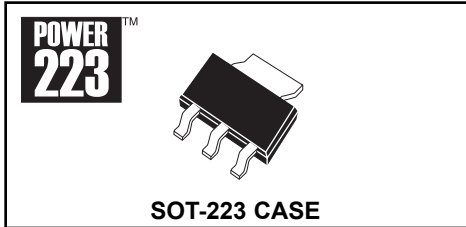


CZT7090L
SURFACE MOUNT
LOW $V_{CE(SAT)}$
PNP SILICON POWER TRANSISTOR



CentralTM

Semiconductor Corp.

DESCRIPTION:

The CENTRAL SEMICONDUCTOR CZT7090L is a Low $V_{CE(SAT)}$ PNP Transistor in a space saving Power SOT-223 surface mount package, designed for DC-DC converters for mobile systems and LAN cards, motor control, power management and strobe flash units.

MARKING CODE: FULL PART NUMBER

MAXIMUM RATINGS: ($T_A=25^\circ\text{C}$)

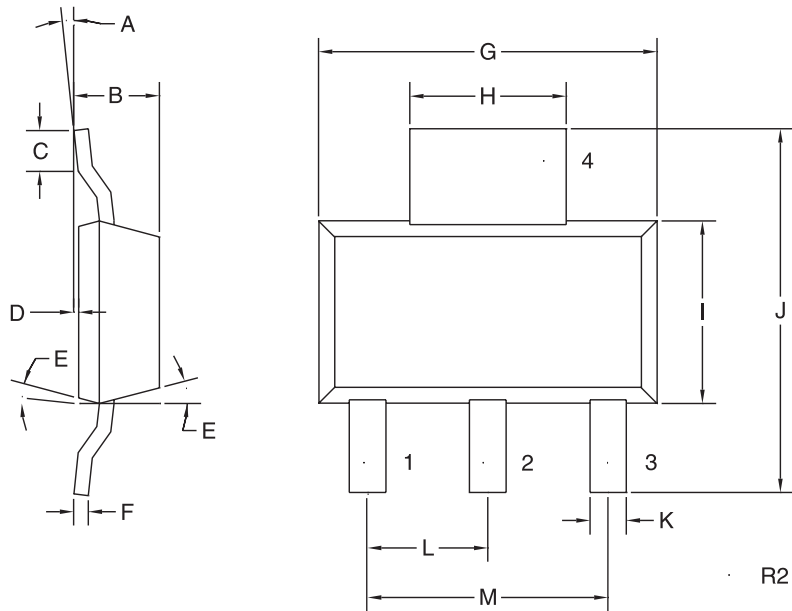
	SYMBOL		UNITS
Collector-Base Voltage	V_{CBO}	50	V
Collector-Emitter Voltage	V_{CEO}	40	V
Emitter-Base Voltage	V_{EBO}	5.0	V
Continuous Collector Current	I_C	3.0	A
Peak Pulse Current	I_{CM}	6.0	A
Power Dissipation	P_D	2.0	W
Operating and Storage			
Junction Temperature	T_J, T_{stg}	-65 to +150	$^\circ\text{C}$
Thermal Resistance	θ_{JA}	62.5	$^\circ\text{C/W}$

ELECTRICAL CHARACTERISTICS: ($T_A=25^\circ\text{C}$ unless otherwise noted)

SYMBOL	TEST CONDITIONS	MIN	TYP	MAX	UNITS
I_{CBO}	$V_{CB}=30\text{V}$			100	nA
I_{CBO}	$V_{CB}=30\text{V}, T_A=100^\circ\text{C}$			10	μA
I_{EBO}	$V_{EB}=4.0\text{V}$			100	nA
BV_{CBO}	$I_C=100\mu\text{A}$	50			V
BV_{CEO}	$I_C=10\text{mA}$	40			V
BV_{EBO}	$I_E=100\mu\text{A}$	5.0			V
$V_{CE(SAT)}$	$I_C=500\text{mA}, I_B=5.0\text{mA}$		100	250	mV
$V_{CE(SAT)}$	$I_C=1.0\text{A}, I_B=10\text{mA}$		175	450	mV
$V_{CE(SAT)}$	$I_C=2.0\text{A}, I_B=50\text{mA}$		250	750	mV
$V_{BE(SAT)}$	$I_C=1.0\text{A}, I_B=10\text{mA}$		0.8	1.0	V
h_{FE}	$V_{CE}=2.0\text{V}, I_C=10\text{mA}$	300		800	
h_{FE}	$V_{CE}=2.0\text{V}, I_C=500\text{mA}$	250			
h_{FE}	$V_{CE}=2.0\text{V}, I_C=1.0\text{A}$	200			
h_{FE}	$V_{CE}=2.0\text{V}, I_C=2.0\text{A}$	150			
f_T	$V_{CE}=5\text{V}, I_C=50\text{mA}, f=50\text{MHz}$	100			MHz

R1 (14-November 2002)

SOT-223 CASE - MECHANICAL OUTLINE



LEAD CODE:

- 1) BASE
- 2) COLLECTOR
- 3) EMITTER
- 4) COLLECTOR

MARKING CODE:

FULL PART NUMBER

SYMBOL	DIMENSIONS			
	INCHES		MILLIMETERS	
	MIN	MAX	MIN	MAX
A	0°	7°	0°	7°
B	0.063	0.067	1.60	1.70
C	0.022		0.55	
D	0.001	0.004	0.03	0.10
E	15°		15°	
F	0.009	0.013	0.23	0.33
G	0.248	0.264	6.30	6.71
H	0.114	0.122	2.90	3.10
I	0.130	0.146	3.30	3.71
J	0.264	0.287	6.71	7.29
K	0.024	0.031	0.61	0.79
L	0.091		2.31	
M	0.181		4.60	

SOT-223 (REV: R2)

R1 (14-November 2002)