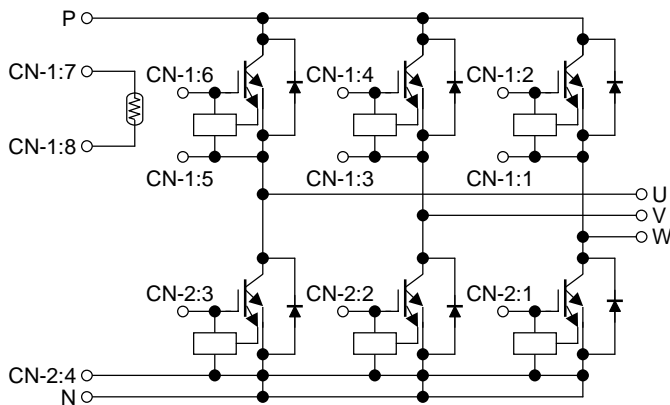


MG200J6ES60(600V/200A 6in1)

High Power Switching Applications
 Motor Control Applications

- Integrates inverter power circuit in to a single package.
- The electrodes are isolated from case.
- Low thermal resistance
- $V_{CE(sat)} = 1.6\text{ V (typ.)}$

Equivalent Circuit



Signal Terminal

CN-1

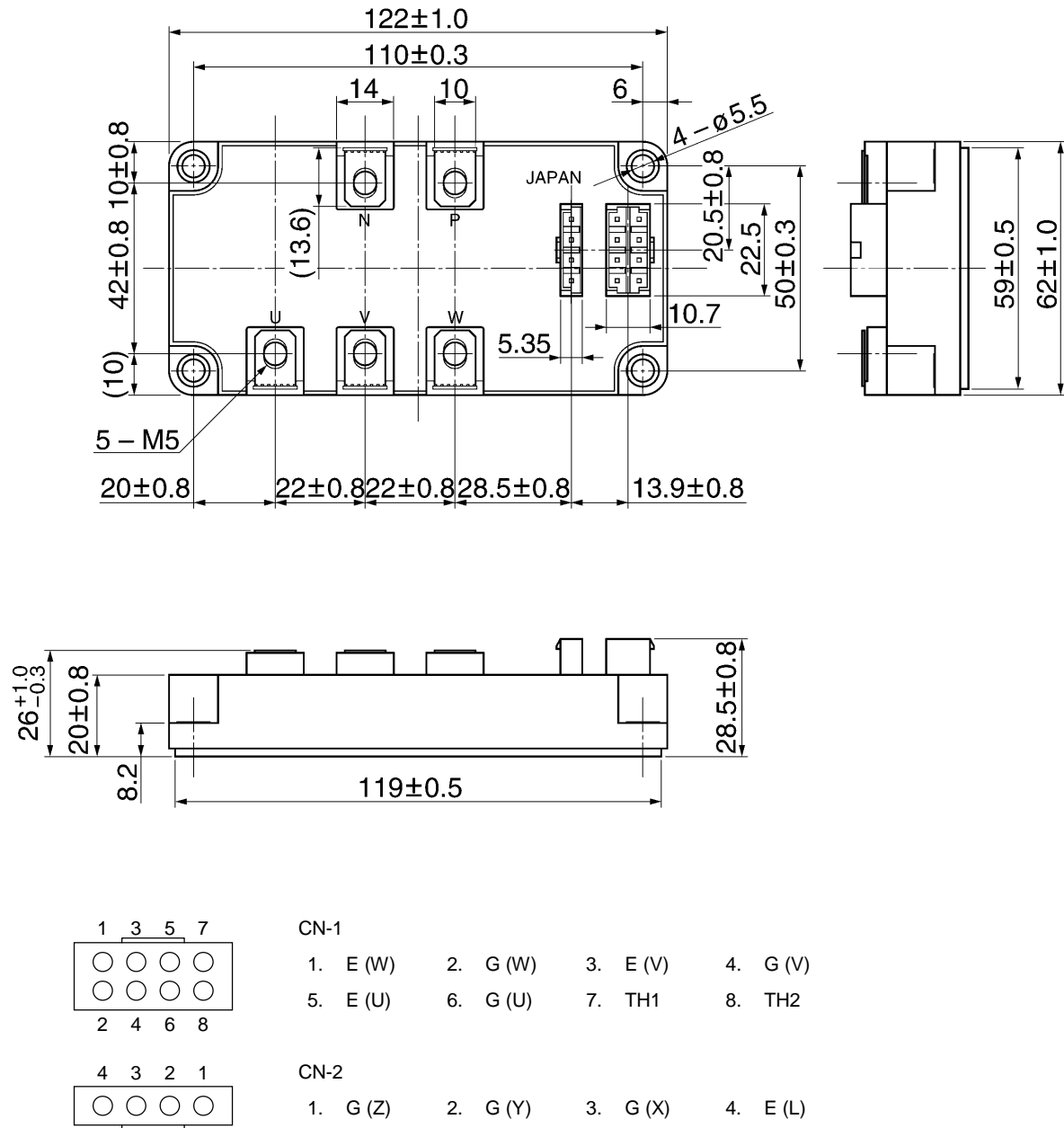
- | | | | |
|----------|----------|----------|----------|
| 1. E (W) | 2. G (W) | 3. E (V) | 4. G (V) |
| 5. E (U) | 6. G (U) | 7. TH1 | 8. TH2 |

CN-2

- | | | | |
|----------|----------|----------|----------|
| 1. G (Z) | 2. G (Y) | 3. G (X) | 4. E (L) |
|----------|----------|----------|----------|

Package Dimensions: 2-123B1A

Unit: mm



Maximum Ratings (Ta = 25°C)

Stage	Characteristics	Symbol	Rating	Unit	
Inverter	Collector-emitter voltage	V_{CES}	600	V	
	Gate-emitter voltage	V_{GES}	±20	V	
	Collector current	DC	I_C	200	A
		1 ms	I_{CP}	400	
	Forward current	DC	I_F	200	A
		1 ms	I_{FM}	400	
Collector power dissipation (Tc = 25°C)		P_C	1000	W	
Module	Junction temperature	T_j	150	°C	
	Storage temperature range	T_{stg}	-40~125	°C	
	Isolation voltage	V_{isol}	2500 (AC 1 min)	V	
	Screw torque	—	3 (M5)	N·m	

Electrical Characteristics (Tj = 25°C)

1. Inverter stage

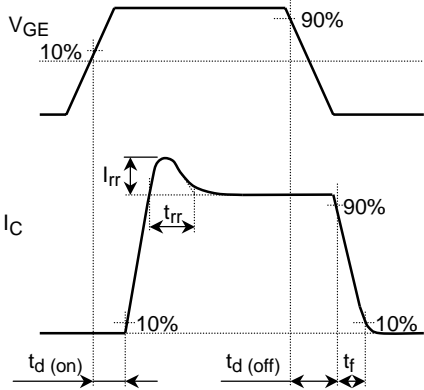
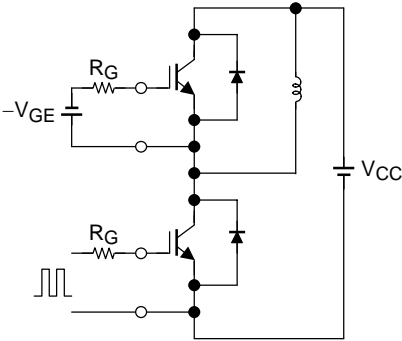
Characteristics	Symbol	Test Condition	Min	Typ.	Max	Unit	
Gate leakage current	I_{GES}	$V_{GE} = \pm 20 \text{ V}, V_{CE} = 0$	—	—	±500	nA	
Collector cut-off current	I_{CES}	$V_{CE} = 600 \text{ V}, V_{GE} = 0$	—	—	1.0	mA	
Gate-emitter cut-off voltage	$V_{GE (off)}$	$V_{CE} = 5 \text{ V}, I_C = 200 \text{ mA}$	5.0	6.5	8.0	V	
Collector-emitter saturation voltage	$V_{CE (sat)}$	$V_{GE} = 15 \text{ V}, I_C = 200 \text{ A}$	$T_j = 25^\circ\text{C}$	—	1.6	2.2	V
			$T_j = 125^\circ\text{C}$	—	—	2.2	
Input capacitance	C_{ies}	$V_{CE} = 10 \text{ V}, V_{GE} = 0, f = 1 \text{ MHz}$	—	33000	—	pF	
Switching time	Turn-on delay time	$t_{d (on)}$	—	—	1.00	μs	
	Turn-off time	t_{off}	—	—	1.20		
	Fall time	t_f	—	—	0.50		
Reverse recovery time	t_{rr}	$V_{CC} = 300 \text{ V}, I_C = 200 \text{ A}$ $V_{GE} = \pm 15 \text{ V}, R_G = 10 \Omega$ (Note 1)	—	—	0.30		
Forward voltage	V_F		$I_F = 200 \text{ A}$	—	1.7	2.3	V

Note 1: Switching time test circuit & timing chart

2. Module (Tc = 25°C)

Characteristics	Symbol	Test Condition	Min	Typ.	Max	Unit
Zero-power resistance	R25	ITM = 0.2 mA	—	100	—	kΩ
B value	B25/85	Tc = 25°C/Tc = 85°C	—	4390	—	K
Junction to case thermal resistance	$R_{th (j-c)}$	Inverter IGBT stage	—	—	0.125	°C/W
		Inverter FRD stage	—	—	0.195	
Case to fin thermal resistance	$R_{th (c-f)}$	—	—	0.05	—	°C/W

Switching Time Test Circuit & Timing Chart



RESTRICTIONS ON PRODUCT USE

000707EAA

- TOSHIBA is continually working to improve the quality and reliability of its products. Nevertheless, semiconductor devices in general can malfunction or fail due to their inherent electrical sensitivity and vulnerability to physical stress. It is the responsibility of the buyer, when utilizing TOSHIBA products, to comply with the standards of safety in making a safe design for the entire system, and to avoid situations in which a malfunction or failure of such TOSHIBA products could cause loss of human life, bodily injury or damage to property.
In developing your designs, please ensure that TOSHIBA products are used within specified operating ranges as set forth in the most recent TOSHIBA products specifications. Also, please keep in mind the precautions and conditions set forth in the "Handling Guide for Semiconductor Devices," or "TOSHIBA Semiconductor Reliability Handbook" etc..
- The TOSHIBA products listed in this document are intended for usage in general electronics applications (computer, personal equipment, office equipment, measuring equipment, industrial robotics, domestic appliances, etc.). These TOSHIBA products are neither intended nor warranted for usage in equipment that requires extraordinarily high quality and/or reliability or a malfunction or failure of which may cause loss of human life or bodily injury ("Unintended Usage"). Unintended Usage include atomic energy control instruments, airplane or spaceship instruments, transportation instruments, traffic signal instruments, combustion control instruments, medical instruments, all types of safety devices, etc.. Unintended Usage of TOSHIBA products listed in this document shall be made at the customer's own risk.
- The information contained herein is presented only as a guide for the applications of our products. No responsibility is assumed by TOSHIBA CORPORATION for any infringements of intellectual property or other rights of the third parties which may result from its use. No license is granted by implication or otherwise under any intellectual property or other rights of TOSHIBA CORPORATION or others.
- The information contained herein is subject to change without notice.