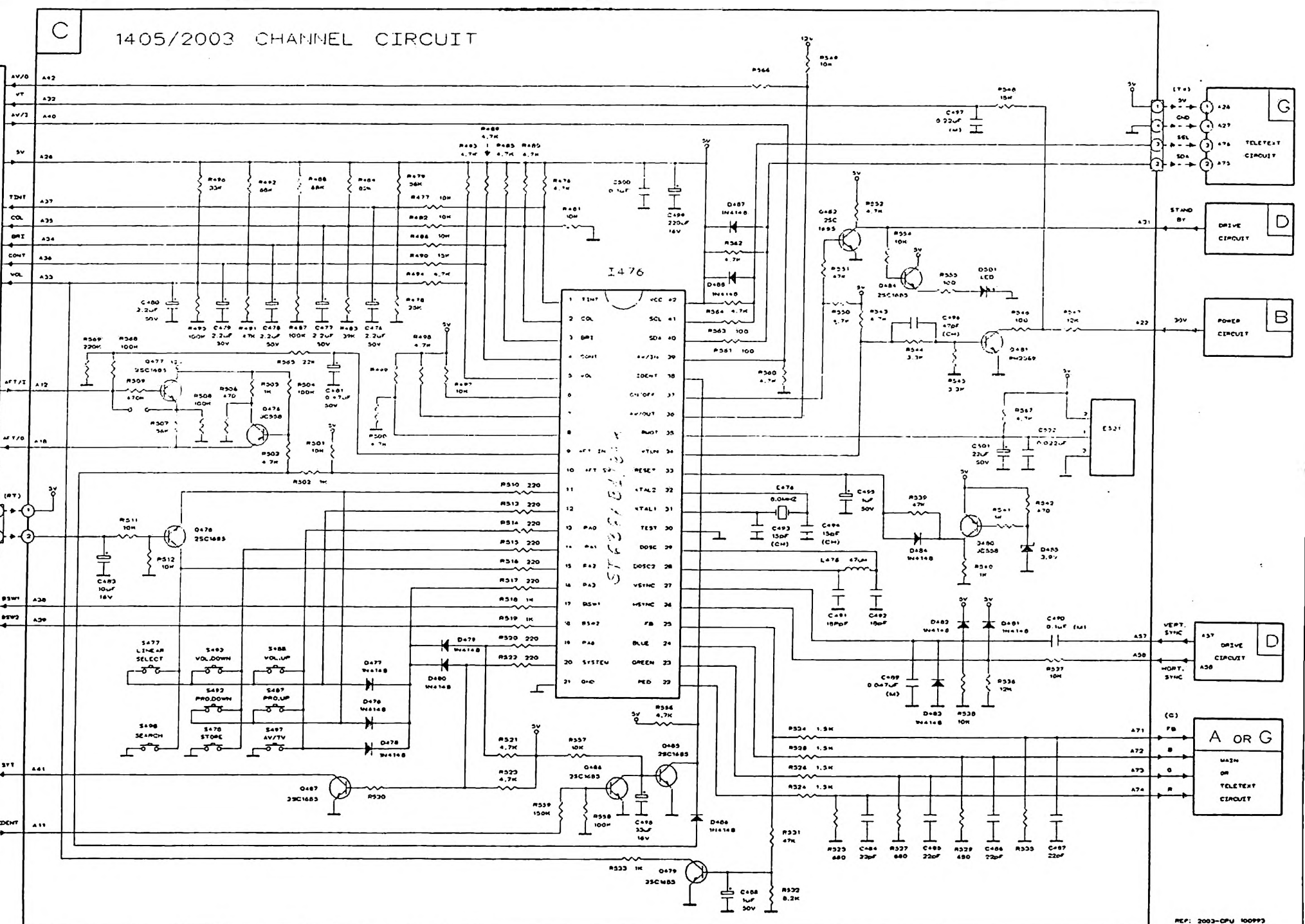


1405/2003 CHANNEL CIRCUIT

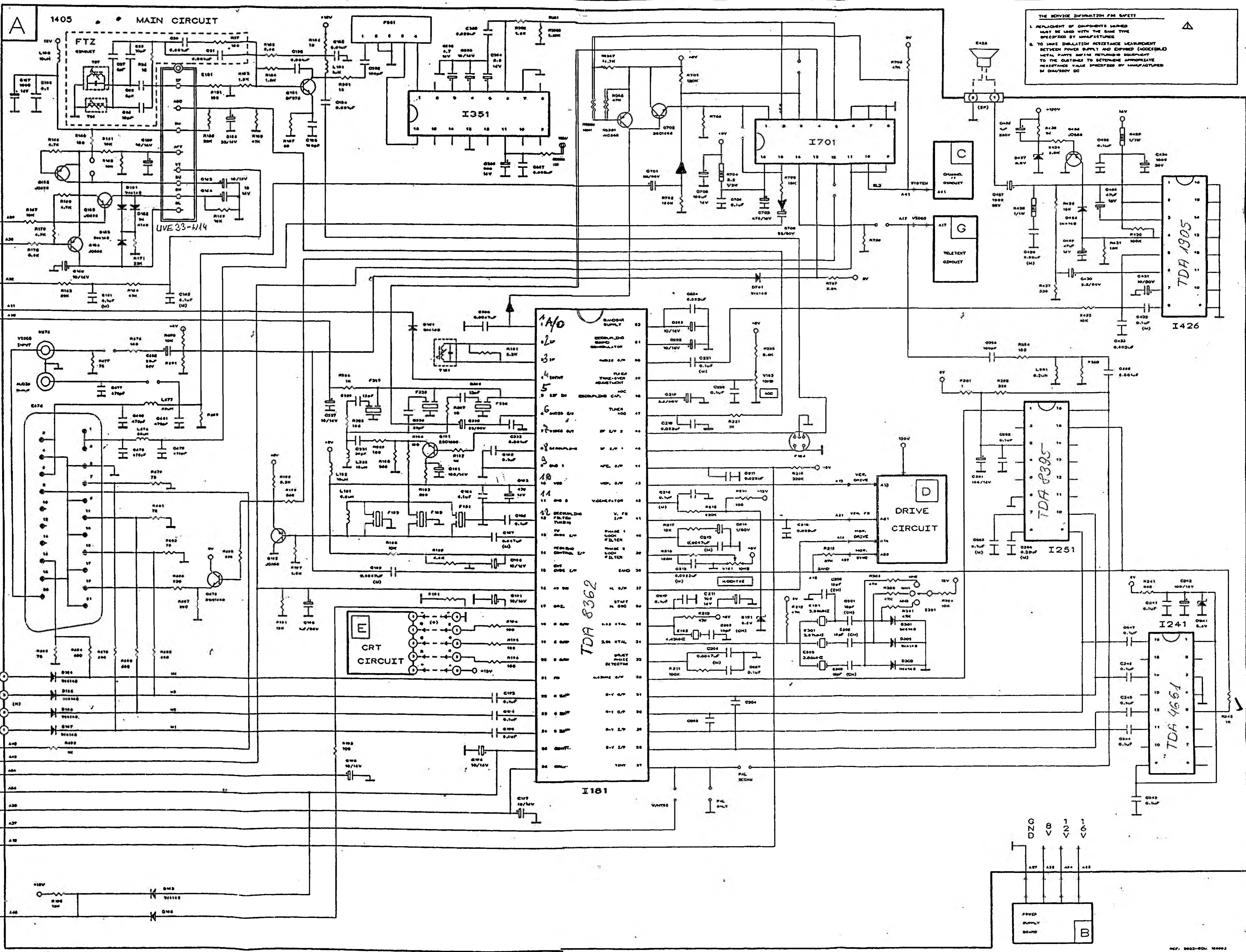
MAIN CHANNEL

POWER CIRCUIT

MAIN CHANNEL



THE SERVICE INFORMATION FOR SAFETY:
 1. REPLACEMENT OF COMPONENTS LISTED MAY BE MADE WITH THE SAME TYPE SPECIFIED BY MANUFACTURERS.
 2. TO AVOID SHOCK HAZARD, DISCONNECT BETWEEN POWER SUPPLY AND CHASSIS (GROUNDED METAL PARTS) BEFORE RETURNING EQUIPMENT TO THE CUSTOMER TO DETERMINE APPROPRIATE PRECAUTIONS TO BE TAKEN BY CUSTOMER TO AVOID SHOCK HAZARD.



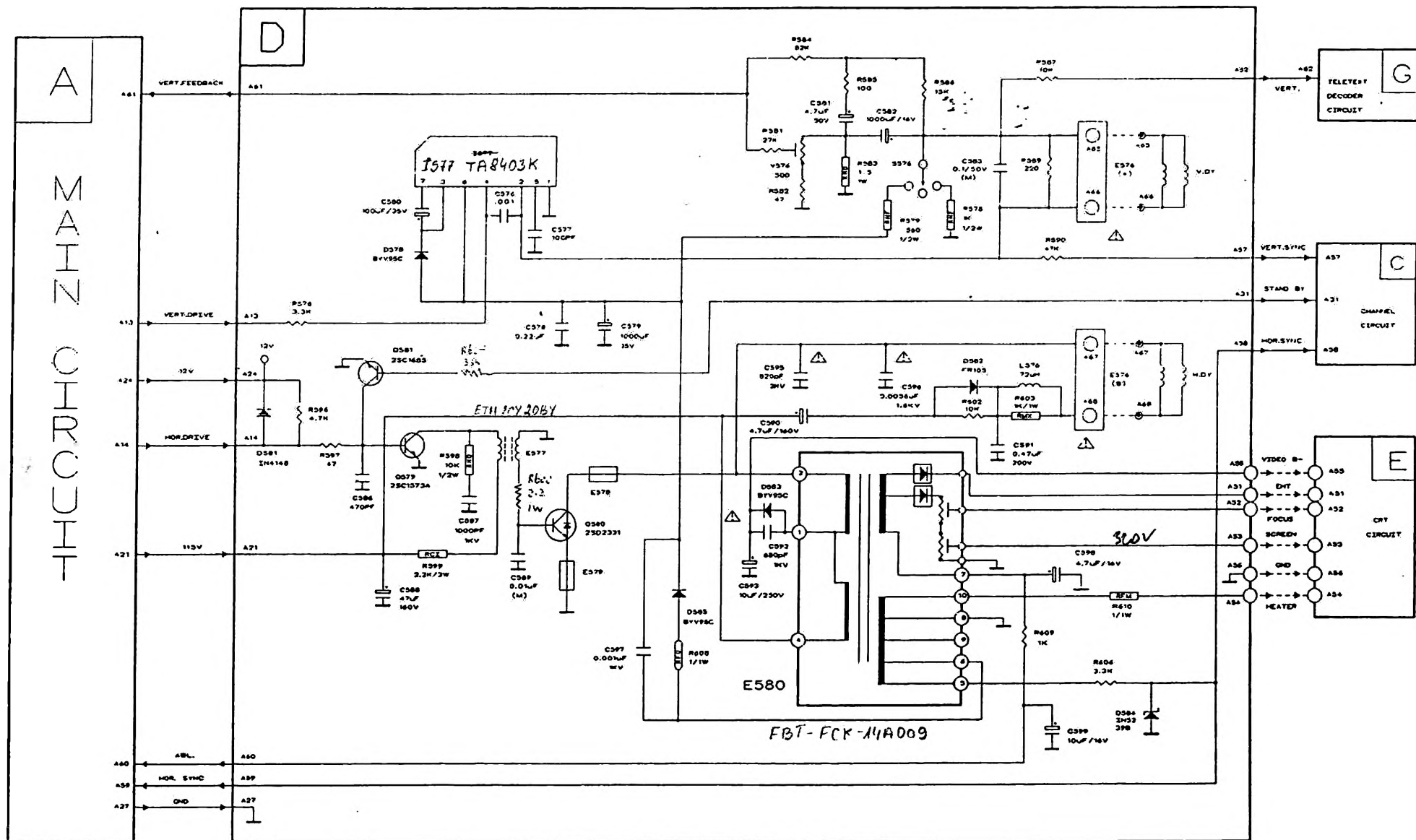
CHANNEL CIRCUIT

CRT CIRCUIT

DRIVE CIRCUIT

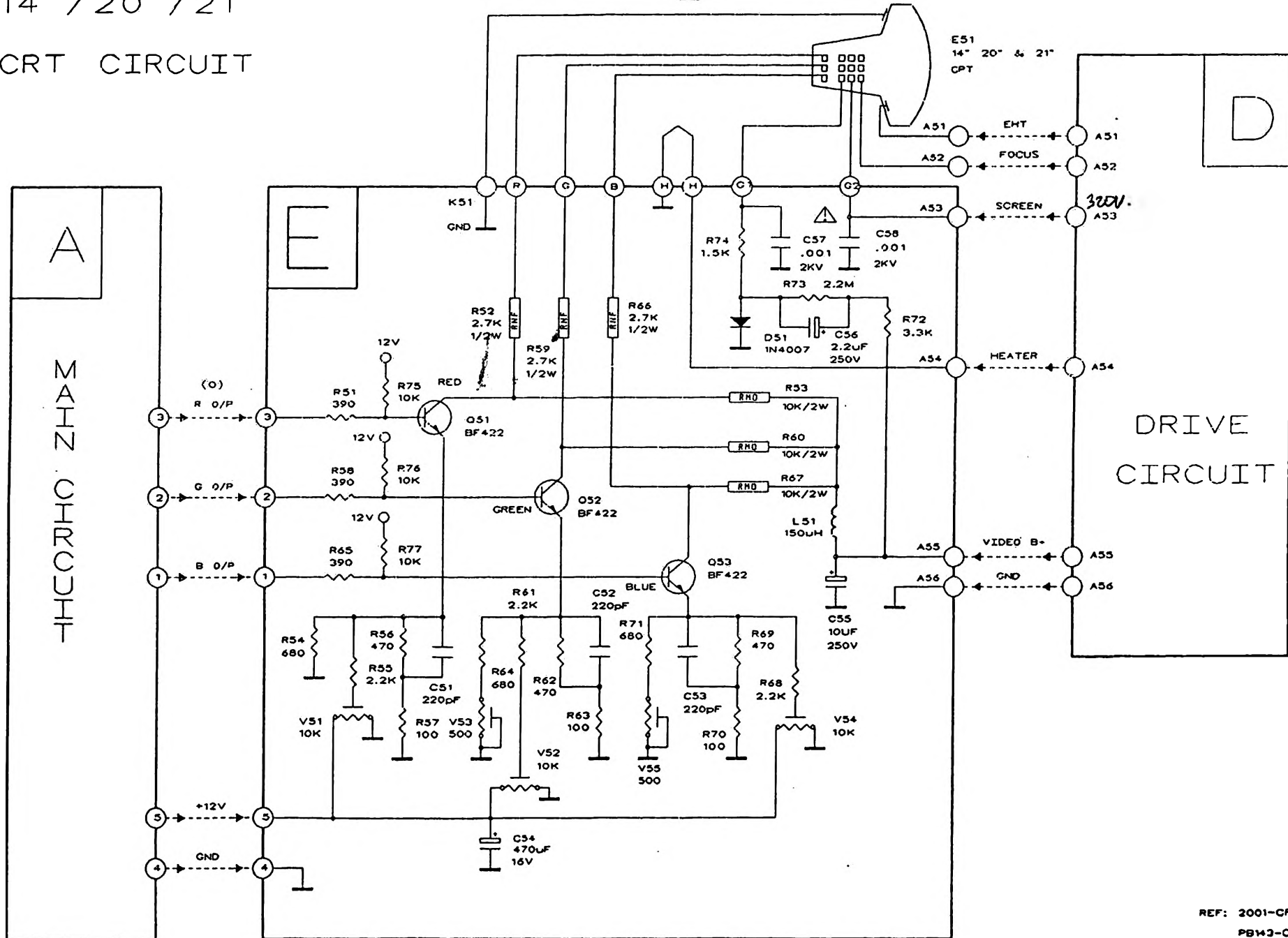
POWER SUPPLY BOARD

1405 DRIVE CIRCUIT



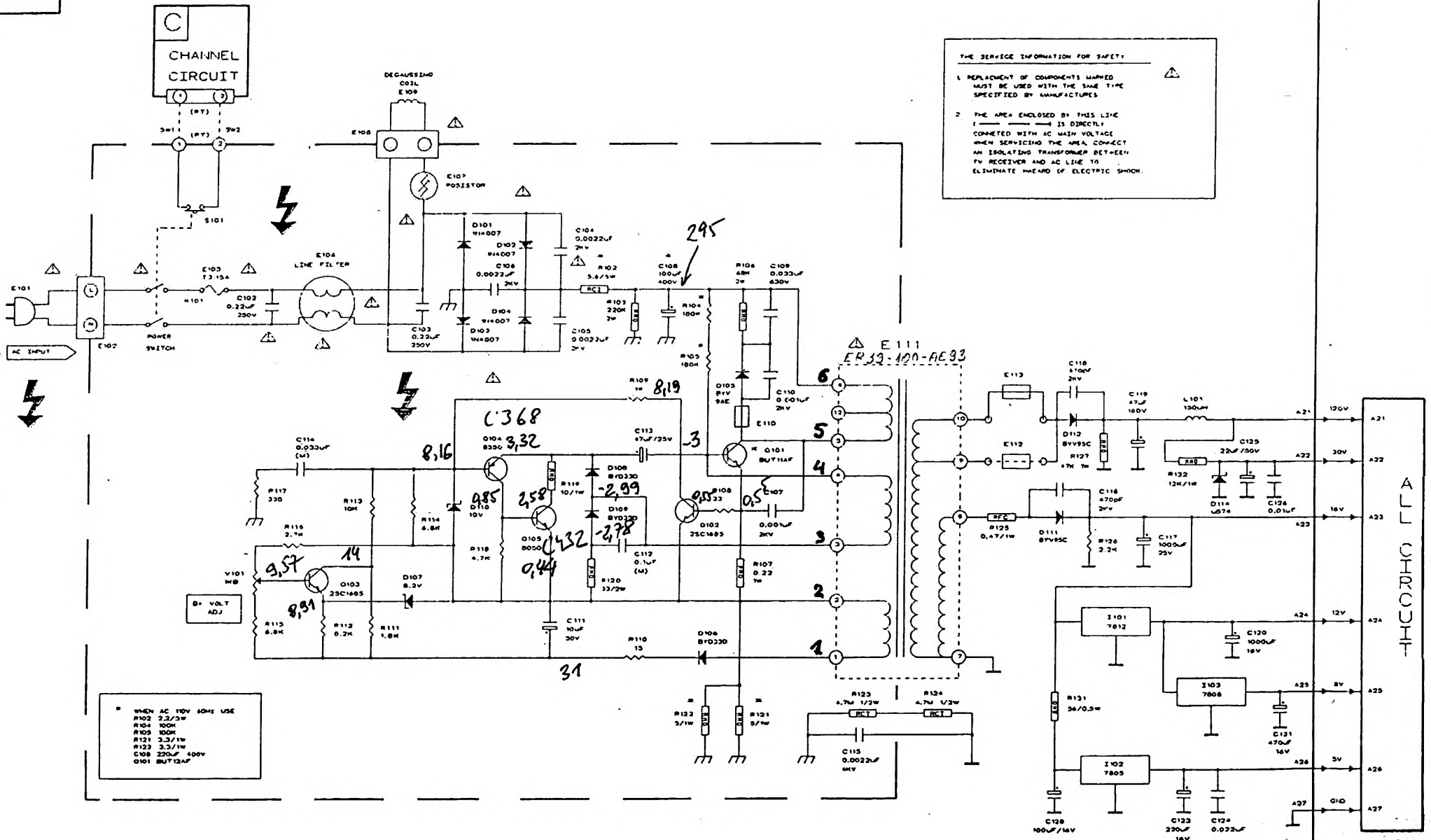
14" / 20" / 21"

CRT CIRCUIT



B

1405 /2003 POWER SUPPLY CIRCUIT



THE SERVICE INFORMATION FOR SAFETY

1. REPLACEMENT OF COMPONENTS MARKED MUST BE USED WITH THE SAME TYPE SPECIFIED BY MANUFACTURER.
2. THE AREA ENCLOSED BY THIS LINE IS DIRECTLY CONNECTED WITH AC MAIN VOLTAGE WHEN SERVICING THE AREA, CONNECT AN ISOLATING TRANSFORMER BETWEEN TV RECEIVER AND AC LINE TO ELIMINATE RISK OF ELECTRIC SHOCK.

WHEN AC 110V 60Hz USE
 R102 2.2/3W
 R104 100K
 R105 100K
 R121 0.3/1W
 R122 3.3/1W
 C108 220µF 600V
 D101 BUT11AF